



Reliable

Redundant level monitoring

Cost effective

Low maintenance costs

User friendly

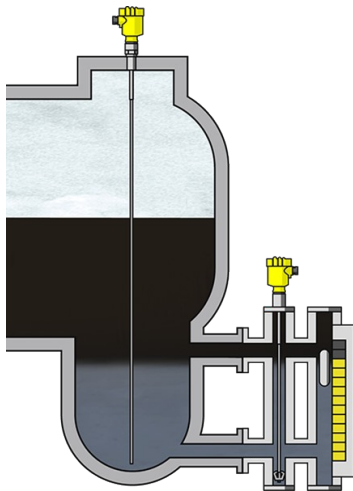
Easy mounting on standard tanks

Sour water stripper

Interface measurement in the sour water stripper

Safe and reliable measurement of the separation layers in the sour water stripper is extremely important in preventing sour water from accidentally getting into other parts of the plant. Sour water is highly corrosive and can cause serious damage over time, leading to safety problems in other process vessels and pipes. The sour water discharged from the stripper is delivered to the desulphurisation plant for further processing.

[More details](#)



VEGAFLEX 81

Continuous interface measurement with guided radar

- No maintenance necessary because there are no moving parts
- Simultaneous detection of the total level of liquid and the Interface
- Reliable measurement results independent of fluctuations in density

[Show Product](#)

VEGAFLEX 81 in a bypass with magnetic level indicator

A combination of guided radar sensor and magnetic level indicator for reliable monitoring of the separation layer

- Easy mounting on existing tank Connections
- Delivery of a complete measuring point already calibrated at the factory

[Show Product](#)

PRO

VEGAFLEX 81

[Show Product](#)



Measuring range - Distance

75 m

Process temperature

-60 ... 200 °C

Process pressure

-1 ... 40 bar

Accuracy

± 2 mm

Version

Basic version for exchangeable cable ø 2; ø 4 mm
 Basic version for exchangeable rod ø 8 mm
 Basic version for exchangeable rod ø 12 mm
 Coax version ø 21.3 mm for ammonia application
 Coax version ø 21.3 mm with single hole
 Coax version ø 21.3 mm with multiple hole
 Coax version ø 42.2 mm with multiple hole
 Exchangeable rod ø 8 mm
 Exchangeable rod ø 12 mm
 Exchangeable cable ø 2 mm with gravity weight
 Exchangeable cable ø 4 mm with gravity weight
 Exchangeable cable ø 2 mm with centering weight
 Exchangeable cable ø 4 mm with centering weight
 Exchangeable cable ø 4 mm without weight
 exchangeable, PFA-coated cable ø4 mm with non-coated centering weight

Materials, wetted parts

PFA
 316L
 Alloy C22 (2.4602)
 Alloy 400 (2.4360)
 Alloy C276 (2.4819)
 Duplex (1.4462)
 304L

Threaded connection

≥ G¾, ≥ ¾ NPT

Flange connection

≥ DN25, ≥ 1"

Seal material

EPDM
 FKM
 FFKM
 Silicone FEP coated
 Borosilicate glass

Housing material

Plastic
 Aluminium
 Stainless steel (precision casting)
 Stainless steel (electropolished)

PRO

VEGAFLEX 81 in a bypass with magnetic level indicator

[Show Product](#)



Measuring range - Distance

75 m

Process temperature

-60 ... 200 °C

Process pressure

-1 ... 40 bar

Accuracy

± 2 mm

Version

Basic version for exchangeable cable ø 2; ø 4 mm
 Basic version for exchangeable rod ø 8 mm
 Basic version for exchangeable rod ø 12 mm
 Coax version ø 21.3 mm for ammonia application
 Coax version ø 21.3 mm with single hole
 Coax version ø 21.3 mm with multiple hole
 Coax version ø 42.2 mm with multiple hole
 Exchangeable rod ø 8 mm
 Exchangeable rod ø 12 mm
 Exchangeable cable ø 2 mm with gravity weight
 Exchangeable cable ø 4 mm with gravity weight
 Exchangeable cable ø 2 mm with centering weight
 Exchangeable cable ø 4 mm with centering weight
 Exchangeable cable ø 4 mm without weight
 exchangeable, PFA-coated cable ø4 mm with non-coated centering weight

Materials, wetted parts

PFA
 316L
 Alloy C22 (2.4602)
 Alloy 400 (2.4360)
 Alloy C276 (2.4819)
 Duplex (1.4462)
 304L

Threaded connection

≥ G¾, ≥ ¾ NPT

Flange connection

≥ DN25, ≥ 1"

Seal material

EPDM
 FKM
 FFKM
 Silicone FEP coated
 Borosilicate glass

Housing material

Plastic
 Aluminium
 Stainless steel (precision casting)
 Stainless steel (electropolished)