



Reliable

Reliable measurement of the interface
(separation layer)

Cost effective

Maintenance-free operation

User friendly

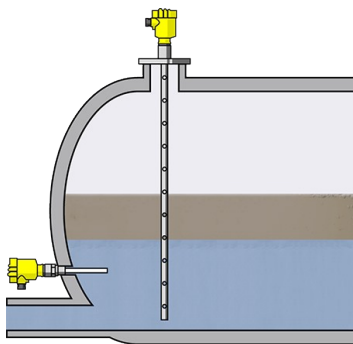
Easy setup and commissioning

Separation vessel

Level measurement and point level detection in a separator vessel tank for recovery of raw materials

These processes often involve the separation of water-based media from hydrocarbons. In most applications, the upper, lighter medium is electrically non-conductive. Guided radar level measurement makes use of the effect that non-conductive media allow some of the radar energy to pass through, thus enabling a measurement of the interface between the water-based lower medium and the hydrocarbons.

[More details](#)



VEGAFLEX 81

Level and interface measurement with guided radar in the separation tank

- Total level and position of the interface are reliably detected with a rod or coaxial sensor
- Separation layer thicknesses from 50 mm can be measured
- VEGAFLEX 81 measures reliably and accurately, even in emulsion phases
- Simple setup and maintenance-free operation

[Show Product](#)



VEGACAP 63

Capacitive level switch for conductive liquids for level measurement in the separation tank

- Reliable differentiation between conductive and non-conductive media
- Reliable level measurement of the separated water quantity for disposal
- Simple mounting and calibration

[Show Product](#)

PRO

VEGAFLEX 81

[Show Product](#)



Measuring range - Distance

75 m

Process temperature

-60 ... 200 °C

Process pressure

-1 ... 40 bar

Accuracy

± 2 mm

Version

Basic version for exchangeable cable \varnothing 2; \varnothing 4 mm
 Basic version for exchangeable rod \varnothing 8 mm
 Basic version for exchangeable rod \varnothing 12 mm
 Coax version \varnothing 21.3 mm for ammonia application
 Coax version \varnothing 21.3 mm with single hole
 Coax version \varnothing 21.3 mm with multiple hole
 Coax version \varnothing 42.2 mm with multiple hole
 Exchangeable rod \varnothing 8 mm
 Exchangeable rod \varnothing 12 mm
 Exchangeable cable \varnothing 2 mm with gravity weight
 Exchangeable cable \varnothing 4 mm with gravity weight
 Exchangeable cable \varnothing 2 mm with centering weight
 Exchangeable cable \varnothing 4 mm with centering weight
 Exchangeable cable \varnothing 4 mm without weight
 exchangeable, PFA-coated cable \varnothing 4 mm with non-coated centering weight

Materials, wetted parts

PFA
 316L
 Alloy C22 (2.4602)
 Alloy 400 (2.4360)
 Alloy C276 (2.4819)
 Duplex (1.4462)
 304L

Threaded connection

≥ G $\frac{3}{4}$, ≥ $\frac{3}{4}$ NPT

Flange connection

≥ DN25, ≥ 1"

Seal material

EPDM
 FKM
 FFKM
 Silicone FEP coated
 Borosilicate glass

Housing material

Plastic
 Aluminium
 Stainless steel (precision casting)
 Stainless steel (electropolished)

PRO

VEGACAP 63

[Show Product](#)



Measuring range - Distance

-

Process temperature

-50 ... 200 °C

Process pressure

-1 ... 64 bar

Version

PE insulation
 PE insulation and concentric tube
 PTFE insulation
 PTFE insulation with screening tube PN1
 PTFE insulation with screening tube PN16
 PTFE insulation with screening tube PN40
 PTFE insulation and concentric tube

Materials, wetted parts

PTFE
 316L
 Alloy C22 (2.4602)
 Alloy 400 (2.4360)
 PE
 Steel C22.8

Threaded connection

≥ G $\frac{1}{2}$, ≥ $\frac{1}{2}$ NPT

Flange connection

≥ DN25, ≥ 1"

Seal material

no media contact

Housing material

Plastic
 Aluminium
 Stainless steel (precision casting)
 Stainless steel (electropolished)

Protection rating

IP66/IP68 (0,2 bar)
 IP66/IP67
 IP66/IP68 (1 bar)