

### Reliable

Reliable measurement of the interface  
(separation layer)

### Cost effective

Maintenance-free operation

### User friendly

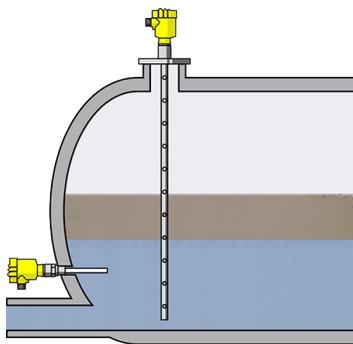
Easy setup and commissioning

## Separation vessel

### Level measurement and point level detection in a separator vessel tank for recovery of raw materials

These processes often involve the separation of water-based media from hydrocarbons. In most applications, the upper, lighter medium is electrically non-conductive. Guided radar level measurement makes use of the effect that non-conductive media allow some of the radar energy to pass through, thus enabling a measurement of the interface between the water-based lower medium and the hydrocarbons.

[More details](#)



### VEGAFLEX 81

Level and interface measurement with guided radar in the separation tank

- Total level and position of the interface are reliably detected with a rod or coaxial sensor
- Separation layer thicknesses from 50 mm can be measured
- VEGAFLEX 81 measures reliably and accurately, even in emulsion phases
- Simple setup and maintenance-free operation

[Show Product](#)



### VEGACAP 63

Capacitive level switch for conductive liquids for level measurement in the separation tank

- Reliable differentiation between conductive and non-conductive media
- Reliable level measurement of the separated water quantity for disposal
- Simple mounting and calibration

[Show Product](#)

PRO

## VEGAFLEX 81

[Show Product](#)



### Measuring range - Distance

75 m

### Process temperature

-60 ... 200 °C

### Process pressure

-1 ... 40 bar

### Accuracy

± 2 mm

### Version

Basic version for exchangeable cable  $\varnothing$  2;  $\varnothing$  4 mm  
 Basic version for exchangeable rod  $\varnothing$  8 mm  
 Basic version for exchangeable rod  $\varnothing$  12 mm  
 Coax version  $\varnothing$  21.3 mm for ammonia application  
 Coax version  $\varnothing$  21.3 mm with single hole  
 Coax version  $\varnothing$  21.3 mm with multiple hole  
 Coax version  $\varnothing$  42.2 mm with multiple hole  
 Exchangeable rod  $\varnothing$  8 mm  
 Exchangeable rod  $\varnothing$  12 mm  
 Exchangeable cable  $\varnothing$  2 mm with gravity weight  
 Exchangeable cable  $\varnothing$  4 mm with gravity weight  
 Exchangeable cable  $\varnothing$  2 mm with centering weight  
 Exchangeable cable  $\varnothing$  4 mm with centering weight  
 Exchangeable cable  $\varnothing$  4 mm without weight  
 exchangeable, PFA-coated cable  $\varnothing$  4 mm with non-coated centering weight

### Materials, wetted parts

PFA  
 316L  
 Alloy C22 (2.4602)  
 Alloy 400 (2.4360)  
 Alloy C276 (2.4819)  
 Duplex (1.4462)  
 304L

### Threaded connection

≥ G $\frac{3}{4}$ , ≥  $\frac{3}{4}$  NPT

### Flange connection

≥ DN25, ≥ 1"

### Seal material

EPDM  
 FKM  
 FFKM  
 Silicone FEP coated  
 Borosilicate glass

### Housing material

Plastic  
 Aluminium  
 Stainless steel (precision casting)  
 Stainless steel (electropolished)

PRO

## VEGACAP 63

[Show Product](#)



### Measuring range - Distance

-

### Process temperature

-50 ... 200 °C

### Process pressure

-1 ... 64 bar

### Version

PE insulation  
 PE insulation and concentric tube  
 PTFE insulation  
 PTFE insulation with screening tube PN1  
 PTFE insulation with screening tube PN16  
 PTFE insulation with screening tube PN40  
 PTFE insulation and concentric tube

### Materials, wetted parts

PTFE  
 316L  
 Alloy C22 (2.4602)  
 Alloy 400 (2.4360)  
 PE  
 Steel C22.8

### Threaded connection

≥ G $\frac{1}{2}$ , ≥  $\frac{1}{2}$  NPT

### Flange connection

≥ DN25, ≥ 1"

### Seal material

no media contact

### Housing material

Plastic  
 Aluminium  
 Stainless steel (precision casting)  
 Stainless steel (electropolished)

### Protection rating

IP66/IP68 (0,2 bar)  
 IP66/IP67  
 IP66/IP68 (1 bar)