

Operating Instructions

Pressure transmitter with metallic
measuring cell

VEGABAR 81

Secondary Device for electronic differential
pressure

With SIL qualification



Document ID: 48045



VEGA

Contents

1	About this document	4
1.1	Function	4
1.2	Target group	4
1.3	Symbols used	4
2	For your safety	5
2.1	Authorised personnel	5
2.2	Appropriate use	5
2.3	Warning about incorrect use	5
2.4	General safety instructions	5
2.5	Conformity	5
2.6	SIL qualification according to IEC 61508	6
2.7	NAMUR recommendations	6
2.8	Installation and operation in the USA and Canada	6
2.9	Environmental instructions	6
3	Product description	7
3.1	Configuration	7
3.2	Principle of operation	7
3.3	Supplementary cleaning procedures	10
3.4	Packaging, transport and storage	10
3.5	Accessories	11
4	Mounting	12
4.1	General instructions	12
4.2	Instructions for oxygen applications	14
4.3	Ventilation and pressure compensation	14
4.4	Combination Primary - Secondary	16
4.5	Level measurement	17
4.6	Differential pressure measurement	18
4.7	Interface measurement	19
4.8	Density measurement	20
4.9	Density-compensated level measurement	21
4.10	External housing	23
5	Connecting to power supply	24
5.1	Preparing the connection	24
5.2	Connecting	25
5.3	Single chamber housing	26
5.4	External housing with version IP68 (25 bar)	27
5.5	Connection example	29
6	Functional safety (SIL)	30
6.1	Objective	30
6.2	SIL qualification	30
6.3	Application area	30
6.4	Safety concept of the parameterization	31
7	Set up with the display and adjustment module	33
7.1	Parameter adjustment	33
7.2	Menu overview	46
8	Diagnosis, asset management and service	49
8.1	Maintenance	49

8.2	Rectify faults.....	49
8.3	Exchanging the electronics module.....	50
8.4	Exchange process module on version IP68 (25 bar)	50
8.5	How to proceed if a repair is necessary.....	51
9	Dismount.....	52
9.1	Dismounting steps.....	52
9.2	Disposal	52
10	Supplement	53
10.1	Technical data	53
10.2	Dimensions	61
10.3	Industrial property rights.....	69
10.4	Trademark	69



Safety instructions for Ex areas:

Take note of the Ex specific safety instructions for Ex applications. These instructions are attached as documents to each instrument with Ex approval and are part of the operating instructions.

Editing status: 2023-09-01

1 About this document

1.1 Function

This instruction provides all the information you need for mounting, connection and setup as well as important instructions for maintenance, fault rectification, safety and the exchange of parts. Please read this information before putting the instrument into operation and keep this manual accessible in the immediate vicinity of the device.

1.2 Target group

This operating instructions manual is directed to trained personnel. The contents of this manual must be made available to the qualified personnel and implemented.

1.3 Symbols used



Document ID

This symbol on the front page of this instruction refers to the Document ID. By entering the Document ID on www.vega.com you will reach the document download.



Information, note, tip: This symbol indicates helpful additional information and tips for successful work.



Note: This symbol indicates notes to prevent failures, malfunctions, damage to devices or plants.



Caution: Non-observance of the information marked with this symbol may result in personal injury.



Warning: Non-observance of the information marked with this symbol may result in serious or fatal personal injury.



Danger: Non-observance of the information marked with this symbol results in serious or fatal personal injury.



Ex applications

This symbol indicates special instructions for Ex applications.



List

The dot set in front indicates a list with no implied sequence.



Sequence of actions

Numbers set in front indicate successive steps in a procedure.



Disposal

This symbol indicates special instructions for disposal.

2 For your safety

2.1 Authorised personnel

All operations described in this documentation must be carried out only by trained and authorized personnel.

During work on and with the device, the required personal protective equipment must always be worn.

2.2 Appropriate use

As Secondary Device, the VEGABAR 81 is part of an electronic differential pressure measurement.

You can find detailed information about the area of application in chapter " *Product description*".

Operational reliability is ensured only if the instrument is properly used according to the specifications in the operating instructions manual as well as possible supplementary instructions.

2.3 Warning about incorrect use

Inappropriate or incorrect use of this product can give rise to application-specific hazards, e.g. vessel overfill through incorrect mounting or adjustment. Damage to property and persons or environmental contamination can result. Also, the protective characteristics of the instrument can be impaired.

2.4 General safety instructions

This is a state-of-the-art instrument complying with all prevailing regulations and directives. The instrument must only be operated in a technically flawless and reliable condition. The operating company is responsible for the trouble-free operation of the instrument. When measuring aggressive or corrosive media that can cause a dangerous situation if the instrument malfunctions, the operating company has to implement suitable measures to make sure the instrument is functioning properly.

The safety instructions in this operating instructions manual, the national installation standards as well as the valid safety regulations and accident prevention rules must be observed.

For safety and warranty reasons, any invasive work on the device beyond that described in the operating instructions manual may be carried out only by personnel authorised by us. Arbitrary conversions or modifications are explicitly forbidden. For safety reasons, only the accessory specified by us must be used.

To avoid any danger, the safety approval markings and safety tips on the device must also be observed.

2.5 Conformity

The device complies with the legal requirements of the applicable country-specific directives or technical regulations. We confirm conformity with the corresponding labelling.

The corresponding conformity declarations can be found on our homepage.

Due to the design of its process fittings, the device does not subject of EU pressure device directive if it is operated at process pressures ≤ 200 bar. ¹⁾

2.6 SIL qualification according to IEC 61508

The Safety Integrity Level (SIL) of an electronic system is used to assess the reliability of integrated safety functions.

For detailed specification of the safety requirements, multiple SIL levels are specified according to safety standard IEC 61508. You can find detailed information in chapter " *Functional safety (SIL)*" of the operating instructions.

The instrument meets the specifications of IEC 61508: 2010 (Edition 2). It is qualified for single-channel operation up to SIL2. The instrument can be used homogeneously redundant up to SIL3 in multi-channel architecture with HFT 1.

2.7 NAMUR recommendations

As a Secondary Device, the device is part of an electronic differential pressure measurement. It fulfils the requirements of the NAMUR recommendations of the respective Primary Devices.

2.8 Installation and operation in the USA and Canada

This information is only valid for USA and Canada. Hence the following text is only available in the English language.

Installations in the US shall comply with the relevant requirements of the National Electrical Code (NEC - NFPA 70) (USA).

Installations in Canada shall comply with the relevant requirements of the Canadian Electrical Code (CEC Part) (Canada).

2.9 Environmental instructions

Protection of the environment is one of our most important duties. That is why we have introduced an environment management system with the goal of continuously improving company environmental protection. The environment management system is certified according to DIN EN ISO 14001.

Please help us fulfil this obligation by observing the environmental instructions in this manual:

- Chapter " *Packaging, transport and storage*"
- Chapter " *Disposal*"

¹⁾ Exception: Versions with measuring ranges from 250 bar. These are subject of the EU Pressure Device Directive.

3 Product description

3.1 Configuration

Scope of delivery

The scope of delivery encompasses:

- Pressure transmitter VEGABAR 81 - Secondary Device
- Ready-made connection cable, unassembled cable gland

The further scope of delivery encompasses:

- Documentation
 - Quick setup guide VEGABAR 81
 - Safety Manual (SIL)
 - Documentation instrument parameters (default values)
 - Documentation order-relating instrument parameters (deviation from default values)
 - Test certificate for pressure transmitters
 - Instructions for optional instrument features
 - Ex-specific "*Safety instructions*" (with Ex versions)
 - If necessary, further certificates



Information:

Optional instrument features are also described in this operating instructions manual. The respective scope of delivery results from the order specification.

Type label

The type label contains the most important data for identification and use of the instrument:

- Instrument type
- Information about approvals
- Configuration information
- Technical data
- Serial number of the instrument
- QR code for device identification
- Numerical code for Bluetooth access (optional)
- Manufacturer information

Documents and software

To find order data, documents or software related to your device, you have the following options:

- Move to "www.vega.com" and enter in the search field the serial number of your instrument.
- Scan the QR code on the type label.
- Open the VEGA Tools app and enter the serial number under "**Documentation**".

3.2 Principle of operation

Application area

VEGABAR 81 is suitable for applications in virtually all industries. It is used for the measurement of the following pressure types.

- Gauge pressure
- Absolute pressure
- Vacuum

Measured products

Measured products are gases, vapours and liquids.

The chemical seal systems of VEGABAR 81, which are optimally adapted to the process, also allow measurement of highly corrosive and hot products.

Measured variables

The electronic differential pressure measurement is suitable for the measurement of the following process variables:

- Level
- Flow
- Differential pressure
- Density
- Interface
- Level, density-compensated

Electronic differential pressure

The VEGABAR 81 Secondary Device is combined with a suitable sensor from the same device series to an electronic differential pressure measurement. The differential pressure measurement consists then of the Primary Device and Secondary Device.

**Information:**

The sensor versions "*Relative pressure climate-compensated*" as well as "*Double chamber housing*" are not suitable for connection of a Secondary Device.

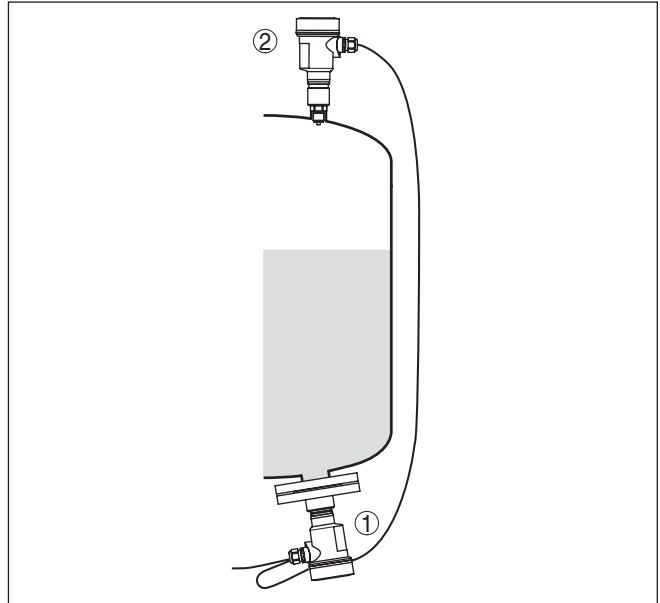


Fig. 1: Example, electronic differential pressure for level measurement in pressurized vessel

1 VEGABAR 81

2 VEGABAR 81, Secondary Device

The sensors are connected via a shielded four-wire cable. The measured value from the Secondary Device is read in and factored into the calculations. Power supply and parameter adjustment are carried out through the Primary Device.

You can find further information in chapter " *Combination Primary - Secondary* " of this operating instructions.



To reach the Safety Integrity Level (SIL) for the electronic differential pressure, both instruments must be SIL-qualified.

Measuring system

The process pressure acts on the sensor element via the isolating diaphragm. The process pressure causes a resistance change which is converted into a corresponding output signal and output as measured value.

Measuring ranges up to 40 bar: piezoresistive sensor element with a transmission liquid, measuring ranges from 100 bar: a dry strain gauge (DMS) sensor element.

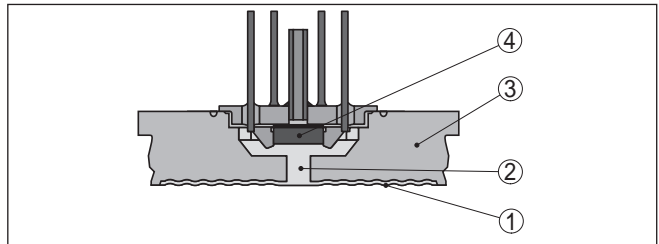


Fig. 2: Configuration of the measuring system with piezoresistive sensor element

- 1 Diaphragm
- 2 Isolating liquid
- 3 Base element
- 4 Sensor element

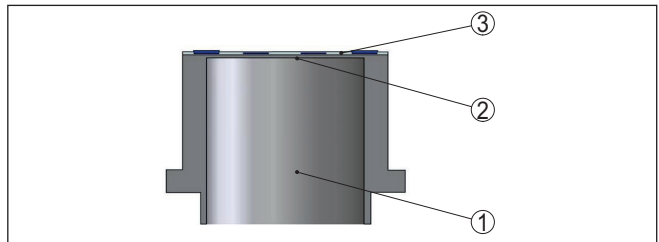


Fig. 3: Configuration of the measuring system with strain gauge (DMS) sensor element

- 1 Pressure cylinder
- 2 Process diaphragm
- 3 Sensor element

Pressure types

Relative pressure: the measuring cell is open to the atmosphere. The ambient pressure is detected in the measuring cell and compensated. It thus has no influence on the measured value.

Absolute pressure: the measuring cell contains vacuum and is encapsulated. The ambient pressure is not compensated and does hence influence the measured value.

Seal concept

The measuring system is completely welded and thus sealed against the process.

The process fitting is sealed against the process by a suitable seal. It must be provided by the customer, depending on the process fitting also included in the scope of delivery, see chapter " *Technical data*", " *Materials and weights*".

3.3 Supplementary cleaning procedures

The VEGABAR 81 is also available in the version " *Oil, grease and silicone-free*". These instruments have passed through a special cleaning procedure to remove oil, grease and paint-wetting impairment substances (PWIS).

The cleaning is carried out on all wetted parts as well as on surfaces accessible from outside. To keep the purity level, the instruments are immediately packed in plastic foil after the cleaning process. The purity level remains as long as the instrument is kept in the closed original packaging.



Caution:

The VEGABAR 81 in this version may not be used in oxygen applications. For this purpose, instruments are available in the special version " *Oil, grease and silicone-free for oxygen applications*".

3.4 Packaging, transport and storage

Packaging

Your instrument was protected by packaging during transport. Its capacity to handle normal loads during transport is assured by a test based on ISO 4180.

The packaging consists of environment-friendly, recyclable cardboard. For special versions, PE foam or PE foil is also used. Dispose of the packaging material via specialised recycling companies.

Transport

Transport must be carried out in due consideration of the notes on the transport packaging. Nonobservance of these instructions can cause damage to the device.

Transport inspection

The delivery must be checked for completeness and possible transit damage immediately at receipt. Ascertained transit damage or concealed defects must be appropriately dealt with.

Storage

Up to the time of installation, the packages must be left closed and stored according to the orientation and storage markings on the outside.

Unless otherwise indicated, the packages must be stored only under the following conditions:

- Not in the open
- Dry and dust free

- Not exposed to corrosive media
 - Protected against solar radiation
 - Avoiding mechanical shock and vibration
- Storage and transport temperature**
- Storage and transport temperature see chapter " *Supplement - Technical data - Ambient conditions*"
 - Relative moisture 20 ... 85 %

Lifting and carrying With instrument weights of more than 18 kg (39.68 lbs) suitable and approved equipment must be used for lifting and carrying.

3.5 Accessories

The instructions for the listed accessories can be found in the download area on our homepage.

Protective cover The protective cover protects the sensor housing against soiling and intense heat from solar radiation.

Flanges Screwed flanges are available in different versions according to the following standards: DIN 2501, EN 1092-1, BS 10, ASME B 16.5, JIS B 2210-1984, GOST 12821-80.

Welded socket, threaded and hygienic adapter Welded sockets are used to connect the devices to the process. Threaded and hygienic adapters enable simple adaptation of devices with standard threaded fittings to process-side hygiene connections.

4 Mounting

4.1 General instructions

Process conditions



Note:

For safety reasons, the instrument must only be operated within the permissible process conditions. You can find detailed information on the process conditions in chapter " *Technical data*" of the operating instructions or on the type label.

Hence make sure before mounting that all parts of the instrument exposed to the process are suitable for the existing process conditions.

These are mainly:

- Active measuring component
- Process fitting
- Process seal

Process conditions in particular are:

- Process pressure
- Process temperature
- Chemical properties of the medium
- Abrasion and mechanical influences

Protection against moisture

Protect your instrument against moisture ingress through the following measures:

- Use a suitable connection cable (see chapter " *Connecting to power supply*")
- Tighten the cable gland or plug connector
- Lead the connection cable downward in front of the cable entry or plug connector

This applies mainly to outdoor installations, in areas where high humidity is expected (e.g. through cleaning processes) and on cooled or heated vessels.



Note:

Make sure that during installation or maintenance no moisture or dirt can get inside the instrument.

To maintain the housing protection, make sure that the housing lid is closed during operation and locked, if necessary.

Screwing in

Devices with threaded fitting are screwed into the process fitting with a suitable wrench via the hexagon.

See chapter " *Dimensions*" for wrench size.



Warning:

The housing or the electrical connection may not be used for screwing in! Depending on the device version, tightening can cause damage, e. g. to the rotation mechanism of the housing.

Vibrations

Avoid damages on the device by lateral forces, for example by vibrations. It is thus recommended to fix the devices with process fitting

thread G½ of plastic at the installation site via a suitable measuring instrument holder.

If there is strong vibration at the mounting location, the instrument version with external housing should be used. See chapter " *External housing*".

Permissible process pressure (MWP) - Device

The permissible process pressure range is specified by "MWP" (Maximum Working Pressure) on the type label, see chapter " *Structure*". The MWP takes the element of the measuring cell and processing fitting combination with the weakest pressure into consideration and may applied permanently. The specification refers to a reference temperature of +20 °C (+68 °F). It also applies when a measuring cell with a higher measuring range than the permissible pressure range of the process fitting is installed order-related.

In addition, a temperature derating of the process fitting, e. g. with flanges, can limit the permissible process pressure range according to the respective standard.



Note:

In order to prevent damage to the device, a test pressure may only exceed the specified MWP briefly by 1.5 times at reference temperature. The pressure stage of the process fitting as well as the overload resistance of the measuring cell are taken into consideration here (see chapter " *Technical Data*").

Permissible process pressure (MWP) - Mounting accessory

The permissible process pressure range is stated on the type label. The instrument should only be operated with these pressures if the mounting accessory used also fulfils these values. This should be ensured by suitable flanges, welded sockets, tension rings with Clamp connections, sealings, etc.

Temperature limits

Higher process temperatures often mean also higher ambient temperatures. Make sure that the upper temperature limits stated in chapter " *Technical data*" for the environment of the electronics housing and connection cable are not exceeded.

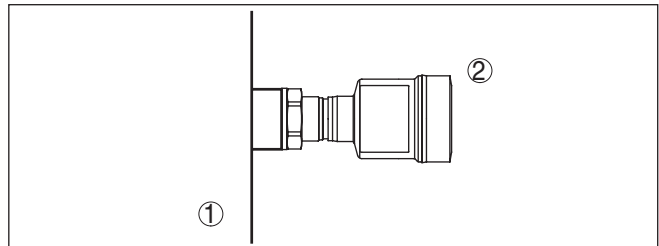


Fig. 4: Temperature ranges

- 1 Process temperature
- 2 Ambient temperature

4.2 Instructions for oxygen applications



Warning:

As an oxidising agent, oxygen can cause or intensify fires. Oils, grease, some plastics and dirt can burn explosively on contact with oxygen. There is a risk of serious personal injury or damage to property.

Therefore, to avoid this, take the following precautions, for example:

- All components of the system - measuring instruments - must be cleaned in accordance with the requirements of recognized regulations or standards
- Depending on the seal material, certain temperatures and pressures must not be exceeded in oxygen applications, see chapter "Technical data"
- Devices for oxygen applications may only be unpacked from the PE foil just before assembly.
- Check whether the marking "O2" is visible on the process fitting after removing the protection for the process fitting
- Avoid any ingress of oil, grease and dirt

4.3 Ventilation and pressure compensation

Filter element - Function

The filter element in the electronics housing has the following functions:

- Ventilation of the electronics housing
- Atmospheric pressure compensation (with relative pressure measuring ranges)



Caution:

The filter element causes a time-delayed pressure compensation. When quickly opening/closing the housing cover, the measured value can change for approx. 5 s by up to 15 mbar.

For an effective ventilation, the filter element must be always free from buildup. In case of horizontal mounting, turn the housing so that the filter element points downward after the instrument is installed. This provides better protection against buildup.



Caution:

Do not use a high-pressure cleaner. The filter element could be damaged, which would allow moisture into the housing.

The following paragraphs describe how the filter element is arranged in the different instrument versions.

Filter element - Position

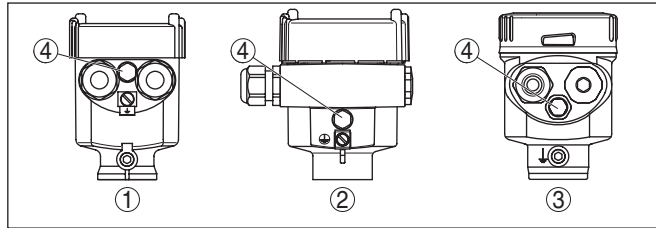


Fig. 5: Position of the filter element - non-Ex, Ex ia version

- 1 Plastic, stainless steel housing (precision casting)
- 2 Aluminium housing
- 3 Stainless steel housing (electropolished)
- 4 Filter element

With the following instruments a blind plug is installed instead of the filter element:

- Instruments in protection IP66/IP68 (1 bar) - ventilation via capillaries in non-detachable cable
- Instruments with absolute pressure

Filter element - Position Ex d version

→ Turn the metal ring in such a way that the filter element points downward after installation of the instrument. This provides better protection against buildup.

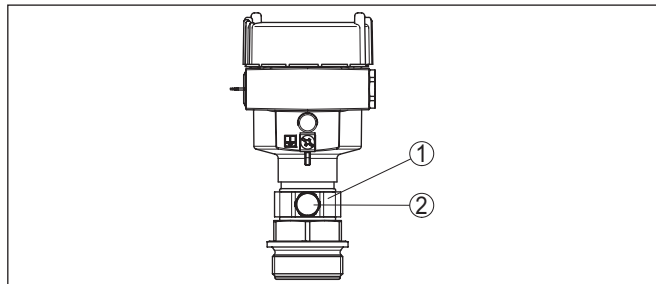


Fig. 6: Position of the filter element - Ex d version

- 1 Rotatable metal ring
- 2 Filter element

Instruments with absolute pressure have a blind plug mounted instead of the filter element.

Instruments with Second Line of Defense

The process assembly of instruments with Second Line of Defense (gastight leadthrough) is completely encapsulated. An absolute pressure measuring cell is used so that no ventilation is required.

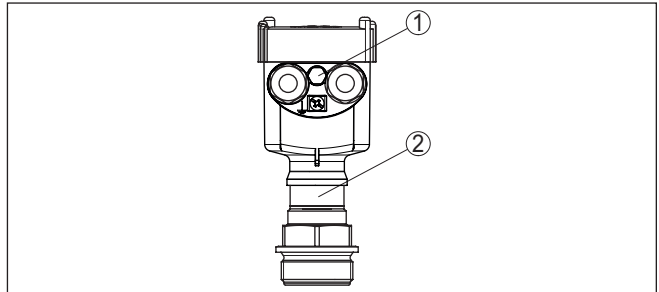


Fig. 7: Position of the filter element - gastight leadthrough

1 Filter element

Filter element - Position IP69K version

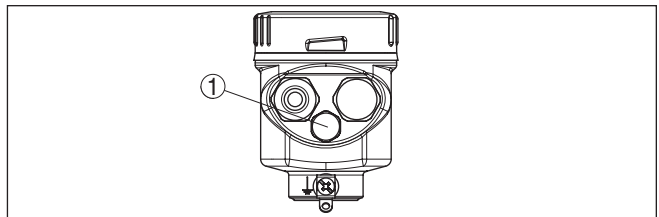


Fig. 8: Position of the filter element - IP69K version

1 Filter element

Instruments with absolute pressure have a blind plug mounted instead of the filter element.

4.4 Combination Primary - Secondary

In principle, any sensor combination within the instrument series is allowed. The following requirements must be fulfilled:

- Configuration of the sensor suitable for electronic differential pressure
- Pressure type is identical for both sensors, i.e. relative pressure/relative pressure or absolute pressure/absolute pressure
- Primary Device measures the higher pressure
- Measurement setup as shown in the following chapters

The measuring range of each sensor is selected such that it fits the measuring loop. For this, the max. recommended turn down must be noted. See chapter " *Technical data*". It is absolutely necessary the the measuring ranges of Primary and Secondary Device correspond.

Measurement result = Measured value of Primary (total pressure) - measured value of Secondary (static pressure)

Depending on the application, individual combinations can result, see following examples:

Example - large vessel

Data

Application: Level measurement

Medium: Water

Vessel height: 12 m, hydrostatic pressure = 12 m x 1000 kg/m³ x 9.81 m/s² = 117.7 kPa = 1.18 bar

Superimposed pressure: 1 bar

Total pressure: 1.18 bar + 1 bar = 2.18 bar

Instrument selection

Nominal measuring range Primary: 2.5 bar

Nominal measuring range Secondary: 1 bar

Turn Down: 2.5 bar/1.18 bar = 2.1 : 1

Example - small vessel

Data

Application: Level measurement

Medium: Water

Vessel height: 500 mm, hydrostatic pressure = 0.50 m x 1000 kg/m³ x 9.81 m/s² = 4.9 kPa = 0.049 bar

Superimposed pressure: 350 mbar = 0.35 bar

Total pressure: 0.049 bar + 0.35 bar = 0.399 bar

Instrument selection

Nominal measuring range Primary: 0.4 bar

Nominal measuring range Secondary: 0.4 bar

Turn Down: 0.4 bar /0.049 bar = 8.2 : 1

Example - orifice in pipeline

Data

Application: Differential pressure measurement

Medium: Gas

Static pressure: 0.8 bar

Differential pressure on orifice: 50 mbar = 0.050 bar

Total pressure: 0.8 bar + 0.05 bar = 0.85 bar

Instrument selection

Nominal measuring range Primary: 1 bar

Nominal measuring range Secondary: 1 bar

Turn Down: 1 bar/0.050 bar = 20 : 1

Output measured values

The measuring result (level, pressure difference) as well as measured value Secondary (static or superimposed pressure) are output by the sensor. Depending on the instrument version, output as 4 ... 20 mA signal or digitally via HART, Profibus PA or Foundation Fieldbus.



To reach the Safety Integrity Level (SIL) for the electronic differential pressure, both instruments must be SIL-qualified.

4.5 Level measurement

Measurement setup

Keep the following in mind when setting up the measuring system:

- Mount the Primary Device below the min. level
- Mount primary device away from emptying
- Mount the Primary Device so that it is protected against pressure shocks from the stirrer

- Mount the Secondary Device above the max. level
- Mount secondary device away from filling stream

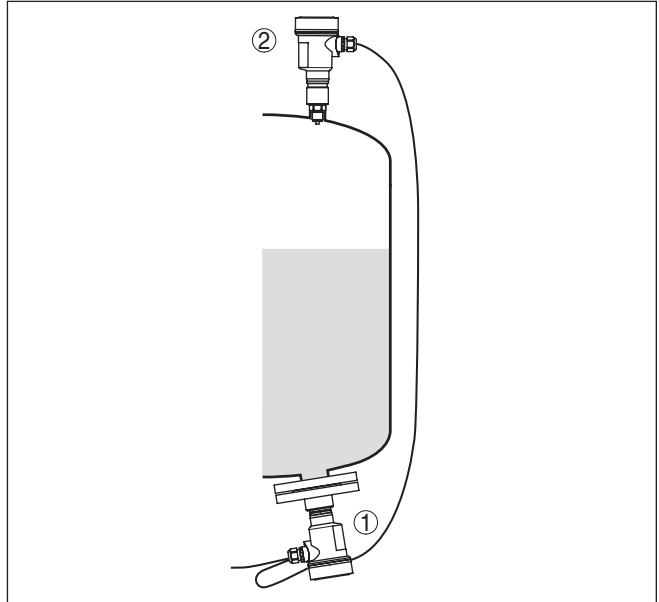


Fig. 9: Measurement setup, level measurement in pressurized vessel

- 1 VEGABAR 81, Primary Device
- 2 VEGABAR 81, Secondary Device

Measurement setup

4.6 Differential pressure measurement

Take note of the following instructions for the measurement setup, for example in gases:

- Mount the instruments above the measuring point

Possible condensation can then drain off into the process line.

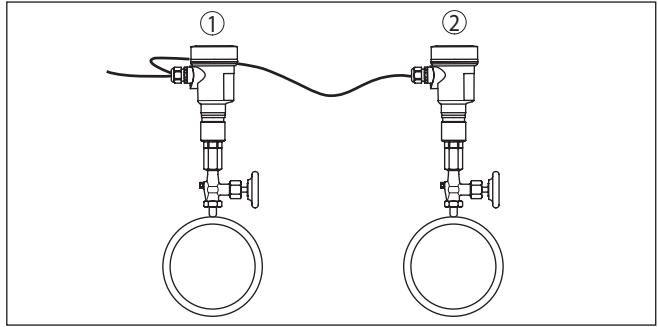


Fig. 10: Measurement setup for differential pressure measurement of gases in pipelines

- 1 VEGABAR 81, Primary Device
- 2 VEGABAR 81, Secondary Device

Measurement setup

4.7 Interface measurement

Requirements for a functioning measurement are:

- Vessel with changing level
- Products with steady density
- Interface always between the measurement points
- Total level always above the upper measurement point

The mounting distance " h " of the two sensors should be at least 10 %, better 20 %, of the final value of the sensor measuring range. A bigger distance increases the accuracy of the interface measurement.

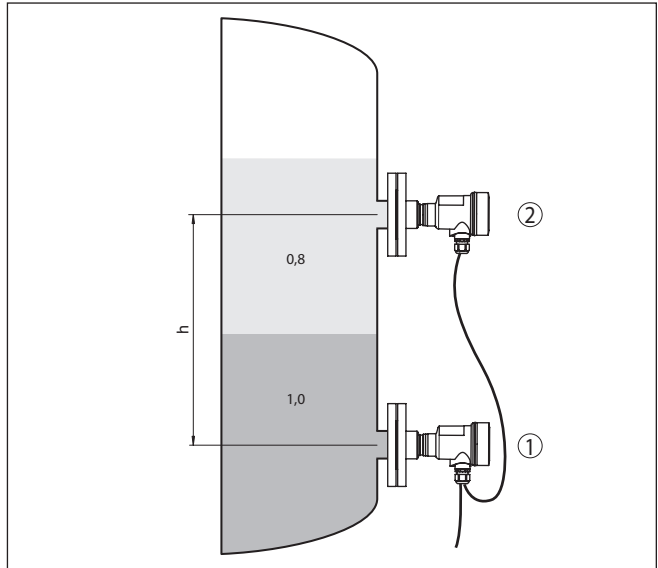


Fig. 11: Measurement setup with interface measurement, h = distance between the two measuring points

- 1 VEGABAR 81, Primary Device
2 VEGABAR 81, Secondary Device



Note:

The interface measurement is possible in open as well as in closed vessels.

4.8 Density measurement

Measurement setup

Requirements for a functioning measurement are:

- Vessel with changing level
- Distance between the measurement points as large as possible
- Level always above the upper measuring point

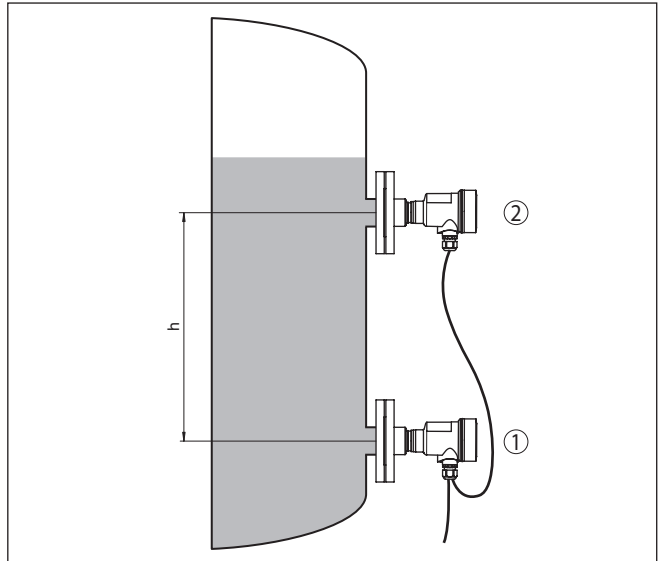


Fig. 12: Measurement setup for density measurement, h = distance between the two measuring points

- 1 VEGABAR 81, Primary Device
- 2 VEGABAR 81, Secondary Device

The mounting distance " h " of the two sensors should be at least 10 %, better 20 %, of the final value of the sensor measuring range. A bigger distance increases the accuracy of the density measurement.

Slight density changes cause only slight changes of the measured differential pressure. The measuring range must hence be selected accordingly.



Note:

The density measurement is possible in open as well as in closed vessels.

4.9 Density-compensated level measurement

Keep the following in mind when setting up the measuring system:

- Mount the Primary Device below the min. level
- Mount the Secondary Device above the Primary Devices
- Mount both sensors away from the filling stream and emptying and protected against pressure shocks from the stirrer

Measurement setup

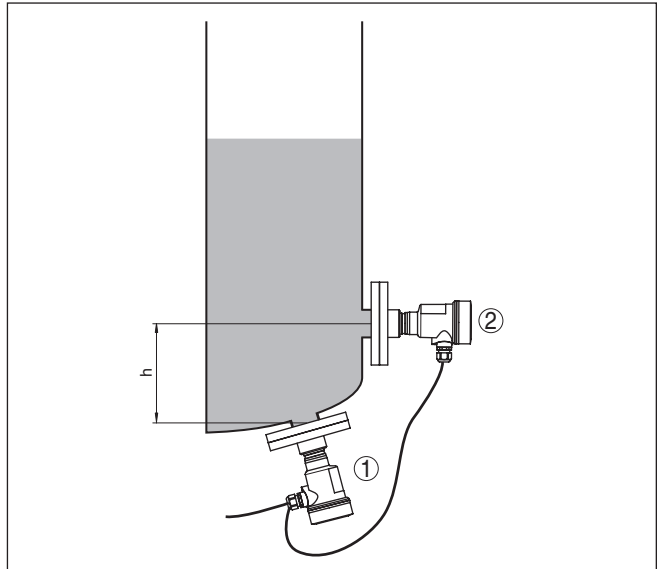


Fig. 13: Measurement setup for density-compensated level measurement, h = distance between the two measuring points

- 1 VEGABAR 81, Primary Device
- 2 VEGABAR 81, Secondary Device

The mounting distance " h " of the two sensors should be at least 10 %, better 20 %, of the final value of the sensor measuring range. A bigger distance increases the accuracy of the density compensation.

The density-compensated level measurement starts with the stored density 1 kg/dm³. As soon as both sensors are covered (the upper sensor with at least 20 mbar), this value will be replaced by the calculated density. Density compensation means that the level value in height units and the adjustment values do not change in case of a fluctuating density.



Note:

The density-compensated level measurement is only possible in open, i.e. unpressurized vessels.

4.10 External housing

Configuration

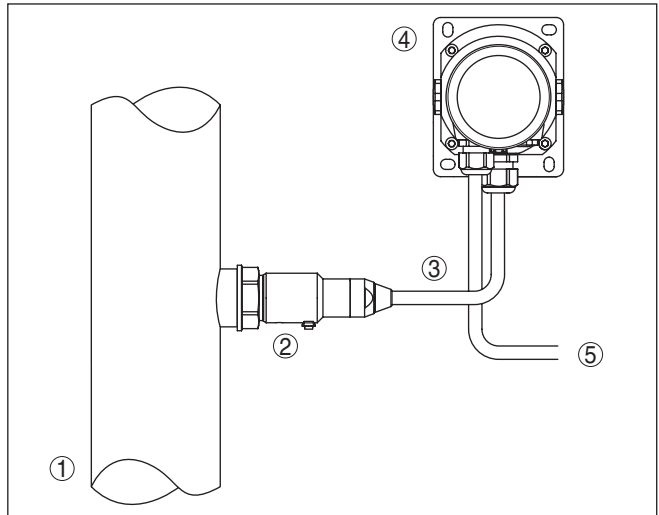


Fig. 14: Configuration, process module, external housing

- 1 Pipeline
- 2 Process module
- 3 Connection cable process assembly - External housing
- 4 External housing
- 5 Signal cable

5 Connecting to power supply

5.1 Preparing the connection

Safety instructions

Always keep in mind the following safety instructions:

- Carry out electrical connection by trained, qualified personnel authorised by the plant operator
- If overvoltage surges are expected, overvoltage arresters should be installed



Warning:

Only connect or disconnect in de-energized state.

Voltage supply

The voltage supply and the signal transmission are carried out via the four-wire, shielded connection cable from the Primary Device.

You can find the data for this signal circuit in chapter " *Technical data*".

Connection cable

The device is connected via the supplied four-wire, shielded cable or a similar cable provided by the customer. You can find detailed information of the connection cable in chapter " *Technical data*".

Use a cable gland suitable for the cable diameter to ensure the seal effect of the cable gland (IP protection).

Cable screening and grounding

The shielding of the cable between Primary and Secondary Device must be connected on both ends to ground potential. In the sensor, the shielding is connected directly to the internal ground terminal. The ground terminal on the outside of the housing must be connected to the ground potential (low impedance).

Cable glands

Metric threads:

In the case of instrument housings with metric thread, the cable glands are screwed in at the factory. They are sealed with plastic plugs as transport protection.



Note:

You have to remove these plugs before electrical connection.

NPT thread:

In the case of instrument housings with self-sealing NPT threads, it is not possible to have the cable entries screwed in at the factory. The free openings for the cable glands are therefore covered with red dust protection caps as transport protection.



Note:

Prior to setup you have to replace these protective caps with approved cable glands or close the openings with suitable blind plugs.

On plastic housings, the NPT cable gland or the Conduit steel tube must be screwed into the threaded insert without grease.

Max. torque for all housings, see chapter " *Technical data*".

5.2 Connecting

Connection technology

The connection to the Primary Device is carried out through spring-loaded terminals in the respective housing. For this, use the supplied, confectioned cable. Solid cores as well as flexible cores with cable end sleeves are inserted directly into the terminal openings.

In case of flexible cores without end sleeves, press the terminal from above with a small screwdriver, the terminal opening is then free. When the screwdriver is released, the terminal closes again.



Information:

The terminal block is pluggable and can be removed from the electronics. To do this, lift the terminal block with a small screwdriver and pull it out. When reinserting the terminal block, you should hear it snap in.

You can find further information on the max. wire cross-section under "*Technical data - Electromechanical data*".

Connection procedure

Proceed as follows:

1. Unscrew the housing lid
2. Loosen compression nut of the cable gland and remove blind plug
3. Remove approx. 10 cm (4 in) of the cable mantle, strip approx. 1 cm (0.4 in) insulation from the individual wires or use supplied connection cable
4. Insert the cable into the sensor through the cable entry



Fig. 15: Connection steps 5 and 6

5. Insert the wire ends into the terminals according to the wiring plan
6. Check the hold of the wires in the terminals by lightly pulling on them
7. Connect the shielding to the internal ground terminal, connect the external ground terminal to potential equalisation

8. Tighten the compression nut of the cable entry gland. The seal ring must completely encircle the cable
9. Unscrew the blind plug on the Primary, screw in the supplied cable gland
10. Connection cable to Primary, see steps 3 to 8
11. Screw the housing lid back on

The electrical connection is finished.

5.3 Single chamber housing



The following illustration applies to the non-Ex, Ex ia and Ex d ia version.

Electronics and connection compartment

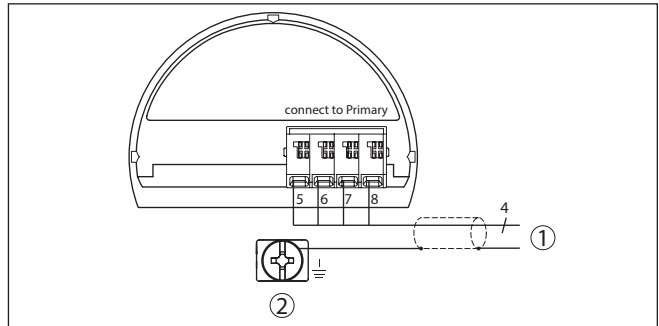


Fig. 16: Wiring plan VEGABAR 81 Secondary Device

- 1 To the Primary Device
- 2 Ground terminal for connection of the cable screening ²⁾

²⁾ Connect shielding here. Connect ground terminal on the outside of the housing to ground as prescribed. The two terminals are galvanically connected.

5.4 External housing with version IP68 (25 bar)

Overview

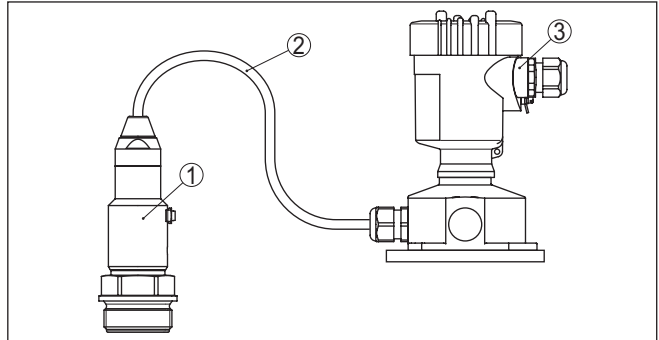


Fig. 17: VEGABAR 81 in IP68 version 25 bar with axial cable outlet, external housing

- 1 Transmitter
- 2 Connection cable
- 3 External housing

Electronics and connection compartment for power supply

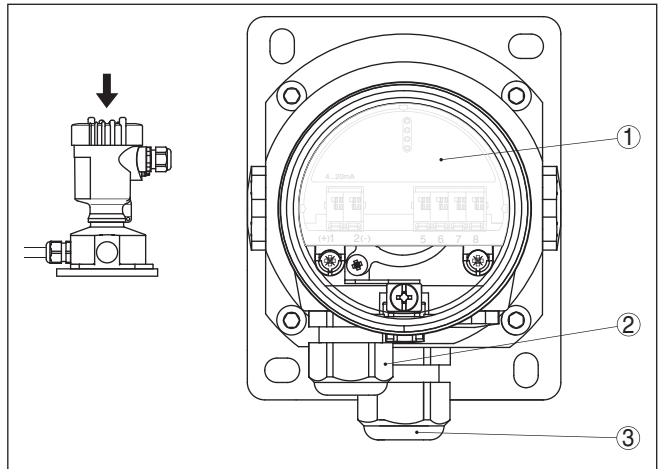


Fig. 18: Electronics and connection compartment

- 1 Electronics module
- 2 Cable gland for voltage supply
- 3 Cable gland for connection cable, transmitter

**Connection example,
electronic differential
pressure**

5.5 Connection example

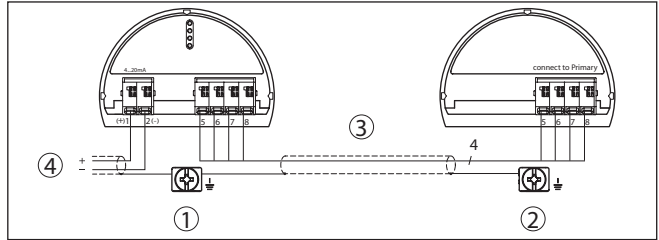


Fig. 21: Connection example, electronic differential pressure

- 1 Primary Device
- 2 Secondary Device
- 3 Connection cable
- 4 Supply and signal circuit Primary Device

The connection between Primary and Secondary Device is carried out acc. to the table:

Primary Device	Secondary Device
Terminal 5	Terminal 5
Terminal 6	Terminal 6
Terminal 7	Terminal 7
Terminal 8	Terminal 8

6 Functional safety (SIL)

6.1 Objective

Background

In case of dangerous failures, processing facilities and machines can cause risks for persons, environment and property. The risk of such failures must be judged by the plant operator. Dependent thereon are measures for risk reduction through error prevention, error detection and fault control.

Plant safety by risk reduction

The part of plant safety depending on the correct functioning of safety-related components for risk reduction is called functional safety. Components used in such safety-instrumented systems (SIS) must therefore execute their intended function (safety function) with a defined high probability.

Standards and safety levels

The safety requirements for such components are described in the international standards IEC 61508 and 61511, which set the standard for uniform and comparable judgement of instrument and plant (or machine) safety and hence contribute to worldwide legal certainty. We distinguish between four safety levels, from SIL1 for low risk to SIL4 for very high risk (SIL = Safety Integrity Level), depending on the required degree of risk reduction.

Properties and requirements

When developing instruments that can be used in safety-instrumented systems, the focus is on avoiding systematic errors as well as determining and controlling random errors.

Here are the most important characteristics and requirements from the perspective of functional safety according to IEC 61508 (Edition 2):

- Internal monitoring of safety-relevant circuit parts
- Extended standardization of the software development
- In case of failure, switching of the safety-relevant outputs to a defined safe state
- Determination of the failure probability of the defined safety function
- Reliable parameterization with non-safe user environment
- Proof test

Safety Manual

The SIL qualification of components is specified in a manual on functional safety (Safety Manual). Here, you can find all safety-relevant characteristics and information the user and the planner need for planning and operating the safety-instrumented system. This document is attached to each instrument with SIL rating and can be also found on our homepage via the search.

6.3 Application area

The instrument can be used, for example, for process pressure and hydrostatic level measurement of liquids in safety-instrumented systems.

tems (SIS) acc. to IEC 61508 and IEC 61511. Note the specifications in the Safety Manual.

The following inputs/outputs are permitted:

- 4 ... 20 mA current output

6.4 Safety concept of the parameterization

Tool for operation and parameterization

The following tools are permitted for parameterization of the safety function:

- The integrated display and adjustment unit for on-site adjustment
- The DTM suitable for the device in conjunction with an adjustment software according to the FDT/DTM standard, e. g. PACTware



Note:

For operation of the VEGABAR 81 an actual DTM Collection is required. The modification of safety-relevant parameters is only possible with active connection to the instrument (online mode).

Safe parameterization

To avoid possible errors during parameter adjustment in a non-safe user environment, a verification procedure is used that makes it possible to detect parameter adjustment errors reliably. For this, safety-relevant parameters must be verified after they are stored in the device. In normal operating condition, the instrument is also locked against parameter changes through unauthorized access.

Safety-relevant parameters

To prevent unintentional or unauthorized adjustment, the set parameters must be protected from unauthorized access. For this reason the instrument is shipped in locked condition. The PIN in delivery status is "0000".

When shipped with a specific parameter adjustment, the instruments are accompanied by a list with the values deviating from the basic setting.

All safety-relevant parameters must be verified after a change.

The parameter settings of the measurement loop must be documented. You can find a list of all safety-relevant parameters in the delivery status in chapter " *Setup with the display and adjustment module*" under " *Additional adjustments - Reset*". In addition, a list of the safety-relevant parameters can be stored and printed via PACTware/DTM.

Unlock adjustment

For each parameter change, the instrument must be unlocked via a PIN (see chapter " *Parameter adjustment, setup steps - Lock adjustment*"). The device status is indicated in the DTM by the symbol of an unlocked or locked padlock.



In delivery status, the PIN is **0000**.

Unsafe device status



Warning:

If adjustment is enabled, the safety function must be considered as unreliable. This applies until the parameterisation is terminated correctly. If necessary, other measures must be taken to maintain the safety function.

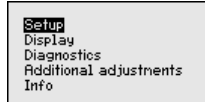
- Change parameters** All parameters changed by the operator are automatically stored temporarily so that they can be verified in the next step.
- Verify parameters/Lock adjustment** After setup, the modified parameters must be verified (confirm the correctness of the parameters). To do this, you first have to enter the device code. Here the adjustment is locked automatically. Then you carry out a comparison of two character strings. You must confirm that the character strings are identical. This is used to check the character presentation.
- Then you confirm that the serial number of your instrument has been carried over correctly. This is used to check device communication.
- Then, all modified parameters that have to be confirmed are listed. After this process is terminated, the safety function is again ensured.
- Incomplete process**  **Warning:** If the described process was not carried out completely or correctly (e.g. due to interruption or voltage loss), the instrument remains in an unlocked, and thus unsafe, status.
- Instrument reset**  **Warning:** In case of a reset to basic settings, all safety-relevant parameters will also be reset to default. Therefore all safety-relevant parameters must be checked or readjusted.

7 Set up with the display and adjustment module

7.1 Parameter adjustment

Main menu

The main menu is divided into five sections with the following functions:



Setup: Settings, e.g., for measurement loop name, application, units, position correction, adjustment, signal output

Display: Settings, e.g., for language, measured value display, lighting

Diagnosis: Information, e.g. on instrument status, peak indicator, measurement reliability, simulation

Additional adjustments: PIN, date/time, reset, copy function

Info: Instrument name, hardware and software version, date of manufacture, sensor features

In the main menu item "Setup", the individual submenu items should be selected one after the other and provided with the correct parameter values.

The following submenu points are available:



In the following section, the menu items from the menu "Setup" for electronic differential pressure measurement are described in detail. Depending on the selected application, different sections are relevant.



Information:

Further menu items of the menu "Setup" as well as the complete menus "Display", "Diagnostics", "Additional adjustments" and "Info" are described in the operating instructions of the respective Primary Device.

Operating sequence

A parameter change with SIL qualified instruments must always be carried out as follows:

- Unlock adjustment
- Change parameters
- Lock adjustment and verify modified parameters

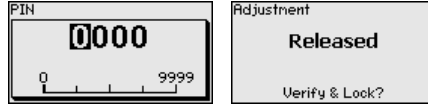
This ensures that all modified parameters have been deliberately changed.

Unlock adjustment

The instrument is shipped in locked condition.

To prevent unintentional or unauthorized adjustment, the instrument is protected (locked) against all parameter changes while in normal operating condition.

For each parameter change you have to enter the PIN of the instrument. In delivery status, the PIN is "0000".



Change parameters

You can find a description below the respective parameter.

Lock adjustment and verify modified parameters

You can find a description below the parameter " *Setup - Lock adjustment*".

7.1.1 Setup

Application

In this menu item you activate/deactivate the Secondary Device for electronic differential pressure and select the application.

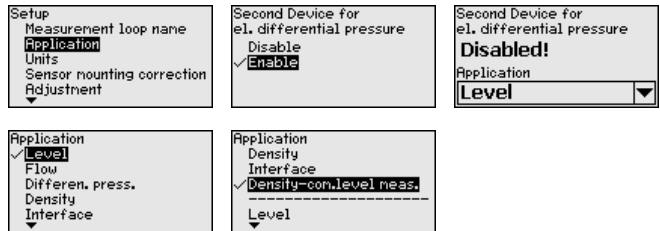
The VEGABAR 81 in conjunction with a Secondary Device can be used for flow, differential pressure, density and interface measurement. The default setting is differential pressure measurement. Switchover is carried out in the adjustment menu.

If you have connected a Secondary Device, you confirm this with " *Activate*".



Note:

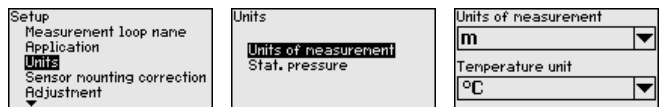
It is absolutely necessary to activate the Secondary Device to have the applications displayed in the electronic differential pressure measurement menus.



Enter the requested parameters via the appropriate keys, save your settings with [OK] and jump to the next menu item with the [ESC] and the [->] key.

Units

In this menu item, you determine the units for the " *Min. adjustment/Zero*" and " *Max. adjustment/Span*" as well as the static pressure.



If the level should be adjusted in a height unit, the density of the medium must also be entered later during the adjustment.

In addition, the unit is determined in the menu item " *Peak indicator temperature*".

Enter the requested parameters via the appropriate keys, save your settings with **[OK]** and jump to the next menu item with the **[ESC]** and the **[->]** key.

Position correction

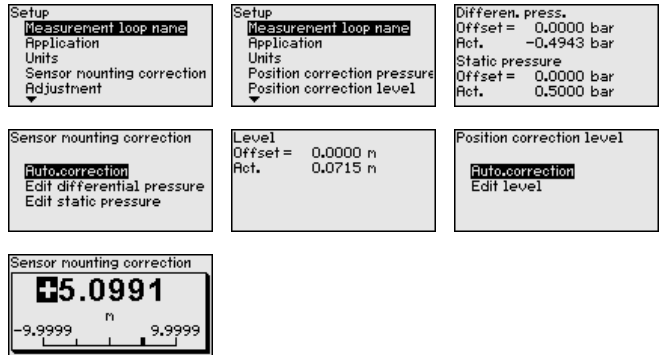
Especially with chemical seal systems, the installation position of the instrument can shift (offset) the measured value. Position correction compensates this offset. In the process, the actual measured value is taken over automatically. With relative pressure measuring cells a manual offset can also be carried out.

There are the following possibilities for a position correction with a Primary/Secondary combination

- Automatic correction for both sensors
- Manual correction for the Primary (differential pressure)
- Manual correction for the Secondary (static pressure)

With a Primary/Secondary combination in the application " *Density-compensated level measurement*" there are the following additional options for the position correction

- Automatic correction, Primary (level)
- Manual correction for the Primary (level)



During an automatic position correction, the current measured value is accepted as the correction value. This value must not be influenced/corrupted by product coverage or static pressure.

In case of a manual position correction, the offset value is determined by the user. Select for this purpose the function " *Edit*" and enter the requested value.

Save your settings with **[OK]** and move with **[ESC]** and **[->]** to the next menu item.

After the position correction is carried out, the actual measured value is corrected to 0. The corrective value appears with an inverse sign as offset value in the display.

The position correction can be repeated any number of times.

Adjustment

VEGABAR 81 always measures pressure independently of the process variable selected in the menu item "Application". To output the selected process variable correctly, an allocation of the output signal to 0 % and 100 % must be carried out (adjustment).

When using the application "Level", the hydrostatic pressure, e.g. with full and empty vessel, is entered as adjustment value. A superimposed pressure is detected by the Secondary Device and automatically compensated. See the following example:

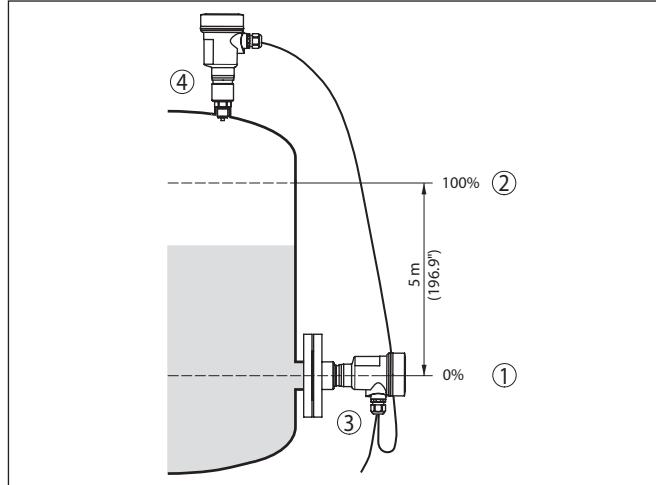


Fig. 22: Parameter adjustment example Min./max. adjustment, level measurement

- 1 Min. level = 0 % corresponds to 0.0 mbar
- 2 Max. level = 100 % corresponds to 490.5 mbar
- 3 VEGABAR 81, Primary Device
- 4 VEGABAR 81, Secondary Device

If these values are not known, an adjustment with filling levels of e.g. 10 % and 90 % is also possible. By means of these settings, the real filling height is then calculated.

The actual product level during this adjustment is not important, because the min./max. adjustment is always carried out without changing the product level. These settings can be made ahead of time without the instrument having to be installed.



Note:

If the adjustment ranges are exceeded, the entered value will not be accepted. Editing can be interrupted with **[ESC]** or corrected to a value within the adjustment ranges.

For the other process variables such as e.g. process pressure, differential pressure or flow, the adjustment is performed in like manner.

Min. adjustment - Level

Proceed as follows:

1. Select the menu item "Setup" with [->] and confirm with [OK]. Now select with [->] the menu item "Adjustment", then "Min. adjustment" and confirm with [OK].



2. Edit the percentage value with [OK] and set the cursor to the requested position with [->].
3. Set the requested percentage value (e.g. 10 %) with [+] and save with [OK]. The cursor jumps now to the pressure value.
4. Enter the pressure value corresponding to the min. level (e.g. 0 mbar).
5. Save settings with [OK] and move with [ESC] and [->] to the max. adjustment.

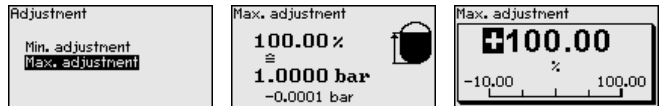
The min. adjustment is finished.

For an adjustment with filling, simply enter the actual measured value indicated at the bottom of the display.

Max. adjustment - Level

Proceed as follows:

1. Select with [->] the menu item "Max. adjustment" and confirm with [OK].



2. Edit the percentage value with [OK] and set the cursor to the requested position with [->].
3. Set the requested percentage value (e.g. 90 %) with [+] and save with [OK]. The cursor jumps now to the pressure value.
4. Enter the pressure value for the full vessel (e.g. 900 mbar) corresponding to the percentage value.
5. Save settings with [OK]

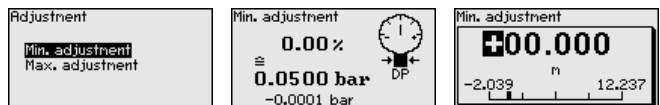
The max. adjustment is finished.

For an adjustment with filling, simply enter the actual measured value indicated at the bottom of the display.

Min. adjustment flow

Proceed as follows:

1. Select the menu item "Setup" with [->] and confirm with [OK]. Now select with [->] the menu item "Min. adjustment" and confirm with [OK].



2. Edit the mbar value with [OK] and set the cursor to the requested position with [->].

3. Set the requested mbar value with **[+]** and store with **[OK]**.
4. Change with **[ESC]** and **[>-]** to the span adjustment

With flow in two directions (bidirectional) a negative differential pressure is also possible. The maximum negative pressure must then be entered for the min. adjustment. For linearization, select "*bidirectional*" or "*bidirectional-extracted by root*" accordingly, see menu item "*Linearization*".

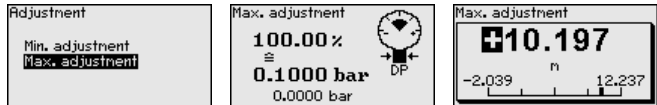
The min. adjustment is finished.

For an adjustment with pressure, simply enter the actual measured value indicated at the bottom of the display.

Max. adjustment flow

Proceed as follows:

1. Select with **[>-]** the menu item Max. adjustment and confirm with **[OK]**.



2. Edit the mbar value with **[OK]** and set the cursor to the requested position with **[>-]**.
3. Set the requested mbar value with **[+]** and store with **[OK]**.

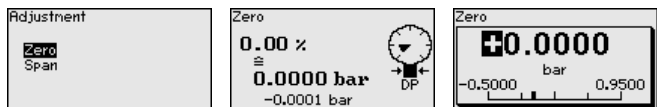
The max. adjustment is finished.

For an adjustment with pressure, simply enter the actual measured value indicated at the bottom of the display.

Zero adjustment differential pressure

Proceed as follows:

1. Select the menu item "*Setup*" with **[>-]** and confirm with **[OK]**. Now select with **[>-]** the menu item "*Zero adjustment*" and confirm with **[OK]**.



2. Edit the mbar value with **[OK]** and set the cursor to the requested position with **[>-]**.
3. Set the requested mbar value with **[+]** and store with **[OK]**.
4. Change with **[ESC]** and **[>-]** to the span adjustment

The zero adjustment is finished.



Information:

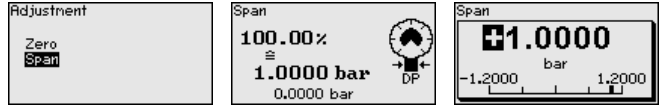
The Zero adjustment shifts the value of the span adjustment. The span, i.e. the difference between these values, however, remains unchanged.

For an adjustment with pressure, simply enter the actual measured value indicated at the bottom of the display.

Span adjustment differential pressure

Proceed as follows:

1. Select with **[>-]** the menu item " *Span adjustment*" and confirm with **[OK]**.



2. Edit the mbar value with **[OK]** and set the cursor to the requested position with **[>-]**.
3. Set the requested mbar value with **[+]** and store with **[OK]**.

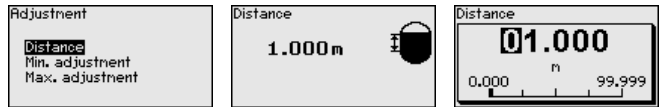
The span adjustment is finished.

For an adjustment with pressure, simply enter the actual measured value indicated at the bottom of the display.

Distance density

Proceed as follows:

- Select in the menu item " *Setup*" with **[>-]** " *Adjustment*" and confirm with **[OK]**. Now confirm the menu item " *Distance*" with **[OK]**.



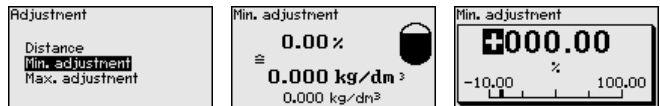
- Edit the sensor distance with **[OK]** and set the cursor to the requested position with **[>-]**.
- Set the distance with **[+]** and save with **[OK]**.

The adjustment of the distance is hence finished.

Min. adjustment density

Proceed as follows:

1. Select the menu item " *Setup*" with **[>-]** and confirm with **[OK]**. Now select with **[>-]** the menu item " *Min. adjustment*" and confirm with **[OK]**.



2. Edit the percentage value with **[OK]** and set the cursor to the requested position with **[>-]**.
3. Set the requested percentage value with **[+]** and save with **[OK]**. The cursor jumps now to the density value.
4. Enter the min. density corresponding to the percentage value.
5. Save settings with **[OK]** and move with **[ESC]** and **[>-]** to the max. adjustment.

The min. adjustment for density is finished.

Max. adjustment density

Proceed as follows:

1. Select the menu item " *Setup*" with **[>-]** and confirm with **[OK]**. Now select with **[>-]** the menu item " *Max. adjustment*" and confirm with **[OK]**.



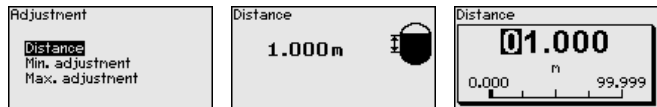
2. Edit the percentage value with **[OK]** and set the cursor to the requested position with **[->]**.
3. Set the requested percentage value with **[+]** and save with **[OK]**. The cursor jumps now to the density value.
4. Enter the max. density value corresponding to the percentage value.

The max. adjustment for density is finished.

Distance interface

Proceed as follows:

1. Select in the menu item "Setup" with **[->]** "Adjustment" and confirm with **[OK]**. Now confirm the menu item "Distance" with **[OK]**.



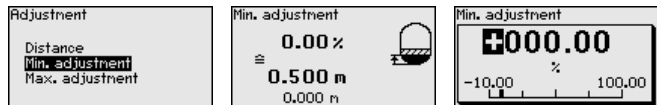
2. Edit the sensor distance with **[OK]** and set the cursor to the requested position with **[->]**.
3. Set the distance with **[+]** and save with **[OK]**.

The adjustment of the distance is hence finished.

Min. adjustment interface

Proceed as follows:

1. Select the menu item "Setup" with **[->]** and confirm with **[OK]**. Now select with **[->]** the menu item "Min. adjustment" and confirm with **[OK]**.



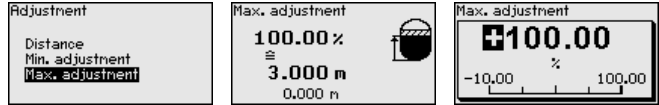
2. Edit the percentage value with **[OK]** and set the cursor to the requested position with **[->]**.
3. Set the requested percentage value with **[+]** and save with **[OK]**. The cursor jumps now to the height value.
4. Enter the min. height of the interface corresponding to the percentage value.
5. Save settings with **[OK]** and move with **[ESC]** and **[->]** to the max. adjustment.

The min. adjustment for interface is thus finished.

Max. adjustment interface

Proceed as follows:

1. Select the menu item "Setup" with **[->]** and confirm with **[OK]**. Now select with **[->]** the menu item "Max. adjustment" and confirm with **[OK]**.



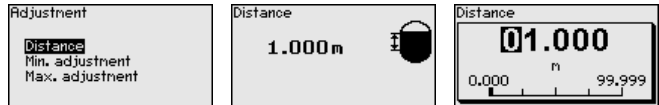
2. Edit the percentage value with **[OK]** and set the cursor to the requested position with **[>]**.
3. Set the requested percentage value with **[+]** and save with **[OK]**. The cursor jumps now to the height value.
4. Enter the max. height of the interface corresponding to the percentage value.

The max. adjustment for interface is finished.

Distance level density-compensated

Proceed as follows:

- Select in the menu item "Setup" with **[>]** "Adjustment" and confirm with **[OK]**. Now confirm the menu item "Distance" with **[OK]**.



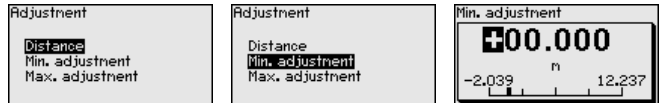
- Edit the sensor distance with **[OK]** and set the cursor to the requested position with **[>]**.
- Set the distance with **[+]** and save with **[OK]**.

The adjustment of the distance is hence finished.

Min. adjustment level density-compensated

Proceed as follows:

1. Select the menu item "Setup" with **[>]** and confirm with **[OK]**. Now select with **[>]** the menu item "Adjustment", then "Min. adjustment" and confirm with **[OK]**.



2. Edit the percentage value with **[OK]** and set the cursor to the requested position with **[>]**.
3. Set the requested percentage value (e.g. 0 %) with **[+]** and save with **[OK]**. The cursor jumps now to the pressure value.
4. Enter the value corresponding to the min. level (e.g. 0 m).
5. Save settings with **[OK]** and move with **[ESC]** and **[>]** to the max. adjustment.

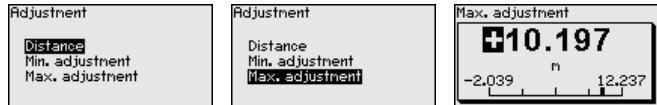
The min. adjustment is finished.

For an adjustment with filling, simply enter the actual measured value indicated at the bottom of the display.

Proceed as follows:

1. Select with **[>]** the menu item Max. adjustment and confirm with **[OK]**.

Max. adjustment level density-compensated



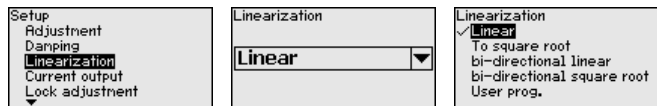
2. Edit the percentage value with **[OK]** and set the cursor to the requested position with **[->]**.
3. Set the requested percentage value (e.g. 100 %) with **[+]** and save with **[OK]**. The cursor jumps now to the pressure value.
4. Enter the value for the full vessel (e.g. 10 m) corresponding to the percentage value.
5. Save settings with **[OK]**

The max. adjustment is finished.

For an adjustment with filling, simply enter the actual measured value indicated at the bottom of the display.

Linearisation

A linearization is necessary for all applications in which the measured process variable does not increase linearly with the measured value. This applies for example to the flow measured via the differential pressure or the vessel volume measured via the level. Corresponding linearization curves are preprogrammed for such cases. They represent the correlation between the measured value percentage and process variable. The linearization applies to the measured value indication and the current output.



With flow measurement and selection " *Linear*" display and output (percentage/current) are linear to " **Differential pressure**". This can be used, for example, to feed a flow computer.

With flow measurement and selection " *Extraction by root*" display and output (percentage/current) are linear to " **Flow**".⁴⁾

With flow in two directions (bidirectional) a negative differential pressure is also possible. This must already be taken into account in menu item " *Min. adjustment flow*".



Caution:

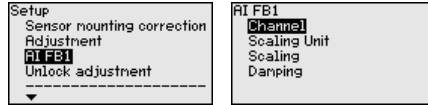
Note the following, if the respective sensor is used as part of an over-fill protection system according to WHG:

If a linearisation curve is selected, the measuring signal is no longer necessarily linear to the filling height. This must be considered by the user especially when setting the switching point on the limit signal transmitter.

AI FB1

Since the parameter adjustment of the Function Block 1 (FB1) is very comprehensive, it was divided into various submenu items.

⁴⁾ The device assumes an approximately constant temperature and static pressure and calculates the flow rate from the measured differential pressure using the characteristic curve extracted by root.



AI FB1 - Channel

In menu item " Channel" you determine the input signal for further processing in AI FB 1.

As input signals, the output values of Transducer Block (TB) can be selected.



Lock adjustment

With this menu item you safeguard the sensor parameters against unauthorized or unintentional modifications.



To avoid possible errors during parameter adjustment in a non-safe environment, a verification procedure is used that enables reliable detection of parameter adjustment errors. In this procedure, safety-relevant parameters are verified before saving them in the instrument.

In addition, as a protection against unintentional or unauthorized adjustment, the instrument is locked against all parameter changes in normal operating condition.

1. Enter PIN

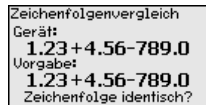


The instrument is shipped in locked condition. The PIN in the delivery status is "0000".

2. Character string comparison

You then have to carry out the character string comparison. This is used to check the character presentation.

Confirm if the two character strings are identical. The verification texts are provided in German and in the case of all other menu languages, in English.



3. Serial number acknowledgement



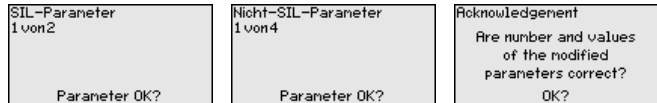
Afterwards you confirm that the serial number of your instrument was carried over correctly. This is used to check device communication.

4. Verify parameters

All safety-relevant parameters must be verified after a change:

- SIL parameter 1: Zero adjustment
- SIL parameter 2: Secondary on/off
- Non-SIL parameter 1: Measured value presentation
- Non-SIL parameter 2: Display value 1, unit of the application
- Non-SIL parameter 3: Menu language
- Non-SIL parameter 4: Lighting

Confirm the modified values one after the other.



If the described process of parameter adjustment was run through completely and correctly, the instrument will be locked and hence ready for operation.



Otherwise the instrument remains in the released and hence unsafe condition.



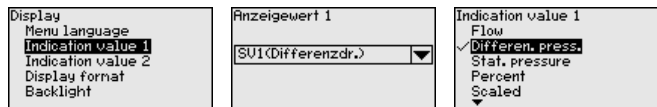
Information:

As long as the VEGABAR 81 is powered, the display and adjustment module remains in the actually set adjustment menu. An automatic, time-controlled reset to the measured value indication is not carried out.

7.1.2 Display

Display value 1 and 2 - 4 ... 20 mA

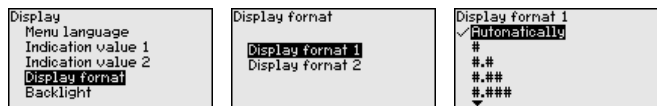
In this menu item, you define which measured value is displayed.



The default setting for the displayed value is " *Differential pressure*".

Display format 1 and 2

In this menu item you define the number of decimal positions with which the measured value is displayed.



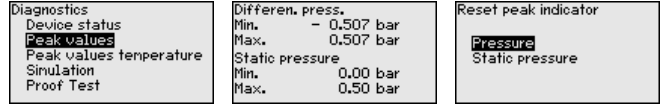
The default setting for the display format is " *Automatic*".

7.1.3 Diagnostics

Peak indicator, pressure

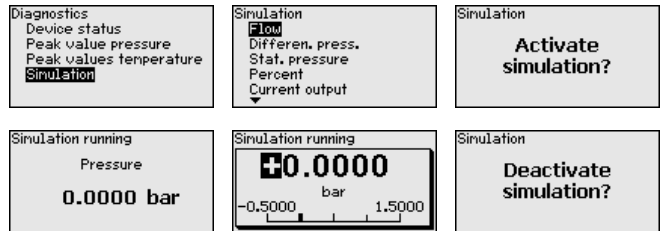
The respective min. and max. measured values for the differential pressure and static pressure are stored in the sensor. In menu item "Peak indicator, pressure", both values are displayed.

In another window you can carry out a reset of the peak values separately.



Simulation 4 ... 20 mA/HART

In this menu item you can simulate measured values. This allows the signal path to be tested, e.g. through downstream indicating instruments or the input card of the control system.



Select the requested simulation variable and set the requested value.

To deactivate the simulation, you have to push the [ESC] key and confirm the message "Deactivate simulation" with the [OK] key.



Caution:

During simulation, the simulated value is output as 4 ... 20 mA current value and as digital HART signal. The status message within the context of the asset management function is "Maintenance".



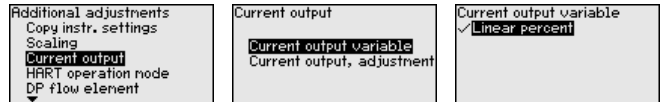
Note:

Without manual deactivation, the sensor terminates the simulation automatically after 60 minutes.

7.1.4 Additional adjustments

Current output 1 and 2 (size)

In menu item "Current output, variable" you specify which measured variable is output via the current output.



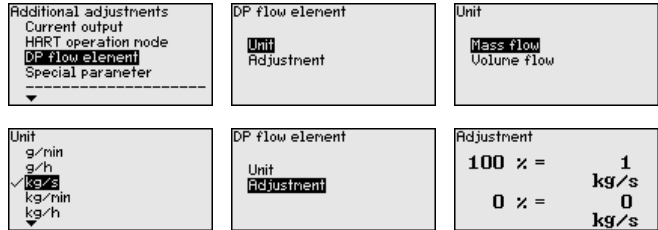
The following selection is possible depending on the selected application:

- Flow
- Height - Interface
- Density
- Differential pressure
- Static pressure

- Percent
- Scaled
- Percent linearized
- Measuring cell temperature (ceramic measuring cell)
- Electronics temperature

Characteristics values DP flow element

In this menu item, the units for the DP flow element are determined and the selection of mass or volume flow is carried out.



Furthermore the adjustment for the volume or mass flow at 0 % or 100 % is carried out.

The device automatically adds the flow in the selected unit. With appropriate adjustment and bidirectional linearization, the flow rate is counted both positively and negatively.

7.2 Menu overview

The following tables show the adjustment menu of the instrument. Depending on the instrument version or application, all menu items may not be available or some may be differently assigned.



Note:

You can find further menu items in the operating instructions of the respective Primary Device.

Setup

Menu item	Parameter	Default setting
Measurement loop name	19 alphanumeric characters/special characters	Sensor
Application (SIL)	Level, process pressure	Level
	Secondary Device for electronic differential pressure ⁵⁾	Deactivated
Units	Adjustment unit (m, bar, Pa, psi ... user-defined)	mbar (with nominal measuring range ≤ 400 mbar) bar (with nominal measuring ranges ≥ 1 bar)
	Static pressure	bar
Position correction (SIL)		0.00 bar

⁵⁾ Parameter active, when Secondary Device is connected

Menu item	Parameter	Default setting
Adjustment (SIL)	Distance (with density and interface)	1.00 m
	Zero/Min. adjustment	0.00 bar 0.00 %
	Span/Max. adjustment	Nominal measuring range in bar 100.00 %
Damping (SIL)	Integration time	0.0 s
Linearization (SIL)	Linear, cylindrical tank, ... user-defined	Linear
Current output (SIL)	Current output - Mode	Output characteristics 4 ... 20 mA Reaction when malfunctions occur ≤ 3.6 mA
	Current output - Min./Max.	3.8 mA 20.5 mA
Lock adjustment (SIL)	Blocked, released	Last setting

Display

Display

Menu item	Default value
Menu language	Selected language
Displayed value 1	Pressure
Displayed value 2	Ceramic measuring cell: Measuring cell temperature in °C Metallic measuring cell: Electronics temperature in °C
Display format	Number of positions after the decimal point, automatically
Backlight	Switched on

Diagnostics

Menu item	Parameter	Default setting
Device status		-
Peak indicator	Pressure	Current pressure measured value
Peak indicator temp.	Temperature	Actual measuring cell and electronic temperature
Simulation		-

Additional adjustments

Menu item	Parameter	Default setting
PIN		0000
Date/Time		Actual date/Actual time

Menu item	Parameter	Default setting
Copy instrument settings		-
Special parameters		No reset
Scaling	Scaling size	Volume in l
	Scaling format	0 % corresponds to 0 l 100 % corresponds to 0 l
Current output	Current output - Meas. variable	Lin. percent - Level
	Current output - Adjustment	0 ... 100 % correspond to 4 ... 20 mA
HART mode		Address 0
DP flow element	Unit	m ³ /s
	Adjustment	0.00 % correspond to 0.00 m ³ /s 100.00 %, 1 m ³ /s

Info

Menu item	Parameter
Device name	VEGABAR 81
Instrument version	Hardware and software version
Factory calibration date	Date
Sensor characteristics	Order-specific characteristics

8 Diagnosis, asset management and service

8.1 Maintenance

Maintenance

If the device is used properly, no special maintenance is required in normal operation.

In some applications, product buildup on the diaphragm can influence the measuring result. Depending on the sensor and application, take precautions to ensure that heavy buildup, and especially a hardening thereof, is avoided.

Proof test

To identify possible undetected, dangerous failures, the safety function of the instrument must be checked in adequate intervals by a proof test.



During the function test, the safety function must be treated as unsafe. Keep in mind that the function test influences downstream connected devices.

If one of the tests proves negative, the entire measuring system must be switched out of service and the process held in a safe state by means of other measures.

You can find detailed information on the proof test in the Safety Manual (SIL).

8.2 Rectify faults

Reaction when malfunction occurs

The operator of the system is responsible for taking suitable measures to rectify faults.

Fault rectification

The first measures are:

- Evaluation of fault messages
- Checking the output signal
- Treatment of measurement errors

A smartphone/tablet with the adjustment app or a PC/notebook with the software PACTware and the suitable DTM offer you further comprehensive diagnostic possibilities. In many cases, the causes can be determined in this way and the faults eliminated.

Reaction after fault rectification

Depending on the reason for the fault and the measures taken, the steps described in chapter "Setup" must be carried out again or must be checked for plausibility and completeness.

24 hour service hotline

Should these measures not be successful, please call in urgent cases the VEGA service hotline under the phone no. **+49 1805 858550**.

The hotline is also available outside normal working hours, seven days a week around the clock.

Since we offer this service worldwide, the support is provided in English. The service itself is free of charge, the only costs involved are the normal call charges.

8.3 Exchanging the electronics module

If the electronics module is defective, it can be replaced by the user.



With SIL qualified instrument, only a respective electronics module with SIL qualification must be used.



In Ex applications, only instruments and electronics modules with appropriate Ex approval may be used.

Order the replacement electronics module through the agency serving you. The electronics modules are adapted to the respective sensor.



All application-specific settings must be entered again. That's why you have to carry out a fresh setup after exchanging the electronics.

You can find detailed information on the electronics exchange in the booklet "*Operating instructions for electronics module VEGABAR series 80*".

After the new setup and the transfer of the parameterization date, you have to verify the parameters. Only then, the instrument will be ready for operation, again.

8.4 Exchange process module on version IP68 (25 bar)

On version IP68 (25 bar), the user can exchange the process module on site. Connection cable and external housing can be kept.

Required tools:

- Hexagon key wrench, size 2



Caution:

The exchange may only be carried out in the complete absence of line voltage.



In Ex applications, only a replacement part with appropriate Ex approval may be used.



Caution:

During exchange, protect the inner side of the parts against contamination and moisture.

Proceed as follows when carrying out the exchange:

1. Loosen the fixing screw with the hexagon key wrench
2. Carefully detach the cable assembly from the process module

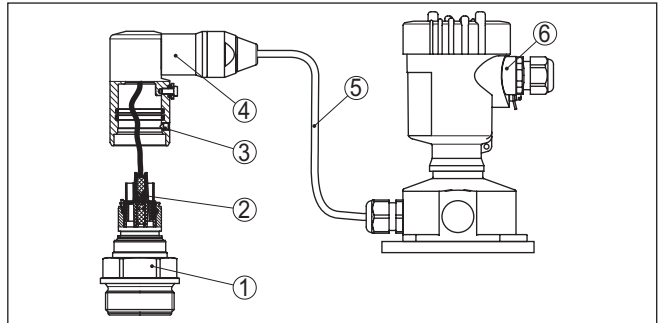


Fig. 23: VEGABAR 81 in IP68 version, 25 bar and lateral cable outlet, external housing

- 1 Process module
- 2 Plug connector
- 3 Fixing screw
- 4 Cable assembly
- 5 Connection cable
- 6 External housing

3. Loosen the plug connector
 4. Mount the new process module on the measuring point
 5. Plug the connector back in
 6. Mount the cable assembly on the process module and turn it to the desired position
 7. Tighten the fixing screw with the hexagon key wrench
- The exchange is finished.

8.5 How to proceed if a repair is necessary

On our homepage you will find detailed information on how to proceed in the event of a repair.

So that we can carry out the repair quickly and without queries, generate a instrument return form there with the data of your device.

You will need:

- The serial number of the instrument
- A short description of the problem
- Details of the medium

Print the generated instrument return form.

Clean the instrument and pack it damage-proof.

Send the printed instrument return form and possibly a safety data sheet together with the device.

You will find the address for the return on the generated instrument return form.

9 Dismount

9.1 Dismounting steps

To remove the device, carry out the steps in chapters " *Mounting*" and " *Connecting to power supply*" in reverse.



Warning:

When dismantling, pay attention to the process conditions in vessels or pipelines. There is a risk of injury, e.g. due to high pressures or temperatures as well as aggressive or toxic media. Avoid this by taking appropriate protective measures.

9.2 Disposal



Pass the instrument on to a specialised recycling company and do not use the municipal collecting points.

Remove any batteries in advance, if they can be removed from the device, and dispose of them separately.

If personal data is stored on the old device to be disposed of, delete it before disposal.

If you have no way to dispose of the old instrument properly, please contact us concerning return and disposal.

10 Supplement

10.1 Technical data

Note for approved instruments

The technical data in the respective safety instructions which are included in delivery are valid for approved instruments (e.g. with Ex approval). These data can differ from the data listed herein, for example regarding the process conditions or the voltage supply.

All approval documents can be downloaded from our homepage.

Materials and weights

Materials, wetted parts

Process fitting	316L
Diaphragm	316L, Alloy C276 (2.4819), Alloy C22 (2.4602), Alloy 400 (2.4360), Tantalum, Titanium, 316L ECTFE coated, 1.4435 with gold coating (25 µm)

Seal for process fitting (in the scope of delivery)

– Thread G½ (EN 837), G1½ (DIN 3852-A)	Klingersil C-4400
--	-------------------

Materials for applications in foodstuffs

Surface quality, hygienic process fittings, $R_a < 0.8 \mu\text{m}$ typ.

Seal below wall mounting plate with 3A approval	EPDM
---	------

Materials, non-wetted parts

Housing

– Plastic housing	Plastic PBT (Polyester)
– Aluminium die-cast housing	Aluminium die-casting AlSi10Mg, powder-coated (Basis: Polyester)
– Stainless steel housing	316L
– Cable gland	PA, stainless steel, brass
– Sealing, cable gland	NBR
– Blind plug, cable gland	PA
– Seal between housing and housing lid	Silicone SI 850 R, NBR silicone-free
– Inspection window in housing cover	Polycarbonate, UL746-C listed (with Ex d version: glass)
– Ground terminal	316L

External housing

– Housing	Plastic PBT (Polyester), 316L
– Socket, wall mounting plate	Plastic PBT (Polyester), 316L
– Seal between base and wall mounting plate	EPDM (fixed connected)
Inspection window housing cover	Polycarbonate (UL-746-C listed), glass ⁶⁾
Seal, housing lid	Silicone SI 850 R, NBR silicone-free

⁶⁾ Glass with Aluminium and stainless steel (precision casting) housing

Ground terminal	316Ti/316L
Connection cable to Primary Device	PE, PUR

Weights

Total weight VEGABAR 81	approx. 0.8 ... 8 kg (1.764 ... 17.64 lbs), depending on process fitting and housing
-------------------------	--

Torques

Max. torque for process fitting with thread 40 Nm (29.50 lbf ft)

Max. torque for NPT cable glands and Conduit tubes

- Plastic housing 10 Nm (7.376 lbf ft)
- Aluminium/Stainless steel housing 50 Nm (36.88 lbf ft)

Input variable - Piezoresistive/Strain gauge measuring cell

The specifications are only an overview and refer to the measuring cell. Limitations due to the material and version of the process fitting as well as the selected pressure type are possible. The specifications on the nameplate apply. ⁷⁾

Nominal measuring ranges and overload capability in bar/kPa

Nominal range	Overload capability	
	Maximum pressure	Minimum pressure
Gauge pressure		
0 ... +0.4 bar/0 ... +40 kPa	+1.2 bar/+120 kPa	-1 bar/-100 kPa
0 ... +1 bar/0 ... +100 kPa	+3 bar/+300 kPa	-1 bar/-100 kPa
0 ... +2.5 bar/0 ... +250 kPa	+7.5 bar/+750 kPa	-1 bar/-100 kPa
0 ... +5 bar/0 ... +250 kPa	+15 bar/+1500 kPa	-1 bar/-100 kPa
0 ... +10 bar/0 ... +1000 kPa	+30 bar/+3000 kPa	-1 bar/-100 kPa
0 ... +16 bar/0 ... +1600 kPa	+48 bar/+5000 kPa	-1 bar/-100 kPa
0 ... +25 bar/0 ... +2500 kPa	+75 bar/+7500 kPa	-1 bar/-100 kPa
0 ... +40 bar/0 ... +4000 kPa	+120 bar/+12 MPa	-1 bar/-100 kPa
0 ... +60 bar/0 ... +6000 kPa	+180 bar/+18 MPa	-1 bar/-100 kPa
0 ... +100 bar/0 ... +10 MPa	+200 bar/+20 MPa	-1 bar/-100 kPa
0 ... +160 bar/0 ... +10 MPa	+320 bar/+20 MPa	-1 bar/-100 kPa
0 ... +250 bar/0 ... +25 MPa	+500 bar/+20 MPa	-1 bar/-100 kPa
0 ... +400 bar/0 ... +40 MPa	+800 bar/+80 MPa	-1 bar/-100 kPa
0 ... +600 bar/0 ... +60 MPa	+1200 bar/+120 MPa	-1 bar/-100 kPa
0 ... +1000 bar/0 ... +100 MPa	+1500 bar/+150 MPa	-1 bar/-100 kPa
-1 ... 0 bar/-100 ... 0 kPa	+3 bar/+300 kPa	-1 bar/-100 kPa
-1 ... +1.5 bar/-100 ... +150 kPa	+7.5 bar/+750 kPa	-1 bar/-100 kPa
-1 ... +5 bar/-100 ... +500 kPa	+15 bar/+1500 kPa	-1 bar/-100 kPa
-1 ... +10 bar/-100 ... +1000 kPa	+30 bar/+3000 kPa	-1 bar/-100 kPa

⁷⁾ Data on overload capability apply for reference temperature.

Nominal range	Overload capability	
	Maximum pressure	Minimum pressure
-1 ... +25 bar/-100 ... +2500 kPa	+75 bar/+7500 kPa	-1 bar/-100 kPa
-1 ... +40 bar/-100 ... +4000 kPa	+120 bar/+12 MPa	-1 bar/-100 kPa
-0.2 ... +0.2 bar/-20 ... +20 kPa	+1.2 bar/+120 kPa	-1 bar/-100 kPa
-0.5 ... +0.5 bar/-50 ... +50 kPa	+3 bar/+300 kPa	-1 bar/-100 kPa
Absolute pressure		
0 ... 1 bar/0 ... 100 kPa	3 bar/300 kPa	0 bar abs.
0 ... 2.5 bar/0 ... 250 kPa	7.5 bar/750 kPa	0 bar abs.
0 ... 5 bar/0 ... 500 kPa	15 bar/1500 kPa	0 bar abs.
0 ... 10 bar/0 ... 1000 kPa	30 bar/3000 kPa	0 bar abs.
0 ... 16 bar/0 ... 1600 kPa	50 bar/5000 kPa	0 bar abs.
0 ... 25 bar/0 ... 2500 kPa	75 bar/+7500 kPa	0 bar abs.
0 ... 40 bar/0 ... 4000 kPa	120 bar/+12 MPa	0 bar abs.

Adjustment ranges

Specifications refer to the nominal measuring range, pressure values lower than -1 bar cannot be set

Level (min./max. adjustment)

- Percentage value -10 ... 110 %
- Pressure value -120 ... 120 %

Flow (min./max. adjustment)

- Percentage value 0 or 100 % fix
- Pressure value -120 ... 120 %

Differential pressure (zero/span adjustment)

- Zero -95 ... +95 %
- Span -120 ... +120 %

Density (min./max. adjustment)

- Percentage value -10 ... 100 %
- Density value according to the measuring ranges in kg/dm³

Interface (min./max. adjustment)

- Percentage value -10 ... 100 %
- Level value according to the measuring ranges in m

Max. permissible Turn Down

Unlimited (recommended 20 : 1)

Max. permissible turn down with SIL applications

10 : 1

Dynamic behaviour output

Dynamic characteristics depending on medium and temperature

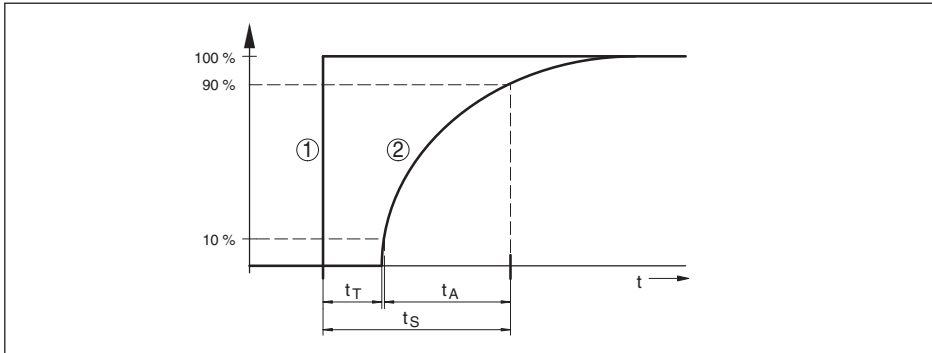


Fig. 24: Sudden change of the process variable. t_T : dead time; t_A : rise time; t_S : jump response time

- 1 Process variable
2 Output signal

	VEGABAR 81	VEGABAR 81, IP68 (25 bar), connection cable > 25 m (82.01 ft)
Dead time	≤ 25 ms	≤ 50 ms
Rise time (10 ... 90 %)	≤ 55 ms	≤ 150 ms
Step response time (ti: 0 s, 10 ... 90 %)	≤ 80 ms	≤ 200 ms

To this amounts the reaction time of the isolating system. This time varies from values < 1 s with compact chemical seals to several seconds with capillary systems.

Example: Flange-type chemical seal DN 80, filling silicone oil KN 2.2, capillary length 10 m, measuring range 1 bar

Process temperature	Reaction time
+40 °C (+104 °F)	approx. 1.5 s
+20 °C (+58 °F)	approx. 3 s
-20 °C (-4 °F)	approx. 11 s

Damping (63 % of the input variable) 0 ... 999 s, adjustable via menu item "Damping"

Reference conditions and influencing variables (according to DIN EN 60770-1)

Reference conditions according to DIN EN 61298-1

- Temperature +18 ... +30 °C (+64 ... +86 °F)
- Relative humidity 45 ... 75 %
- Air pressure 860 ... 1060 mbar/86 ... 106 kPa (12.5 ... 15.4 psi)

Determination of characteristics

Limit point adjustment according to IEC 61298-2

Characteristic curve

Linear

Reference installation position

upright, diaphragm points downward

Influence of the installation position

depending on the chemical seal version

Deviation in the current output due to strong, high-frequency electromagnetic fields acc. to EN 61326-1 $< \pm 150 \mu\text{A}$

Deviation (according to IEC 60770-1)

Turn down (TD) is the relation nominal measuring range/adjusted span.

Accuracy class	Non-linearity, hysteresis and repeatability with TD 1 : 1 up to 5 : 1	Non-linearity, hysteresis and repeatability with 5 : 1
0.2 %	$< 0.2 \%$	$< 0.04 \% \times \text{TD}$

Influence of the product temperature

Thermal change zero signal and output span

Turn down (TD) is the relation nominal measuring range/adjusted span.

Average temperature coefficient	In the compensated temperature range 10 ... +70 °C (+50 ... +158 °F)	Outside the compensated temperature range
Turn down 1 : 1	$< 0.05 \%/10 \text{ K}$	typ. $< 0.05 \%/10 \text{ K}$
Turn down 1 : 1 up to 5 : 1	$< 0.1 \%/10 \text{ K}$	-
Turn down up to 10 : 1	$< 0.15 \%/10 \text{ K}$	-

Long-term stability (according to DIN 16086)

Applies to the respective **digital** signal output (e.g. HART, Profibus PA) as well as to **analogue** current output 4 ... 20 mA under reference conditions. Specifications refer to the set span. Turn down (TD) is the ratio nominal measuring range/set span.

Long-term stability zero signal and output $< (0.1 \% \times \text{TD})/\text{year}$ span⁸⁾

Process conditions

Process temperature

The table shows the process temperature for $p_{\text{abs}} \geq 1 \text{ bar}/14.5 \text{ psi}$. Process temperature for $p_{\text{abs}} < 1 \text{ bar}/14.5 \text{ psi}$ see chapter "Chemical seal for vacuum applications".

Isolating liquid	Version	$p_{\text{abs}} \geq 1 \text{ bar}/14.5 \text{ psi}$
Silicone oil VE 2, KN 2	Standard	-40 ... +150 °C (-40 ... +302 °F)
	with cooling element	-40 ... +250 °C (-40 ... +482 °F)
	with capillaries	
Silicone oil KN 17	with cooling element	-90 ... +200 °C (-130 ... +392 °F)
	with capillaries	
High temperature oil VE 32, KN 32	with cooling element	-10 ... +320 °C (+14 ... +752 °F)
	with capillaries	up to 10 h: -10 ... +400 °C (+14 ... +608 °F)

⁸⁾ Depending on which chemical seal is used, the values can also be higher.

Isolating liquid	Version	$p_{\text{abs}} \geq 1 \text{ bar}/14.5 \text{ psi}$
Halocarbon oil KN 21	Standard	-40 ... +150 °C (-40 ... +302 °F)
	For oxygen applications	-40 ... +60 °C (-40 ... +140 °F)
Silicone-free liquid KN 70 ⁹⁾		-40 ... +70 °C (-40 ... +158 °F)
Medical white oil (FDA) VE 92, KN 92	Standard	-10 ... +150 °C (+14 ... +302 °F)
	with cooling element	-10 ... +250 °C (+14 ... +482 °F)
Neobee KN 59		-20 ... +150 °C (+14 ... +302 °F)

Process pressure

Permissible process pressure see specification " *process pressure* " on the type label.

Permissible process pressure for fittings PN 160 in Alloy 400 (2.4360), see following temperature derating:

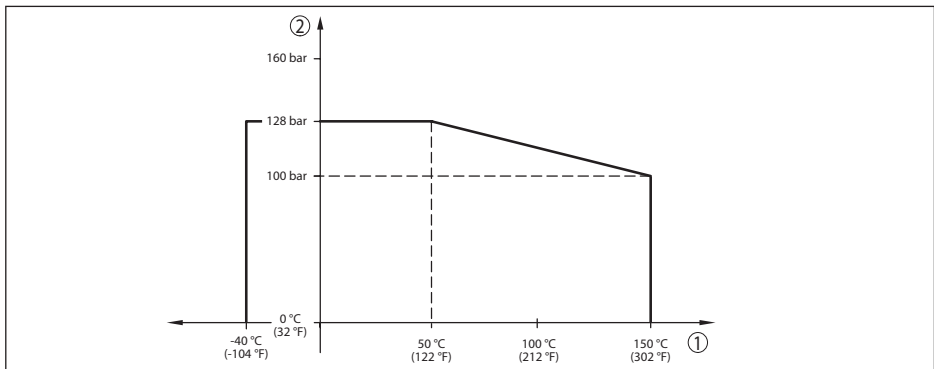


Fig. 25: Temperature derating VEGABAR 81, process fittings Alloy 400 (2.4360)

- 1 Process temperature
- 2 Process pressure

Mechanical stress¹⁰⁾

Vibration resistance

- Standard versions 1 to 4 g at 5 ... 200 Hz according to EN 60068-2-6 (vibration with resonance)
- Version with cooling element and metal housing 0.5 g at 5 ... 200 Hz according to EN 60068-2-6 (vibration with resonance)

Shock resistance

- Standard versions 50 g, 2.3 ms according to EN 60068-2-27 (mechanical shock)
- Version with stainless steel double chamber housing 2 g, 2.3 ms according to EN 60068-2-27 (mechanical shock)

⁹⁾ no vacuum

¹⁰⁾ Depending on the instrument version.

Ambient conditions

Version	Ambient temperature	Storage and transport temperature
Standard version	-40 ... +80 °C (-40 ... +176 °F)	-60 ... +80 °C (-76 ... +176 °F)
Version IP66/IP68 (1 bar)	-20 ... +80 °C (-4 ... +176 °F)	-20 ... +80 °C (-4 ... +176 °F)
Version IP68 (25 bar), with connection cable PUR	-20 ... +80 °C (-4 ... +176 °F)	-20 ... +80 °C (-4 ... +176 °F)
Version IP68 (25 bar), connection cable PE	-20 ... +60 °C (-4 ... +140 °F)	-20 ... +60 °C (-4 ... +140 °F)

Electromechanical data - version IP66/IP67 and IP66/IP68 (0.2 bar) ¹¹⁾

Options of the cable entry

- Cable entry M20 x 1.5; ½ NPT
- Cable gland M20 x 1.5; ½ NPT (cable diameter see below table)
- Blind plug M20 x 1.5; ½ NPT
- Closing cap ½ NPT

Material cable gland/Seal insert	Cable diameter		
	5 ... 9 mm	6 ... 12 mm	7 ... 12 mm
PA/NBR	√	√	-
Brass, nickel-plated/NBR	√	√	-
Stainless steel/NBR	-	-	√

Wire cross-section (spring-loaded terminals)

- Massive wire, stranded wire 0.2 ... 2.5 mm² (AWG 24 ... 14)
- Stranded wire with end sleeve 0.2 ... 1.5 mm² (AWG 24 ... 16)

Electromechanical data - version IP68 (25 bar)

Connection cable transmitter - external housing, mechanical data

- Configuration Wires, strain relief, breather capillaries, screen braiding, metal foil, mantle ¹²⁾
- Standard length 5 m (16.40 ft)
- Max. length 180 m (590.5 ft)
- Min. bending radius at 25 °C/77 °F 25 mm (0.985 in)
- Diameter approx. 8 mm (0.315 in)
- Material PE, PUR
- Colour Black, blue

Connection cable transmitter - external housing, electrical data

- Wire cross-section 0.5 mm² (AWG 20)
- Wire resistance 0.037 Ω/m (0.012 Ω/ft)

¹¹⁾ IP66/IP68 (0.2 bar), only with absolute pressure.

¹²⁾ Breather capillaries not with Ex d version.

Interface to the Primary Device

Data transmission	Digital (I ² C-Bus)
Connection cable Secondary - Primary, mechanical data	
– Configuration	Cores, strain relief, braided, metal foil, jacket
– Standard length	5 m (16.40 ft)
– Max. length	70 m (229.7 ft)
– Min. bending radius (at 25 °C/77 °F)	25 mm (0.985 in)
– Diameter	approx. 8 mm (0.315 in), approx. 6 mm (0.236 in)
– Material	PE, PUR
– Colour	Black, blue
Connection cable Secondary - Primary, electrical data	
– Wire cross-section	0.34 mm ² (AWG 22)
– Wire resistance	< 0.05 Ω/m (0.015 Ω/ft)

Voltage supply for the complete system through Primary Device

Operating voltage	
– U _{B min}	12 V DC
– U _{B min} with lighting switched on	16 V DC
– U _{B max}	Depending on the signal output and version of the Primary Devices

Potential connections and electrical separating measures in the instrument

Electronics	Non-floating
Galvanic separation	
– between electronics and metallic parts of the device	Reference voltage 500 V AC
Conductive connection	Between ground terminal and metallic process fitting

Electrical protective measures ¹³⁾

Housing material	Version	Protection acc. to IEC 60529	Protection acc. to NEMA
Plastic	Single chamber	IP66/IP67	Type 4X
Aluminium	Single chamber	IP66/IP67	
		IP66/IP68 (0.2 bar) IP66/IP68 (1 bar)	Type 6P
Stainless steel (electro-polished)	Single chamber	IP66/IP67	Type 4X
		IP69K	
Stainless steel (precision casting)	Single chamber	IP66/IP67	Type 4X
		IP66/IP68 (0.2 bar)	Type 6P
		IP66/IP68 (1 bar)	

¹³⁾ Protection rating IP66/IP68 (0.2 bar) only in conjunction with absolute pressure, as no air compensation is possible when the sensor is completely flooded

Housing material	Version	Protection acc. to IEC 60529	Protection acc. to NEMA
Stainless steel	Transmitter, version with external housing	IP68 (25 bar)	-

Altitude above sea level

- by default up to 2000 m (6562 ft)
- with connected overvoltage protection on the Primary Device up to 5000 m (16404 ft)

Pollution degree ¹⁴⁾ 4

Protection rating (IEC 61010-1) II

10.2 Dimensions

The following dimensional drawings represent only an extract of the possible versions. Detailed dimensional drawings can be downloaded at www.vega.com under "Downloads" and "Drawings".

¹⁴⁾ When used with fulfilled housing protection.

Housing

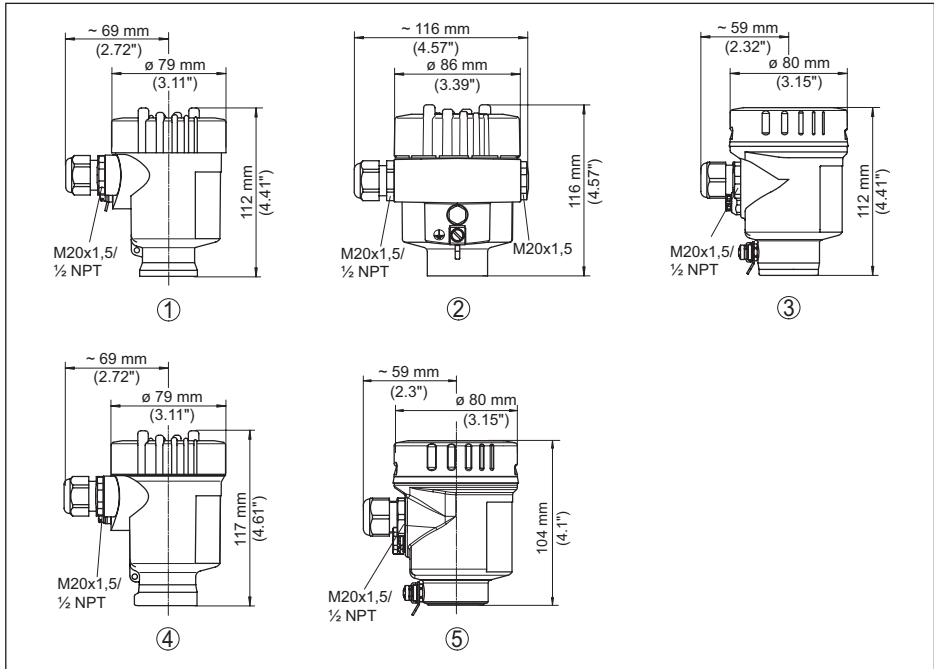


Fig. 26: Housing versions in protection rating IP66/IP67 and IP66/IP68 (0.2 bar), (with integrated display and adjustment module the housing is 9 mm/0.35 in or 18 mm/0.71 in higher)

- 1 Plastic single chamber (IP66/IP67)
- 2 Aluminium - single chamber
- 3 Stainless steel single chamber (electropolished)
- 4 Stainless steel single chamber (precision casting)
- 5 Stainless steel single chamber (electropolished) IP69K

External housing on IP68 version

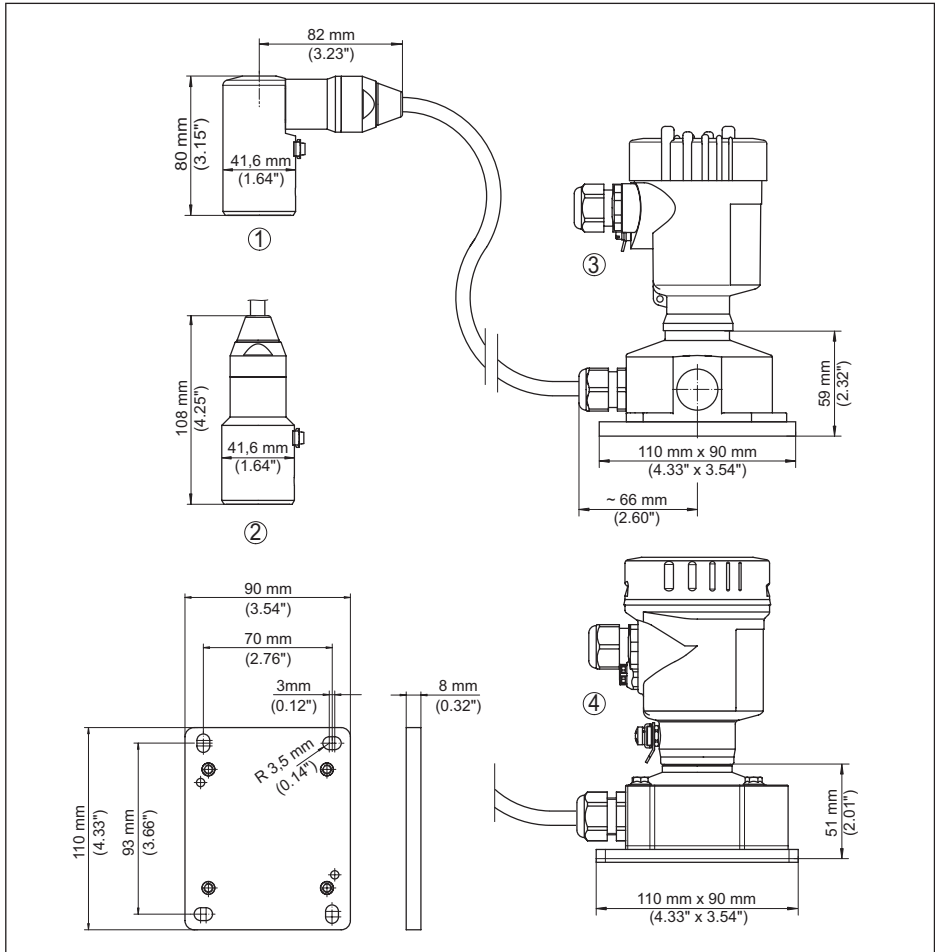


Fig. 27: VEGABAR 81, IP68 version with external housing

- 1 Lateral cable outlet
- 2 Axial cable outlet
- 3 Plastic single chamber
- 4 Stainless steel single chamber
- 5 Seal 2 mm (0.079 in), (only with 3A approval)

VEGABAR 81, threaded fitting

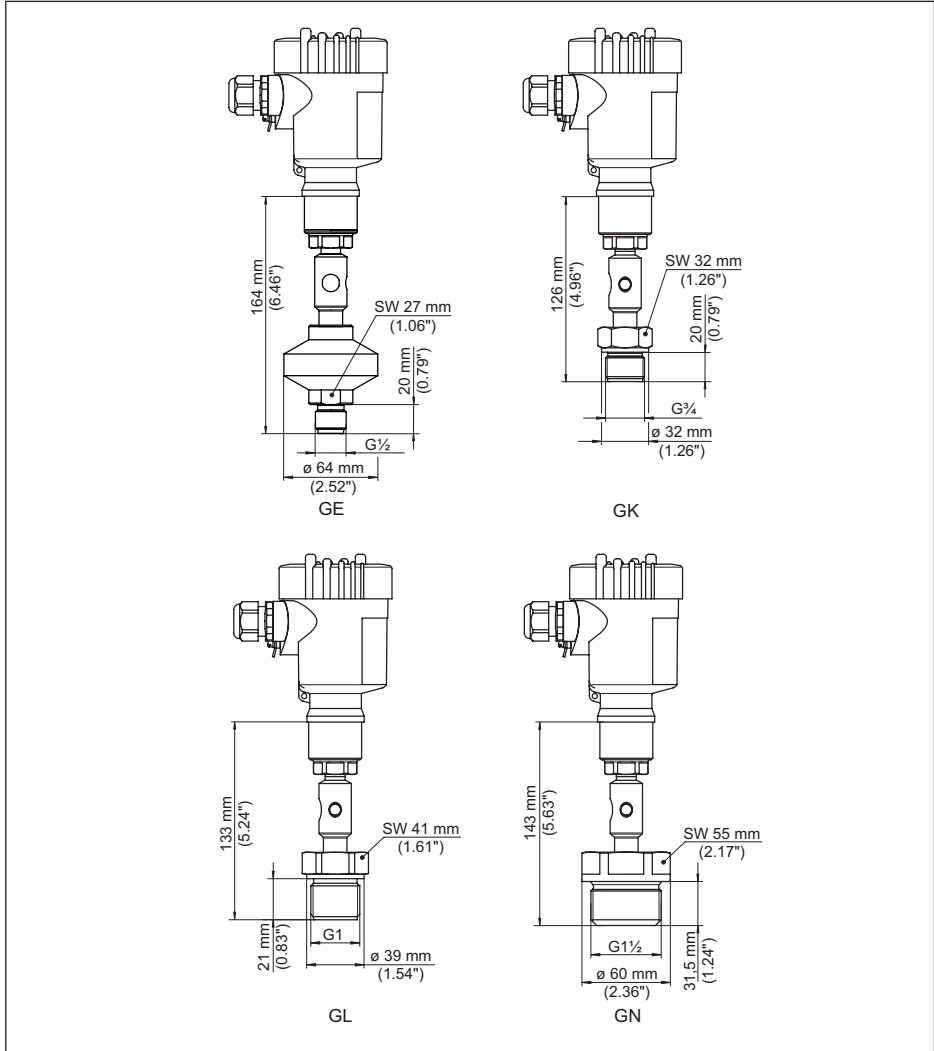


Fig. 28: VEGABAR 81, threaded fitting

GE $G\frac{1}{2}$ A outside PN 160 (ISO 228-1); diaphragm: inside; > 105 °C with temperature adapter

GK $G\frac{3}{4}$ A outside PN 600 (DIN 3852-E); diaphragm: front-flush

GL $G1$ A outside PN 600 (ISO 228-1); diaphragm: front-flush

GN $G1\frac{1}{2}$ PN 600 (DIN 3852-A); diaphragm: front-flush

VEGABAR 81, tube isolating diaphragm

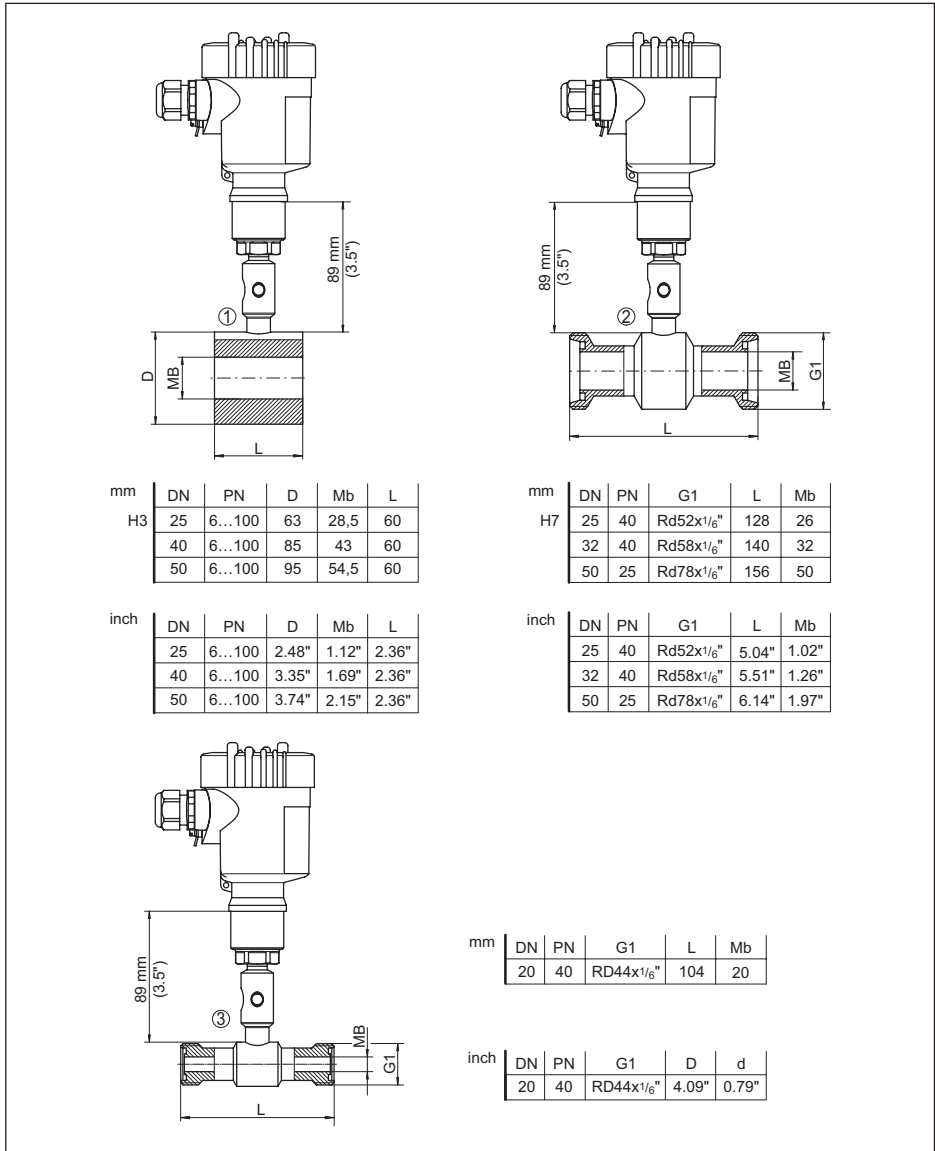


Fig. 29: VEGABAR 81, tube isolating diaphragm

- 1 Tube isolating diaphragm for mounting between flanges
- 2 Tube isolating diaphragm according to DIN 11851
- 3 Tube isolating diaphragm according to DIN 11864-1

VEGABAR 81, flange connection, dimensions in mm

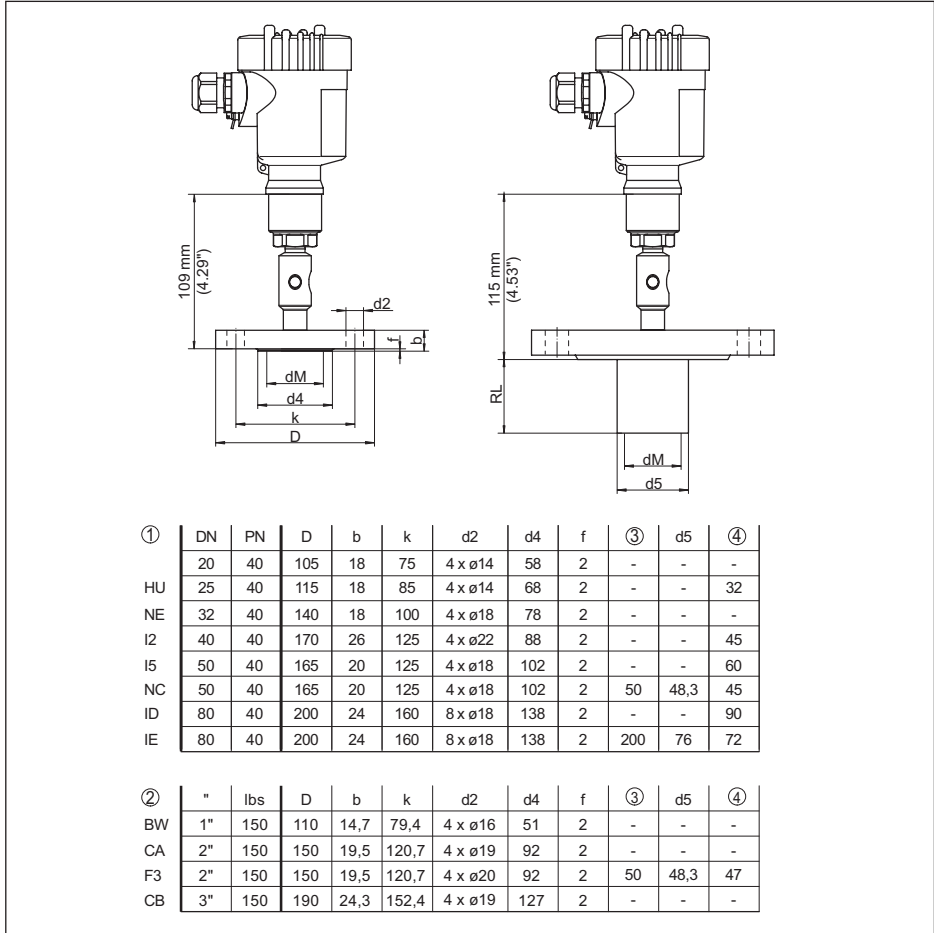


Fig. 30: VEGABAR 81, flange connection, dimensions in mm

1 Flange connection according to DIN 2501

2 Flange connection according to ASME B16.5

3 Order-specific

4 Diaphragm diameter

VEGABAR 81, flange connection, dimensions in inch

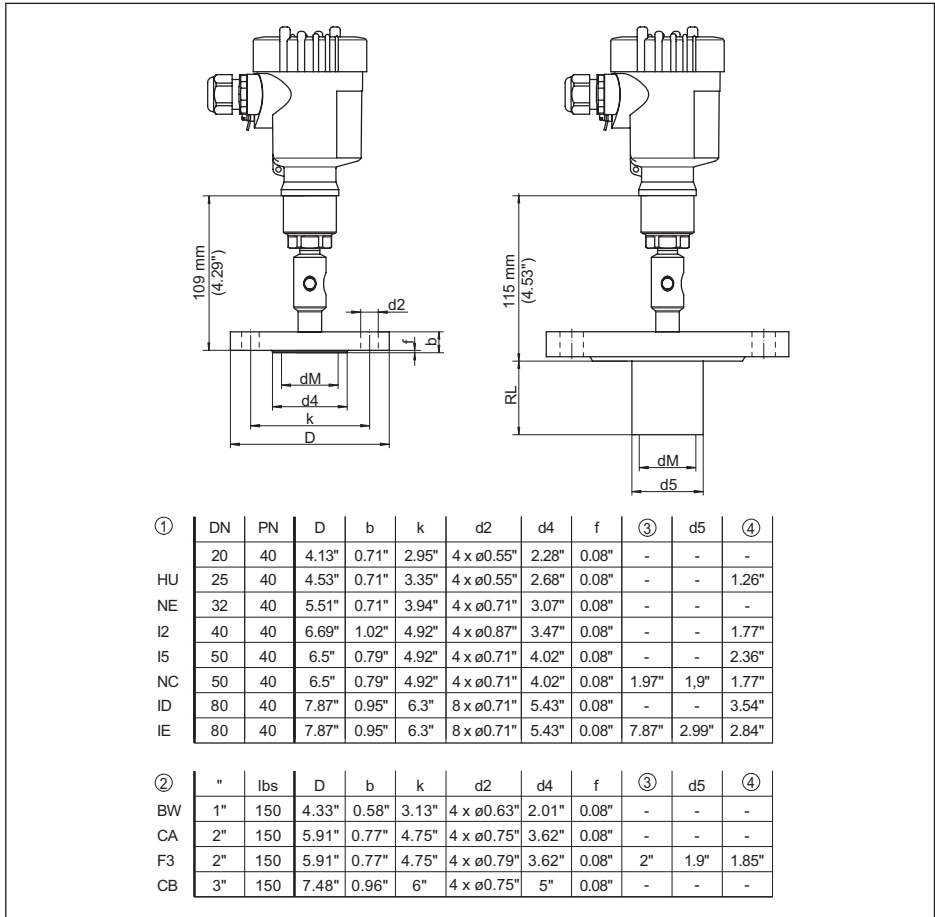


Fig. 31: VEGABAR 81, flange connection, dimensions in inch

- 1 Flange connection according to DIN 2501
- 2 Flange connection according to ASME B16.5
- 3 Order-specific
- 4 Diaphragm diameter

VEGABAR 81, flange and cell isolating diaphragm with capillary line

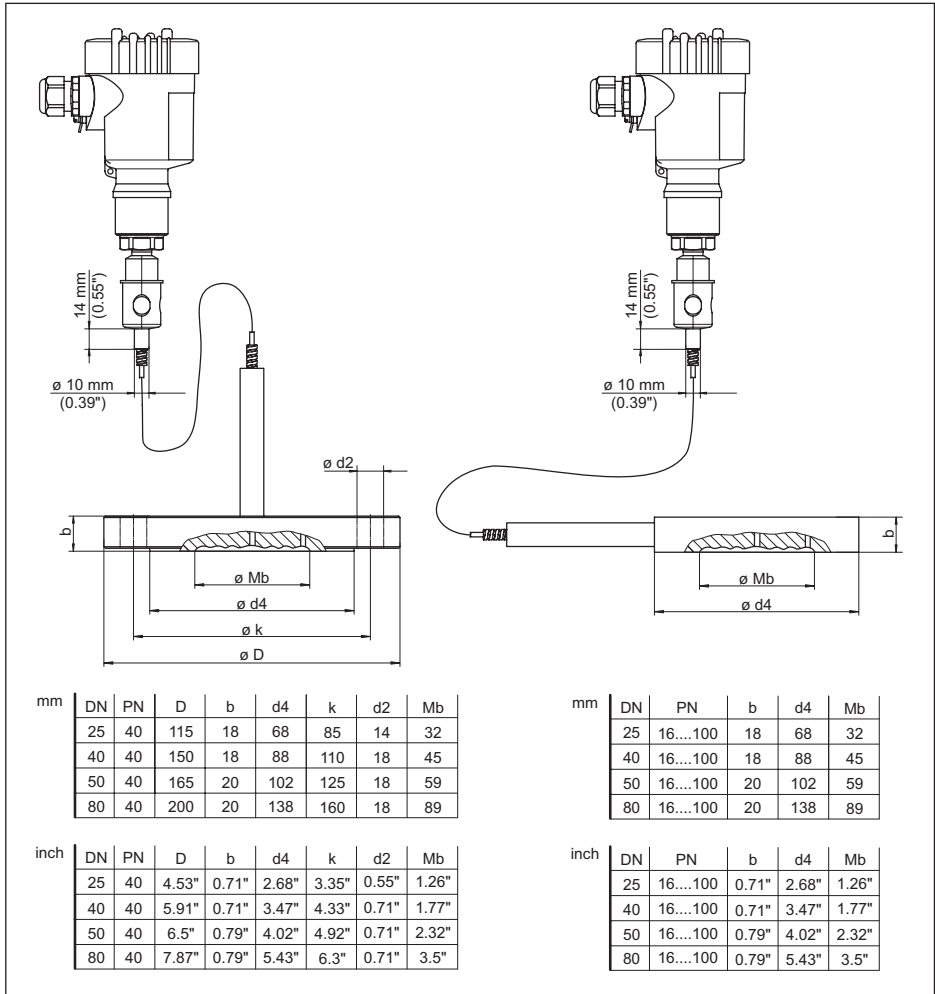


Fig. 32: VEGABAR 81, flange and cell isolating diaphragm with capillary line

- 1 Flange isolating diaphragm with capillary line
- 2 Cell isolating diaphragm with capillary line

10.3 Industrial property rights

VEGA product lines are global protected by industrial property rights. Further information see www.vega.com.

VEGA Produktfamilien sind weltweit geschützt durch gewerbliche Schutzrechte.

Nähere Informationen unter www.vega.com.

Les lignes de produits VEGA sont globalement protégées par des droits de propriété intellectuelle. Pour plus d'informations, on pourra se référer au site www.vega.com.

VEGA lineas de productos están protegidas por los derechos en el campo de la propiedad industrial. Para mayor información revise la pagina web www.vega.com.

Линии продукции фирмы ВЕГА защищаются по всему миру правами на интеллектуальную собственность. Дальнейшую информацию смотрите на сайте www.vega.com.

VEGA系列产品在全球享有知识产权保护。

进一步信息请参见网站 < www.vega.com。

10.4 Trademark

All the brands as well as trade and company names used are property of their lawful proprietor/originator.

INDEX**A**

Adjustment 36, 37, 38, 39, 40
– Level 41
– Unit 34
AI FB1 Function Block 42

C

Channel 43
Characteristic values of the differential pressure transmitter 46
Connection
– Steps 25
– Technology 25
Current output 45

D

Documentation 7

E

Electrical connection 24

F

Fault rectification 49

G

Gas-tight leadthrough (Second Line of Defense)
15

L

Linearisation 42

M

Maintenance 49
Measurement setup
– Density measurement 20
– Differential pressure measurement 18
– Interface measurement 19
– Level measurement 17, 21
Measuring system 9

O

Oxygen applications 14

P

Parameterization example 36
Peak indicator 45
PIN 31
Position correction 35
Pressure compensation 16
– Ex d 15

– Second Line of Defense 15
– Standard 15

Q

QR code 7

R

Repair 51

S

Safety Integrity Level (SIL)
– Lock adjustment 43
– Operating sequence 33
Seal concept 10
Serial number 7
Service hotline 49
Set display parameters 44
Simulation 45

T

Type label 7



Printing date:

VEGA

All statements concerning scope of delivery, application, practical use and operating conditions of the sensors and processing systems correspond to the information available at the time of printing.

Subject to change without prior notice

© VEGA Grieshaber KG, Schiltach/Germany 2023



48045-EN-230914

VEGA Grieshaber KG
Am Hohenstein 113
77761 Schiltach
Germany

Phone +49 7836 50-0
E-mail: info.de@vega.com
www.vega.com