



Product information

Radar

Point level detection

VEGAMIP



Document ID: 37570

VEGA

Contents

1 Measuring principle..... 3

2 Type overview..... 4

3 Instrument selection..... 5

4 Housing overview 6

5 Mounting..... 7

6 Electronics - VEGAMIP R61 - Relay output..... 9

7 Adjustment 10

8 Dimensions..... 11

Take note of safety instructions for Ex applications



Please note the Ex specific safety information that you can find at www.vega.com and that comes with each instrument. In hazardous areas you should take note of the appropriate regulations, conformity and type approval certificates of the sensors and power supply units. The sensors must only be operated on intrinsically safe circuits. The permissible electrical values are stated in the certificate.

1 Measuring principle

VEGAMIP is a microwave barrier for level detection.

The emitting unit transmits a focused microwave signal via horn antenna to the receiving unit on the opposite side. If there is medium between emitting and receiving unit, the signal is damped. This change is detected by the built-in electronics module and converted into a switching command.

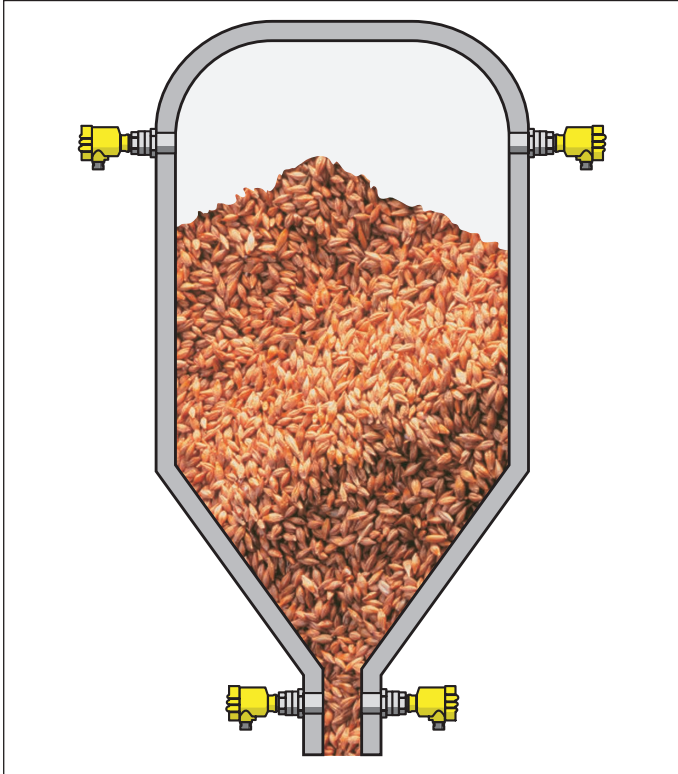


Fig. 1: Examples for the arrangement of the emitting and receiving unit

Microwaves work contactlessly and can penetrate many non-conductive materials. Hence a measurement through plastic vessels or vessel walls is possible. A measurement with metal or concrete vessel is also possible through a glass, plastic or ceramic window.

It is designed for industrial use in all areas of process technology and can be used in bulk solids and liquids.

Typical applications are the output of an overflow and empty signal. With an operating distance of 100 m, VEGAMIP can be used, for example, in bulk solids silos with large diameters. Thanks to its simple and rugged measuring system, VEGAMIP is virtually unaffected by the process and the chemical and physical properties of the medium.

VEGAMIP can also be used for detection of vehicles and ships or for material recognition on conveyor belts.

It works even under extremely difficult conditions: different grain sizes, contamination, extreme filling noise, high temperatures, strong dust generation and abrasive products are all no problem for the instrument.

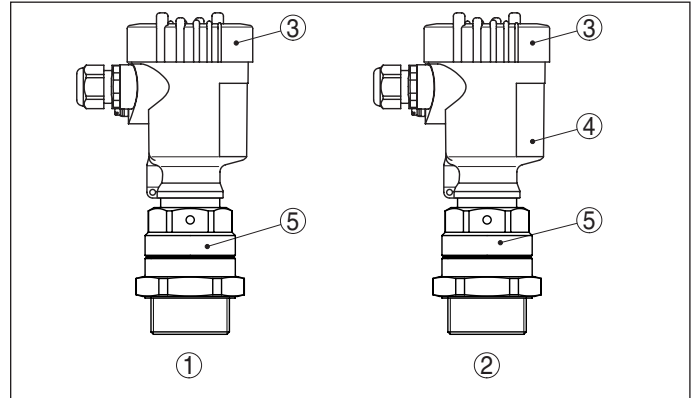


Fig. 2: VEGAMIP with plastic housing

- 1 Emitting unit VEGAMIP T61
- 2 Receiving unit VEGAMIP R61 with control electronics
- 3 Housing lid
- 4 Housing with control electronics
- 5 Process fitting

2 Type overview



Media	Bulk solids and liquids	Bulk solids and liquids	Bulk solids and liquids with high temperatures
Housing	<ul style="list-style-type: none"> ● Plastic ● Aluminium ● Stainless steel 	<ul style="list-style-type: none"> ● Plastic ● Aluminium ● Stainless steel 	<ul style="list-style-type: none"> ● Aluminium ● Stainless steel
Process fitting	G1½, 1½ NPT	Flanges from DN 50 or 2"	G2
Material	316L	PP	316L
Process fitting			
Material	FKM (Viton)	FKM (Viton)	Graphite
Instrument seal			
Material	PTFE	PP	Al ₂ O ₃ ceramic
Antenna cover			
Measuring range	0.1 ... 100 m (0.33 ... 328 ft)	0.1 ... 100 m (0.33 ... 328 ft)	0.1 ... 100 m (0.33 ... 328 ft)
Process temperature	-40 ... +80 °C (-40 ... +176 °F)	-40 ... +80 °C (-40 ... +176 °F)	-40 ... +450 °C (-40 ... +842 °F)
Ambient, storage and transport temperature	-40 ... +80 °C (-40 ... +176 °F)	-40 ... +80 °C (-40 ... +176 °F)	-40 ... +80 °C (-40 ... +176 °F)
Signal output	Relay output	Relay output	Relay output
Approvals	ATEX	ATEX	ATEX

3 Instrument selection

Application area

The microwave sensor VEGAMIP is mainly used in bulk solids applications. The measurement is insensitive to dust, contamination and buildup. The VEGAMIP detects the limit level reliably independent of consistency and moisture content of the product and in applications with abrasive products and high temperatures.

The non-contact measuring principle is particularly suitable for the rough operating conditions in the mineral stone generation, coal and ore processing. Further applications are for example conveyor belts and high temperature applications in blast furnaces and waste incineration plants.

Similar to a light barrier, the microwave barrier can be also used for object monitoring.

Antenna versions

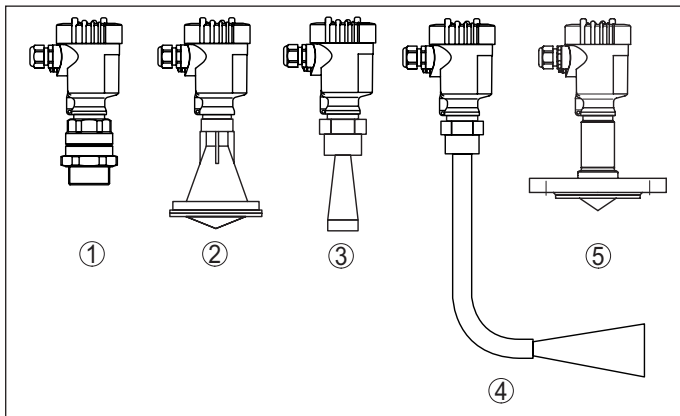


Fig. 3: Antenna versions

- 1 Threaded version, internal horn antenna with PTFE cover
- 2 Plastic encapsulated antenna with PP cover
- 3 Horn antenna (316L)
- 4 VEGAMIP with angled antenna extension
- 5 Encapsulated horn antenna with PTFE cover

Abrasion protection

Mounting adapter "Abrasion protection"

In case of extremely abrasive conditions you can cover the emitting and receiving units with a ceramic abrasion protection. This mounting adapter "Abrasion protection" is screwed onto the thread of VEGAMIP like an adapter.

The mounting adapter "Abrasion protection" can only be used with the threaded version (internal horn antenna with PTFE cover)

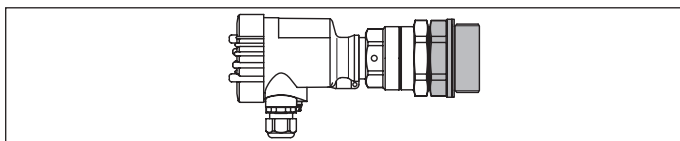


Fig. 4: VEGAMIP with ceramic mounting adapter "Abrasion protection"
-40 ... +80 °C (-40 ... +176 °C)

High temperature applications

With high process temperatures exceeding 80 °C, you can use a mounting adapter for the emitting and receiving units. The mounting adapter can only be used with the encapsulated horn antenna with PTFE cover (G1½).

There are two version with different lengths and temperature ranges.

- Mounting adapter 150 mm - Temperature range -40 ... +250 °C
- Mounting adapter 300 mm - Temperature range -40 ... +450 °C

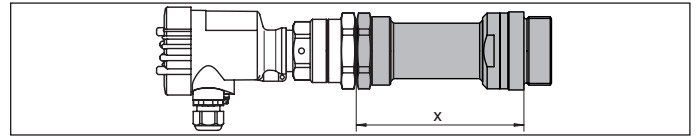


Fig. 5: VEGAMIP with high temperature mounting adapter
x Length: Mounting adapter "High temperature"

As an option, the "high temperature" mounting adapter can also be equipped with an extension for front-flush mounting.

This means that the device can also be installed in long sockets where there is a risk of medium being deposited in the socket. The extension is available in five lengths: 40, 60, 80, 100 and 150 mm (1.57, 2.36, 3.15, 3.94, 5.91 in).

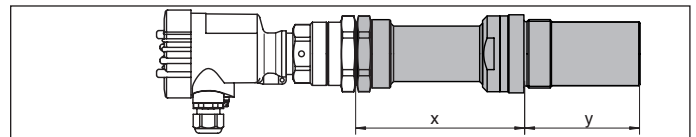


Fig. 6: VEGAMIP with mounting adapter "High temperature with extension"
-40 ... +450 °C (-40 ... +842 °F)


Adjustment, electronics


The signal output of VEGAMIP is a relay output.



All adjustment elements required for adjustment are located on the exchangeable electronics module.

In the download section under www.vega.com/downloads you'll find free operating instructions, product information, brochures, approval documents, instrument drawings and much, much more.

4 Housing overview

Plastic PBT	
Protection rating	IP66/IP67
Version	Single chamber
Application area	Industrial environment

Aluminium	
Protection rating	IP66/IP67, IP66/IP68 (1 bar)
Version	Single chamber
Application area	Industrial environment with increased mechanical stress

Stainless steel 316L		
Protection rating	IP66/IP67	IP66/IP67, IP66/IP68 (1 bar)
Version	Single chamber, electropolished	Single chamber, precision casting
Application area	Aggressive environment, food processing, pharmaceutical	Aggressive environment, extreme mechanical stress

5 Mounting

Installation position

The two sensors should be directed in to each other in a range of $\pm 5^\circ$.

General rule: the bigger the antenna and the better it focusses, the more precise the orientation has to be.

If possible, install VEGAMIP in a position where strong signal damping by the medium is expected.

It is useful to select the mounting position in such a way that the instrument is in easy reach for mounting and connection as well as for adjustment. For this purpose, the housing can be rotated by 330° without any tools.

Mounting examples

The following illustrations show mounting examples and measurement setups.

Bulk solids vessel

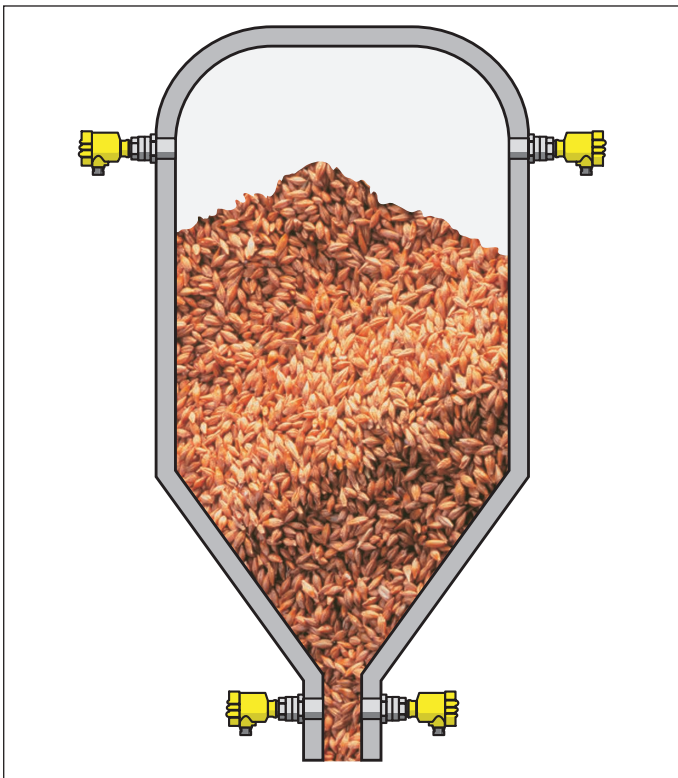


Fig. 7: Level detection in a bulk solids vessel

The VEGAMIP can be mounted via an adapter flange or directly into the vessel wall. The measurement is robust and maintenance free and can be used independently of the product properties.

Conveyor belt

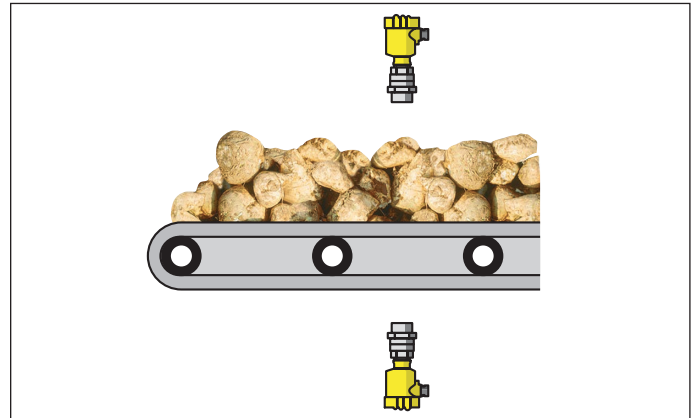


Fig. 8: Material detection on a conveyor belt

The VEGAMIP can detect reliably and independent of the ambient conditions the availability of product on the conveyor belt.

Object detection

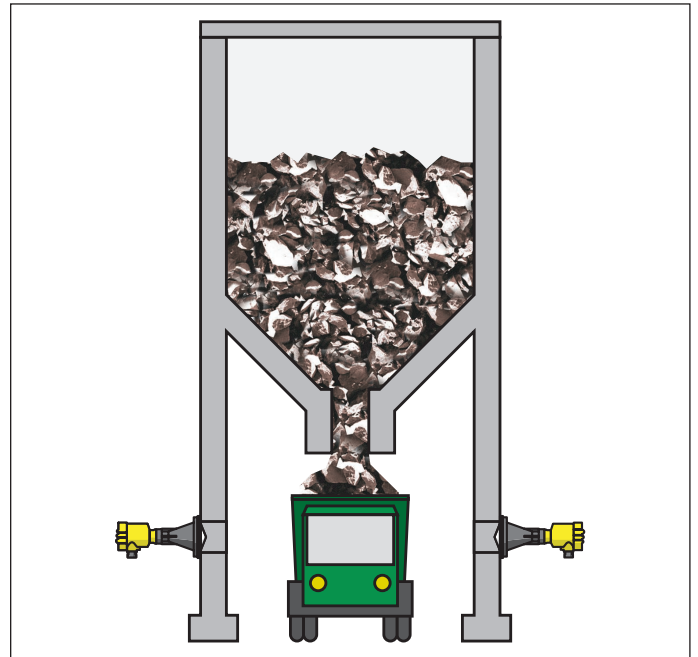


Fig. 9: Object detection on a truck loading facility

The VEGAMIP can be also used for object or position detection. Ambient influences such as dust, fog, snow or rain do not disturb the measurement. Different mounting possibilities enable a simple mounting.

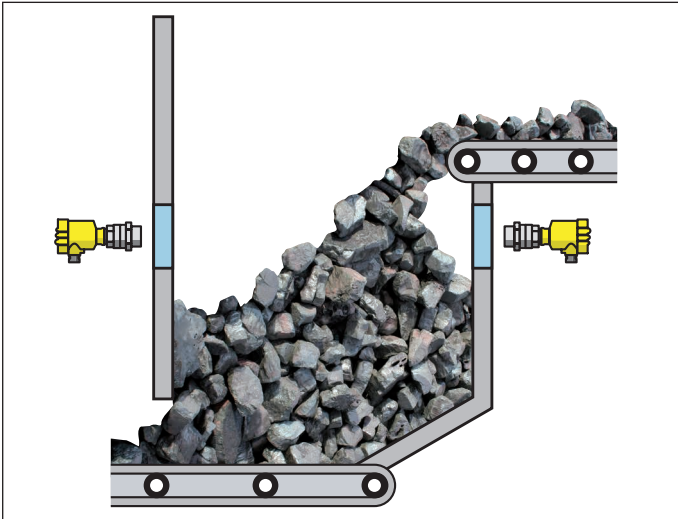
Backwater vessel

Fig. 10: Level detection on a backwater vessel

The VEGAMIP can detect the limit level through a suitable window of plastic, glass or ceramic, and that completely maintenance free and independent of process conditions in the vessel.

6 Electronics - VEGAMIP R61 - Relay output

Configuration of the electronics

The plug-in electronics is mounted in the electronics compartment of the instrument and can be exchanged by the user when servicing is required. The electronics is completely encapsulated to protect against vibration and moisture.

The terminals for the voltage supply and the signal output are located on the upper side of the electronics.

Voltage supply

The oscillator with relay output is designed in protection class 1. To maintain this protection class, it is absolutely necessary that the ground conductor be connected to the internal ground terminal. Take note of the general installation regulations. As a rule, connect VEGAMIP to vessel ground (PA), or in case of plastic vessels, to the next ground potential. On the side of the housing there is a ground terminal between the cable entries. This connection serves to drain off electrostatic charges. In Ex applications, the installation regulations for hazardous areas must be given priority.

- Operating voltage
 - 20 ... 253 V AC, 20 ... 72 V DC

Connection cable

The instrument is connected with standard two-wire cable without shielding. If electromagnetic interference is expected which is above the test values of EN 61326 for industrial areas, shielded cable should be used.

Use cable with round cross section. An outer cable diameter of 5 ... 9 mm (0.2 ... 0.35 in) ensures the seal effect of the cable gland.

Wiring plan

We recommend connecting VEGAMIP in such a way that the switching circuit is open when there is a level signal, line break or failure (safe state).

- **Information:**
 - The relays are always shown in non-operative condition.

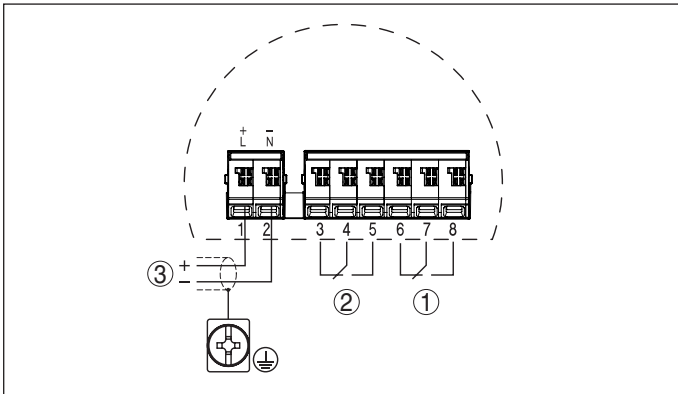


Fig. 11: Wiring plan, receiving unit - VEGAMIP (receiver)

- 1 Relay output
- 2 Relay output
- 3 Voltage supply

7 Adjustment

7.1 Overview

The signal output of the limit switch is a relay output.

7.2 Adjustment

Receiving unit

All necessary settings can be carried out on the receiving unit of VEGAMIP.

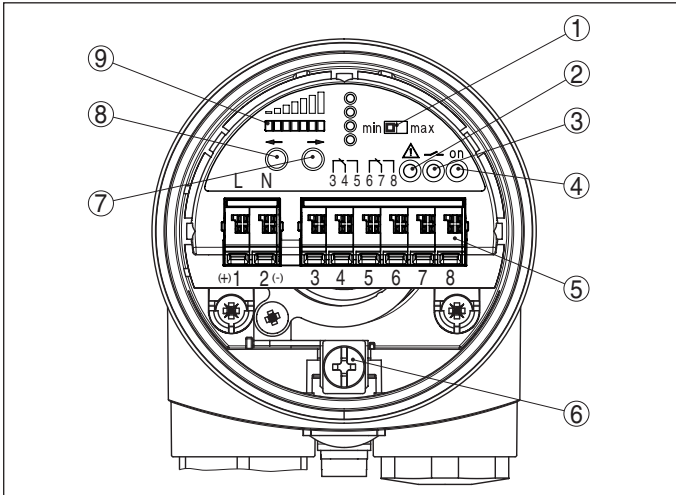


Fig. 12: Electronics module MPE60R receiver unit - Relay output

- 1 Mode switch for selecting the switching behaviour (min./max.)
- 2 Control lamp (LED) for indication of a fault (red)
- 3 Signal lamp (LED) for indication of the switching status (yellow)
- 4 Control lamp (LED) for indication of the instrument function (green)
- 5 Connection terminals
- 6 Ground terminal
- 7 Key for adjustment of the sensitivity and the switching delay (-->)
- 8 Key for adjustment of the sensitivity and the switching delay (<--)
- 9 LED indicating board for indication of reception strength (yellow)

Signal lamps (2, 3, 4)

There are three control lamps (LED) on the electronics module

- Control lamp (red) for indication of a fault (2)
- Control lamp (yellow) for indication of the switching condition (3)
- Control lamp (green) for indication of the instrument function (4)

Mode switch (1)

With the mode adjustment (max./min.) you can change the switching condition of the relay. You can set the required mode (max. - max. detection or overflow protection, min. - min. detection or dry run protection).

Sensitivity adjustment (7, 8)

With these keys (7 and 8) you can adjust the switching point to the medium.

Depending on the process, the sensitivity of VEGAMIP must be set higher or lower.

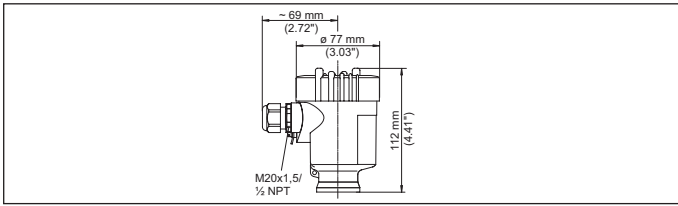
With the two keys, also a switching delay between 100 ms and 20 s can be adjusted.

LED indication strip - receive level (9)

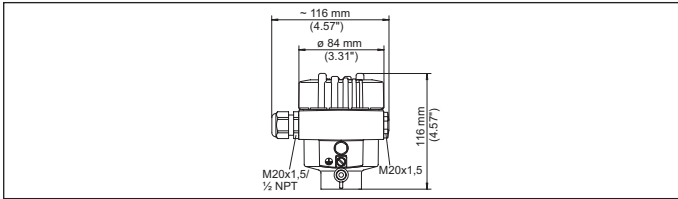
By means of the LED indicating strip, you can see the actual receive level during adjustment.

8 Dimensions

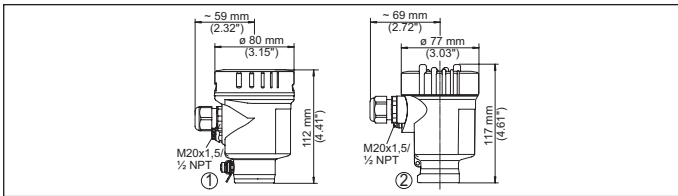
Plastic housing



Aluminium housing



Stainless steel housing



- 1 Single chamber housing, electropolished
- 2 Single chamber housing, precision casting

VEGAMIP

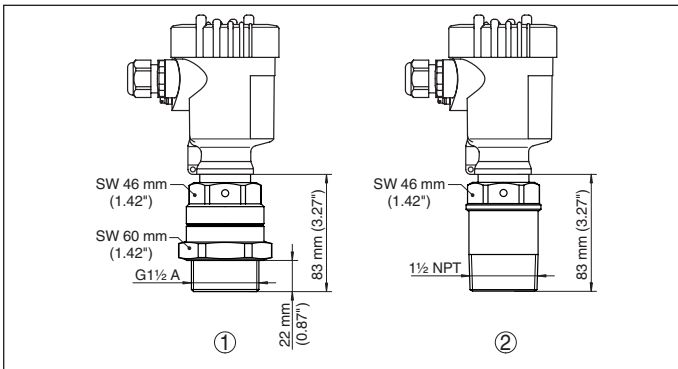


Fig. 13: VEGAMIP

- 1 Threaded version, encapsulated horn antenna with PTFE cover (G1½)
- 2 Threaded version, encapsulated horn antenna with PTFE cover (1½ NPT)

VEGAMIP

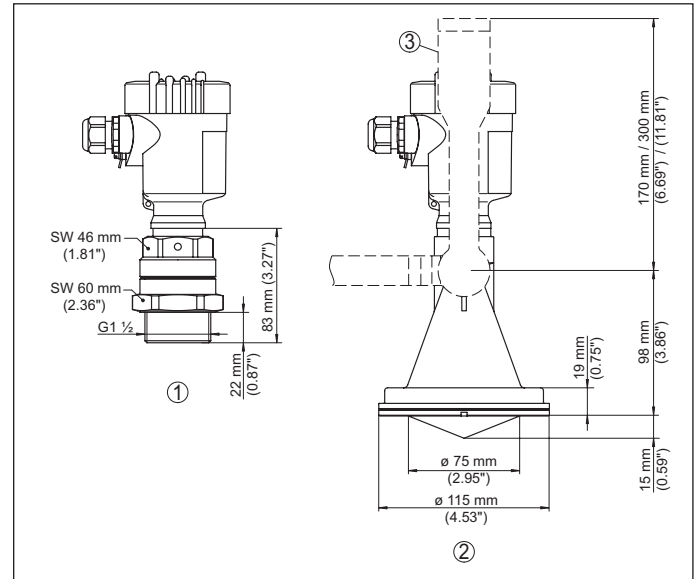


Fig. 14: VEGAMIP

- 1 Threaded version, encapsulated horn antenna with PTFE cover (G1½)
- 2 Plastic encapsulated antenna with PP cover
- 3 Mounting strap
- 4 Adapter flange

VEGAMIP, mounting adapter "Abrasion protection" -40 ... +80 °C (-40 ... +176 °F)

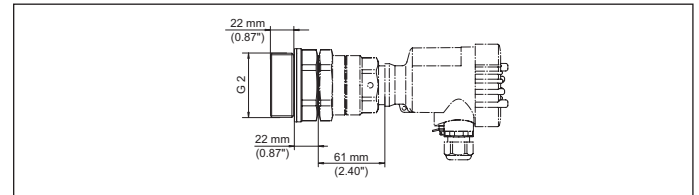


Fig. 15: Mounting adapter with ceramic cover (optional) for VEGAMIP with internal horn antenna, threaded version G1½ with PTFE cover (also with 1½ NPT thread)

VEGAMIP, mounting adapter "High temperature" -40 ... +450 °C (-40 ... +842 °F)

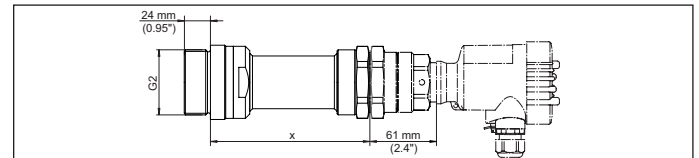


Fig. 16: Mounting adapter with ceramic cover (optional) for VEGAMIP with internal horn antenna, threaded version G1½ with PTFE cover (also with 1½ NPT thread)

- x 150 mm (5.9 in), -40 ... +250 °C (-40 ... +482 °F)
- x 300 mm (11.8 in), -40 ... +450 °C (-40 ... +842 °F)

VEGAMIP, mounting adapter "High temperature with extension"
-40 ... +450 °C (-40 ... +842 °F)

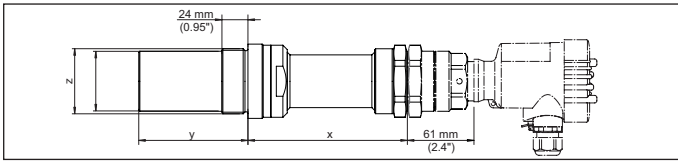


Fig. 17: Mounting adapter with extension for front-flush mounting, for VEGAMIP with internal horn antenna, threaded version G 1½ with PTFE cover (also with 1½ NPT thread)

- x 150 mm (5.9 in), -40 ... +250 °C (-40 ... +482 °F)
- x 300 mm (11.8 in), -40 ... +450 °C (-40 ... +842 °F)
- y Extension length 40, 60, 80, 100 or 150 mm (1.57, 2.36, 3.15, 3.94, 5.91 in)

The listed drawings are only an excerpt of the available process fittings. You can find more drawings on our homepage www.vega.com » Downloads » Drawings.



All statements concerning scope of delivery, application, practical use and operating conditions of the sensors and processing systems correspond to the information available at the time of printing.
Subject to change without prior notice

© VEGA Grieshaber KG, Schiltach/Germany 2020

VEGA Grieshaber KG
Am Hohenstein 113
77761 Schiltach
Germany

Phone +49 7836 50-0
Fax +49 7836 50-201
E-mail: info.de@vega.com
www.vega.com

VEGA

37570-EN-200522