

VEGAKON 66

Relay (DPDT)

Conductive multiple rod level switch for liquids



Application area

The VEGAKON 66 is a conductive point level switch for conductive liquids. The instrument can be used as full or empty alarm.

Your benefit

- Reliable pump control through multiple rod electrode
- High flexibility in use through shortenable rod electrodes
- Reduced stock-keeping through exchangeable rod probes

Function

The instruments operate according to the conductive measuring principle and are used in conductive liquids. When immersed, the probe detects the product resistance. A low alternating current is detected by the integrated electronics and converted into an appropriate switching signal. The switching point is determined via the mounting position or the length of the respective probes.

Technical data

Conductance of the medium	min. 5 μ S/cm with 30 mm electrode covering
Probe length	up to 4 m (13.12 ft)
Process fittings	Thread G1½
Process pressure	-1 ... +6 bar/-100 ... +600 kPa (-14.5 ... +87 psig)
Process temperature	-40 ... +100 °C (-40 ... +212 °F)
Ambient, storage and transport temperature	-40 ... +80 °C (-40 ... +176 °F)
Voltage supply	20 ... 253 V AC, 50/60 Hz, 20 ... 72 V DC
Power consumption	1 ... 8 VA (AC), approximately 1.5 W (DC)
Switching voltage	max. 253 V AC/DC
Switching current	max. 3 A AC (cos phi > 0,9), 1 A DC
Breaking capacity	min. 50 mW, max. 750 VA AC, 40 W DC (with U < 40 V DC)

Materials

The wetted parts of the instrument are made of plastic PP.

You will find a complete overview of the available materials and seals in the "configurator" on our homepage at www.vega.com/configurator.

Housing versions

The housings are available in plastic or Aluminium.

The plastic housing has protection rating up to IP66, the Aluminium housing protection rating IP66/IP67.

Electronics versions

The instruments are available in two different electronics versions. Apart from the electronics with relay output (DPDT), a version with transistor output (PNP) is also available.

Approvals

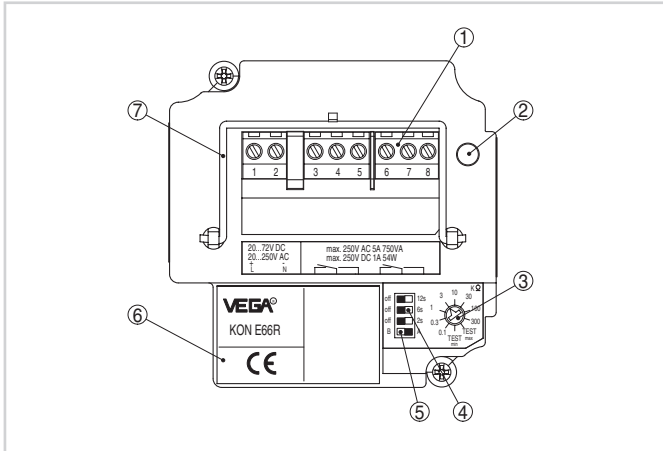
Worldwide approvals are available for VEGA instruments, e.g. for use in hazardous areas, on ships or in hygienic applications.

The technical data in the respective safety instructions are valid for approved instruments (e.g. with Ex approval). In some cases, these data can differ from the data listed herein.

You can find detailed information on the existing approvals with the appropriate product on our homepage.

Adjustment

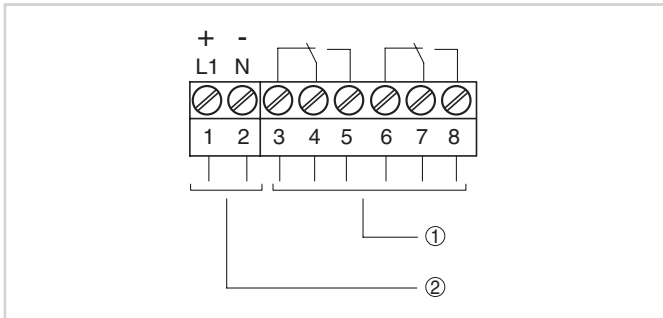
You can adjust the mode and the integration time of the level switch on the electronics module and adapt the sensor to the conductive value of the medium. The control lamp indicates the switching condition of the instrument.



- 1 Connection terminals
- 2 Control lamp (LED)
- 3 Rotary switch: Adjustment of the conductivity value
- 4 DIL switch: Integration time
- 5 Mode switch (A/B)
- 6 Type label
- 7 Tensile proving ring

Electrical connection

Is used to switch external voltage sources to relays, contactors, magnetic valves, horns etc.

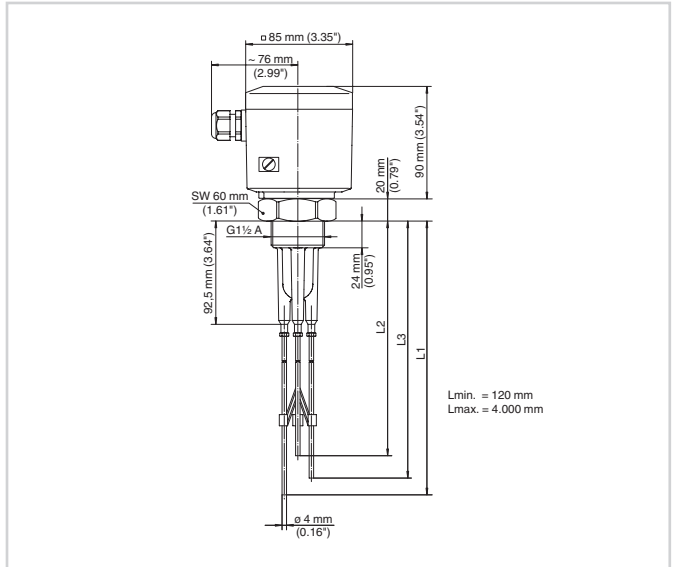


Electronics with relay output

- 1 Relay output
- 2 Voltage supply

You can find details on electrical connection in the instrument operating instructions on our homepage at www.vega.com/downloads.

Dimensions



VEGAKON 66 with three probes

- L1 Length ground probe
- L2 Length max. probe
- L3 Length min. probe

Information

You can find further information on the VEGA product line on our homepage.

In the download section of our homepage you'll find operating instructions, product information, industry brochures and approval documents as well as device and adjustment software.

Instrument selection

On our homepage under "Products" you can select the suitable measuring principle and instrument for your application.

There you will also find detailed information on the available device versions.

Contact

You can find your personal contact person at VEGA on our homepage under "Contact".