

# Operating Instructions

Vibrating level switch for powders

## VEGAWAVE 61

Contactless electronic switch



Document ID: 32246



**VEGA**

# Contents

<b>1</b>	<b>About this document</b> .....	<b>4</b>
1.1	Function .....	4
1.2	Target group .....	4
1.3	Symbols used.....	4
<b>2</b>	<b>For your safety</b> .....	<b>5</b>
2.1	Authorised personnel .....	5
2.2	Appropriate use.....	5
2.3	Warning about incorrect use.....	5
2.4	General safety instructions .....	5
2.5	Safety label on the instrument .....	6
2.6	Conformity.....	6
2.7	SIL conformity .....	6
2.8	Installation and operation in the USA and Canada .....	6
2.9	Safety instructions for Ex areas .....	6
2.10	Environmental instructions .....	6
<b>3</b>	<b>Product description</b> .....	<b>7</b>
3.1	Configuration.....	7
3.2	Principle of operation.....	7
3.3	Adjustment .....	8
3.4	Storage and transport.....	8
<b>4</b>	<b>Mounting</b> .....	<b>10</b>
4.1	General instructions .....	10
4.2	Mounting instructions .....	11
<b>5</b>	<b>Connecting to power supply</b> .....	<b>15</b>
5.1	Preparing the connection .....	15
5.2	Connection procedure.....	16
5.3	Wiring plan, single chamber housing.....	16
<b>6</b>	<b>Setup</b> .....	<b>19</b>
6.1	General information.....	19
6.2	Adjustment elements.....	19
6.3	Function table.....	20
<b>7</b>	<b>Maintenance and fault rectification</b> .....	<b>22</b>
7.1	Maintenance .....	22
7.2	Rectify faults.....	22
7.3	Exchanging the electronics module.....	23
7.4	How to proceed if a repair is necessary .....	24
<b>8</b>	<b>Dismount</b> .....	<b>26</b>
8.1	Dismounting steps.....	26
8.2	Disposal .....	26
<b>9</b>	<b>Supplement</b> .....	<b>27</b>
9.1	Technical data .....	27
9.2	Dimensions .....	30
9.3	Industrial property rights.....	32
9.4	Trademark .....	32

**Safety instructions for Ex areas:**

Take note of the Ex specific safety instructions for Ex applications. These instructions are attached as documents to each instrument with Ex approval and are part of the operating instructions.

Editing status: 2022-09-15

# 1 About this document

## 1.1 Function

This instruction provides all the information you need for mounting, connection and setup as well as important instructions for maintenance, fault rectification, the exchange of parts and the safety of the user. Please read this information before putting the instrument into operation and keep this manual accessible in the immediate vicinity of the device.

## 1.2 Target group

This operating instructions manual is directed to trained personnel. The contents of this manual must be made available to the qualified personnel and implemented.

## 1.3 Symbols used



### Document ID

This symbol on the front page of this instruction refers to the Document ID. By entering the Document ID on [www.vega.com](http://www.vega.com) you will reach the document download.



**Information, note, tip:** This symbol indicates helpful additional information and tips for successful work.



**Note:** This symbol indicates notes to prevent failures, malfunctions, damage to devices or plants.



**Caution:** Non-observance of the information marked with this symbol may result in personal injury.



**Warning:** Non-observance of the information marked with this symbol may result in serious or fatal personal injury.



**Danger:** Non-observance of the information marked with this symbol results in serious or fatal personal injury.



### Ex applications

This symbol indicates special instructions for Ex applications.



### List

The dot set in front indicates a list with no implied sequence.



### Sequence of actions

Numbers set in front indicate successive steps in a procedure.



### Disposal

This symbol indicates special instructions for disposal.

## 2 For your safety

### 2.1 Authorised personnel

All operations described in this documentation must be carried out only by trained, qualified personnel authorised by the plant operator.

During work on and with the device, the required personal protective equipment must always be worn.

### 2.2 Appropriate use

The VEGAWAVE 61 is a sensor for point level detection.

You can find detailed information about the area of application in chapter " *Product description*".

Operational reliability is ensured only if the instrument is properly used according to the specifications in the operating instructions manual as well as possible supplementary instructions.

For safety and warranty reasons, any invasive work on the device beyond that described in the operating instructions manual may be carried out only by personnel authorised by the manufacturer. Arbitrary conversions or modifications are explicitly forbidden.

### 2.3 Warning about incorrect use

Inappropriate or incorrect use of this product can give rise to application-specific hazards, e.g. vessel overflow through incorrect mounting or adjustment. Damage to property and persons or environmental contamination can result. Also, the protective characteristics of the instrument can be impaired.

### 2.4 General safety instructions

This is a state-of-the-art instrument complying with all prevailing regulations and directives. The instrument must only be operated in a technically flawless and reliable condition. The operator is responsible for the trouble-free operation of the instrument. When measuring aggressive or corrosive media that can cause a dangerous situation if the instrument malfunctions, the operator has to implement suitable measures to make sure the instrument is functioning properly.

The safety instructions in this operating instructions manual, the national installation standards as well as the valid safety regulations and accident prevention rules must be observed by the user.

For safety and warranty reasons, any invasive work on the device beyond that described in the operating instructions manual may be carried out only by personnel authorised by the manufacturer. Arbitrary conversions or modifications are explicitly forbidden. For safety reasons, only the accessory specified by the manufacturer must be used.

To avoid any danger, the safety approval markings and safety tips on the device must also be observed.

## 2.5 Safety label on the instrument

The safety approval markings and safety tips on the device must be observed.

## 2.6 Conformity

The device complies with the legal requirements of the applicable country-specific directives or technical regulations. We confirm conformity with the corresponding labelling.

The corresponding conformity declarations can be found on our homepage.

## 2.7 SIL conformity

VEGAWAVE 61 meets the requirements to the functional safety according to IEC 61508. Further information is available in the Safety Manual "VEGAWAVE series 60".

## 2.8 Installation and operation in the USA and Canada

This information is only valid for USA and Canada. Hence the following text is only available in the English language.

Installations in the US shall comply with the relevant requirements of the National Electrical Code (ANSI/NFPA 70).

Installations in Canada shall comply with the relevant requirements of the Canadian Electrical Code.

## 2.9 Safety instructions for Ex areas

For applications in explosion-proof areas (Ex), only devices with corresponding Ex approval may be used. Observe the Ex-specific safety instructions. These are an integral part of the operating instructions and are enclosed with every device with Ex approval.

## 2.10 Environmental instructions

Protection of the environment is one of our most important duties. That is why we have introduced an environment management system with the goal of continuously improving company environmental protection. The environment management system is certified according to DIN EN ISO 14001.

Please help us fulfil this obligation by observing the environmental instructions in this manual:

- Chapter "Packaging, transport and storage"
- Chapter "Disposal"

### 3 Product description

#### 3.1 Configuration

**Scope of delivery**

The scope of delivery encompasses:

- VEGAWAVE 61 point level switch
- Documentation
  - This operating instructions manual
  - Safety Manual " *Functional safety (SIL)*" (optional)
  - Supplementary instructions manual " *Plug connector for level sensors*" (optional)
  - Ex-specific " *Safety instructions*" (with Ex versions)
  - If necessary, further certificates

**Constituent parts**

The VEGAWAVE 61 consists of the components:

- Housing lid
- Housing with electronics
- Process fitting with tuning fork

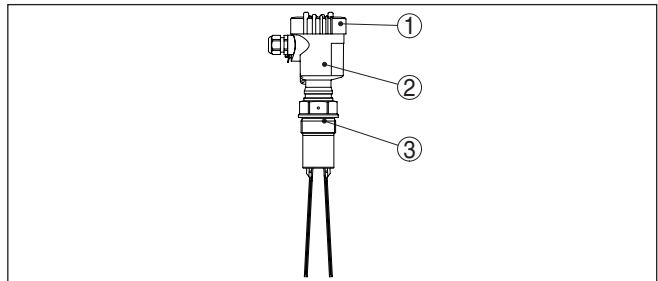


Fig. 1: VEGAWAVE 61 with plastic housing

- 1 Housing lid
- 2 Housing with electronics
- 3 Process fitting

**Type label**

The type label contains the most important data for identification and use of the instrument:

- Article number
- Serial number
- Technical data
- Article numbers, documentation
- SIL identification (with SIL rating ex works)

With the serial number, you can access the delivery data of the instrument via " [www.vega.com](http://www.vega.com)", " *Search*". You can find the serial number on the inside of the instrument as well as on the type label on the outside.

#### 3.2 Principle of operation

VEGAWAVE 61 is a point level sensor with tuning fork for point level detection.

**Application area**

It is designed for industrial use in all areas of process technology and is preferably used for bulk solids.

Typical applications are overflow and dry run protection. Thanks to its simple and robust measuring system, VEGAWAVE 61 is virtually unaffected by the chemical and physical properties of the bulk solid.

It also works when subjected to strong external vibrations or changing products.

#### **Solid detection in water**

If VEGAWAVE 61 was ordered for solids detection in water, the tuning fork is set to the density of water. In air or when immersed in water (density: 1 g/cm<sup>3</sup>/0.036 lbs/in), VEGAWAVE 61 signals "uncovered". Only when the vibrating element is also covered with solids (e.g. sand, sludge, gravel etc.) will the sensor signal "covered".

#### **Function monitoring**

The electronics module of VEGAWAVE 61 continuously monitors the following criteria:

- Correct vibrating frequency
- Line break to the piezo drive

If one of the stated malfunctions is detected or in case of voltage supply, the electronics takes on a defined switching status, i.e. the contactless electronic switch opens (safe state).

### **Functional principle**

The tuning fork is piezoelectrically energised and vibrates at its mechanical resonance frequency of approx. 150 Hz. When the tuning fork is submerged in the product, the vibration amplitude changes. This change is detected by the integrated electronics module and converted into a switching command.

### **Voltage supply**

VEGAWAVE 61 is a compact instrument, i.e. it can be operated without external evaluation system. The integrated electronics evaluates the level signal and outputs a switching signal. With this switching signal, a connected device can be operated directly (e.g. a warning system, a pump etc.).

The data for power supply are specified in chapter " *Technical data*".

## **3.3 Adjustment**

On the electronics module you will find the following display and adjustment elements:

- Signal lamp for indication of the switching condition (green/red)
- Potentiometer for adaptation to the product density
- Mode switch for selecting the switching condition (min./max.)

## **3.4 Storage and transport**

Your instrument was protected by packaging during transport. Its capacity to handle normal loads during transport is assured by a test based on ISO 4180.

### **Packaging**



The packaging of standard instruments consists of environment-friendly, recyclable carton material. The sensing element is additionally protected with a cardboard cover. For special versions, PE foam or PE foil is also used. Please dispose of the packaging material through specialised recycling companies.

**Transport**

Transport must be carried out in due consideration of the notes on the transport packaging. Nonobservance of these instructions can cause damage to the device.

**Transport inspection**

The delivery must be checked for completeness and possible transit damage immediately at receipt. Ascertained transit damage or concealed defects must be appropriately dealt with.

**Storage**

Up to the time of installation, the packages must be left closed and stored according to the orientation and storage markings on the outside.

Unless otherwise indicated, the packages must be stored only under the following conditions:

- Not in the open
- Dry and dust free
- Not exposed to corrosive media
- Protected against solar radiation
- Avoiding mechanical shock and vibration

**Storage and transport temperature**

- Storage and transport temperature see chapter " *Supplement - Technical data - Ambient conditions* "
- Relative moisture 20 ... 85 %

**Lifting and carrying**

With instrument weights of more than 18 kg (39.68 lbs) suitable and approved equipment must be used for lifting and carrying.

## 4 Mounting

### 4.1 General instructions

#### Process conditions



#### Note:

For safety reasons, the instrument must only be operated within the permissible process conditions. You can find detailed information on the process conditions in chapter " *Technical data*" of the operating instructions or on the type label.

Hence make sure before mounting that all parts of the instrument exposed to the process are suitable for the existing process conditions.

These are mainly:

- Active measuring component
- Process fitting
- Process seal

Process conditions in particular are:

- Process pressure
- Process temperature
- Chemical properties of the medium
- Abrasion and mechanical influences

#### Suitability for the ambient conditions

The instrument is suitable for standard and extended ambient conditions acc. to DIN/EN/IEC/ANSI/ISA/UL/CSA 61010-1. It can be used indoors as well as outdoors.

#### Switching point

In general, VEGAWAVE 61 can be installed in any position. The instrument only has to be mounted in such a way that the vibrating element is at the height of the desired switching point.

#### Moisture

Use the recommended cables (see chapter " *Connecting to power supply*") and tighten the cable gland.

You can give your instrument additional protection against moisture penetration by leading the connection cable downward in front of the cable gland. Rain and condensation water can thus drain off. This applies mainly to outdoor mounting as well as installation in areas where high humidity is expected (e.g. through cleaning processes) or on cooled or heated vessels.

To maintain the housing protection, make sure that the housing lid is closed during operation and locked, if necessary.



Fig. 2: Measures against moisture ingress

**Transport**

Do not hold VEGAWAVE 61 on the vibrating element. Especially with flange and tube versions, the sensor can be damaged by the weight of the instrument.

Remove the protective cover just before mounting.

**Pressure/Vacuum**

The process fitting must be sealed if there is gauge or low pressure in the vessel. Before use, check if the sealing material is resistant against the measured product and the process temperature.

The max. permissible pressure is specified in chapter " *Technical data*" or on the type label of the sensor.

**Handling**

The vibrating level switch is a measuring instrument and must be treated accordingly. Bending the vibrating element will destroy the instrument.



**Warning:**

The housing must not be used to screw the instrument in! Applying tightening force can damage internal parts of the housing.

Use the hexagon above the thread for screwing in.

**Cable entries - NPT thread  
Cable glands**

**Metric threads**

In the case of instrument housings with metric thread, the cable glands are screwed in at the factory. They are sealed with plastic plugs as transport protection.

You have to remove these plugs before electrical connection.

**NPT thread**

In the case of instrument housings with self-sealing NPT threads, it is not possible to have the cable entries screwed in at the factory. The free openings for the cable glands are therefore covered with red dust protection caps as transport protection.

Prior to setup you have to replace these protective caps with approved cable glands or close the openings with suitable blind plugs.

**4.2 Mounting instructions**

**Nozzle**

The vibrating element should protrude into the vessel to avoid buildup. For that reason, avoid using mounting bosses for flanges

and screwed fittings. This applies particularly to use with adhesive products.

### Filling opening

Mount the instrument in such a way that the tuning fork does not protrude directly into the filling stream.

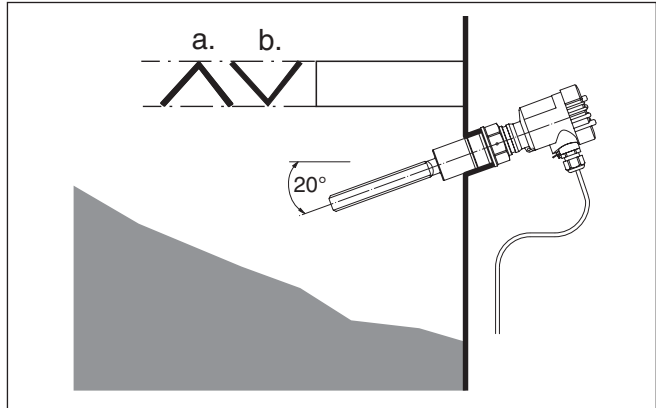


Fig. 3: Horizontal installation

a Protective sheet

b Concave protective sheet for abrasive solids

If such an installation location should be necessary, mount a suitable protective sheet above or in front of the vibrating element, see illustration "a").

In abrasive solids, mounting according to illustration "b" has proven. A spout forms in the concave protective sheet preventing wear of the protective sheet.

### Horizontal mounting

To achieve a very precise switching point, you can install VEGAWAVE 61 horizontally. However, if the switching point can have a tolerance of a few centimeters, we recommend mounting VEGAWAVE 61 approx. 20° inclined to the vessel bottom to avoid buildup.

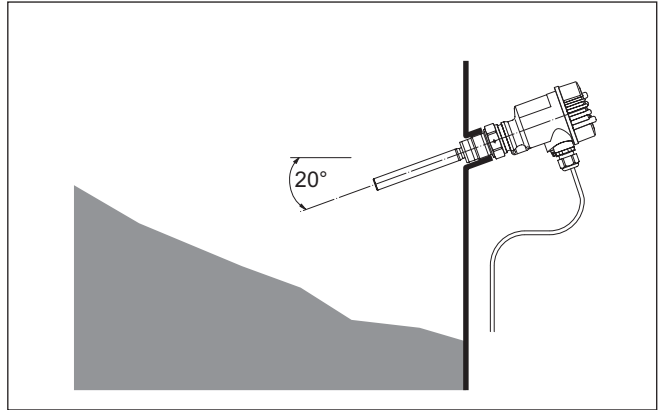


Fig. 4: Horizontal mounting

**Inflowing medium**

If VEGAWAVE 61 is mounted in the filling stream, unwanted false measurement signals can be generated. For this reason, mount VEGAWAVE 61 at a position in the vessel where no disturbances, e.g. from filling openings, agitators, etc., can occur.

**Product flow**

To make sure the tuning fork of VEGAWAVE 61 generates as little resistance as possible to product flow, mount the sensor so that the surfaces are parallel to the product movement.

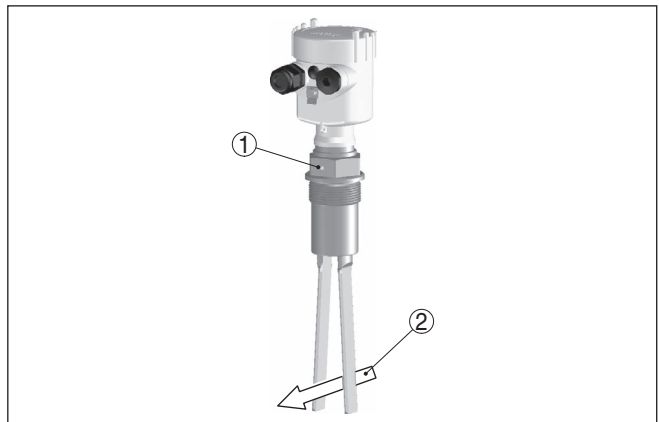


Fig. 5: Flow orientation of the tuning fork

- 1 Marking with screwed version
- 2 Direction of flow

**Adhesive products**

In case of horizontal mounting in adhesive products, the surfaces of the tuning fork should be vertical in order to reduce buildup on the tuning fork. On the screwed version you will find a marking on the hexagon. With this, you can check the position of the tuning fork when

screwing it in. When the hexagon touches the seal, the thread can still be turned by approx. half a turn. This is sufficient to reach the recommended installation position.

In the case of flange versions, the fork is aligned with the flange holes.

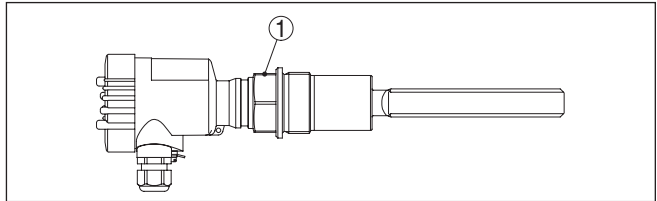


Fig. 6: Horizontal installation - marking

1 Marking on top with screwed version

### Baffle protection against falling rocks

In applications such as grit chambers or settling basins for coarse sediments, the vibrating element must be protected against damage with a suitable baffle.

This baffle must be manufactured by you.

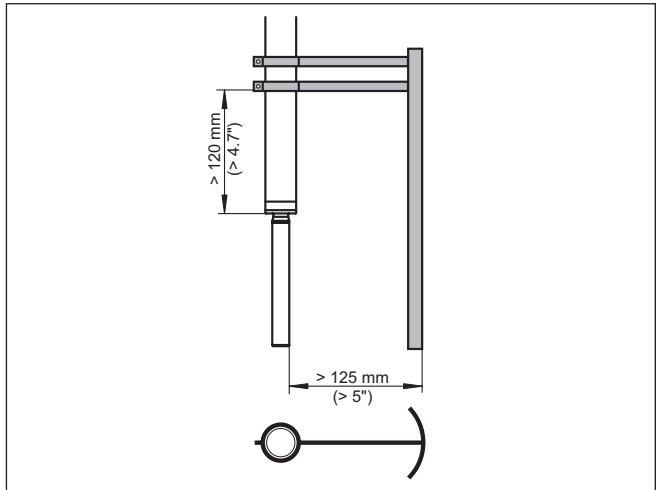


Fig. 7: Baffle for protection against mechanical damage

## 5 Connecting to power supply

### 5.1 Preparing the connection

**Note safety instructions** Always keep in mind the following safety instructions:



**Warning:**

Connect only in the complete absence of line voltage.

- The electrical connection must only be carried out by trained, qualified personnel authorised by the plant operator.
- Always switch off power supply, before connecting or disconnecting the instrument.



**Note:**

Install a disconnecting device for the instrument which is easy to access. The disconnecting device must be marked for the instrument (IEC/EN 61010).

**Take note of safety instructions for Ex applications**



In hazardous areas you must take note of the respective regulations, conformity and type approval certificates of the sensors and power supply units.

**Voltage supply**

Connect the voltage supply according to the connection diagrams. The electronics module with contactless electronic switch is designed in protection class I. To maintain this protection class, it is absolutely necessary that the earth conductor is connected to the inner earth conductor terminal. Keep the general installation regulations in mind. Take note of the corresponding installation regulations for hazardous areas with Ex applications.

The data for power supply are specified in chapter " *Technical data*".

**Connection cable**

The instrument is connected with standard three-wire cable without shielding. If electromagnetic interference is expected which is above the test values of EN 61326 for industrial areas, shielded cable should be used.

Make sure that the cable used has the required temperature resistance and fire safety for max. occurring ambient temperature

Use cable with round cross-section. A cable outer diameter of 5 ... 9 mm (0.2 ... 0.35 in) ensures the seal effect of the cable gland. If you are using cable with a different diameter or cross-section, exchange the seal or use a suitable cable gland.



In hazardous areas, use only approved cable connections for VEGA-WAVE 61.

**Connection cable for Ex applications**



Take note of the corresponding installation regulations for Ex applications.

Cover all housing openings conforming to standard according to EN 60079-1.

## 5.2 Connection procedure



With Ex instruments, the housing cover may only be opened if there is no explosive atmosphere present.

Proceed as follows:

1. Unscrew the housing lid
2. Loosen compression nut of the cable gland and remove blind plug
3. Remove approx. 10 cm (4 in) of the cable mantle, strip approx. 1 cm (0.4 in) of insulation from the ends of the individual wires
4. Insert the cable into the sensor through the cable entry
5. Lift the opening levers of the terminals with a screwdriver (see following illustration)

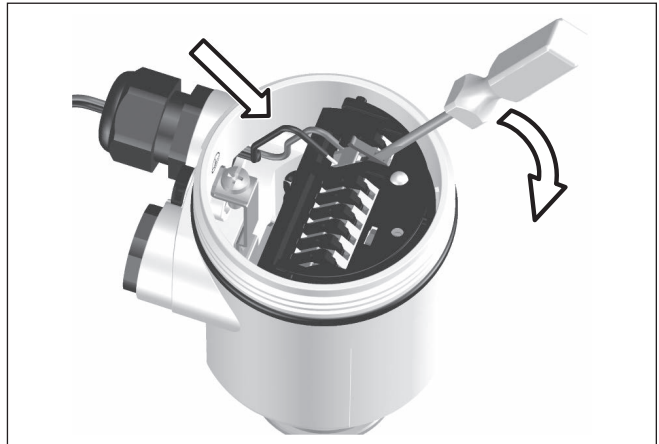


Fig. 8: Connection steps 5 and 6

6. Insert the wire ends into the open terminals according to the wiring plan
7. Press down the opening levers of the terminals, you will hear the terminal spring closing
8. Check the hold of the wires in the terminals by lightly pulling on them
9. Tighten the compression nut of the cable entry gland. The seal ring must completely encircle the cable
10. If necessary, carry out a fresh adjustment
11. Screw the housing lid back on

The electrical connection is finished.

## 5.3 Wiring plan, single chamber housing



The following illustrations apply to the non-Ex as well as to the Ex-d version.



Housing overview

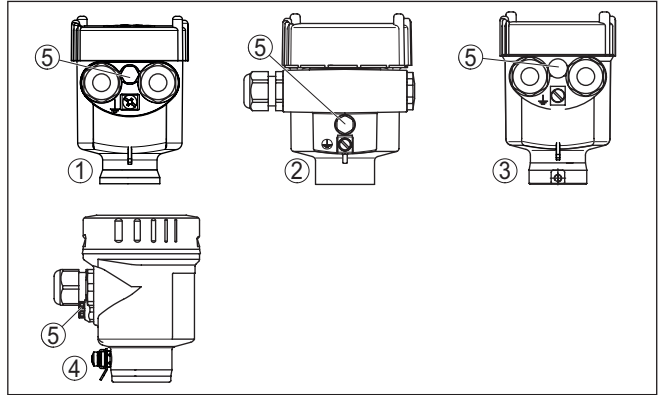


Fig. 9: Material versions, single chamber housing

- 1 Plastic (not with Ex d)
- 2 Aluminium
- 3 Stainless steel (not with Ex d)
- 4 Stainless steel, electropolished (not with Ex d)
- 5 Filter element for pressure compensation (not with Ex d)

Wiring plan

We recommend connecting VEGAWAVE 61 in such a way that the switching circuit is open when there is a level signal, line break or failure (safe state).

The contactless electronic switch is always shown in non-operative condition.



**Warning:**

The instrument must not be operated without an intermediately connected load, because the electronics would be destroyed if connected directly to the mains. It is not suitable for connection to low voltage PLC inputs.

Examples for typical applications:

- Load resistance at 24 V DC: 88 ... 1800 Ω
- Rated power, relay 253 V AC: > 2.5 VA
- Rated power, relay 24 V AC: > 0.5 VA

For direct control of relays, contactors, magnet valves, warning lights, horns etc.

Domestic current is temporarily lowered below 1 mA after switching off the load so that contactors, whose holding current is lower than the constant domestic current of the electronics, are reliably switched off.

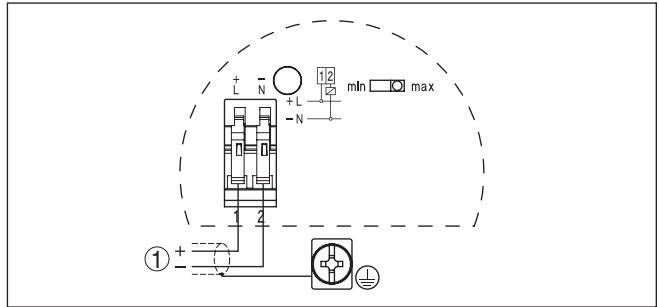


Fig. 10: Wiring plan

1 Shielding

## 6 Setup

### 6.1 General information

The figures in brackets refer to the following illustrations.

#### Function/Configuration

On the electronics module you will find the following display and adjustment elements:

- Potentiometer for adjustment of the density range (1)
- DIL switch for mode adjustment - min./max. (2)
- Signal lamp (5)



#### Note:

As a rule, always set the mode with mode switch (2) before starting the setup of VEGAWAVE 61. The switching output will change if you set the mode switch (2) afterwards. This could possibly trigger other connected instruments or devices.

### 6.2 Adjustment elements

#### Electronics and connection compartment

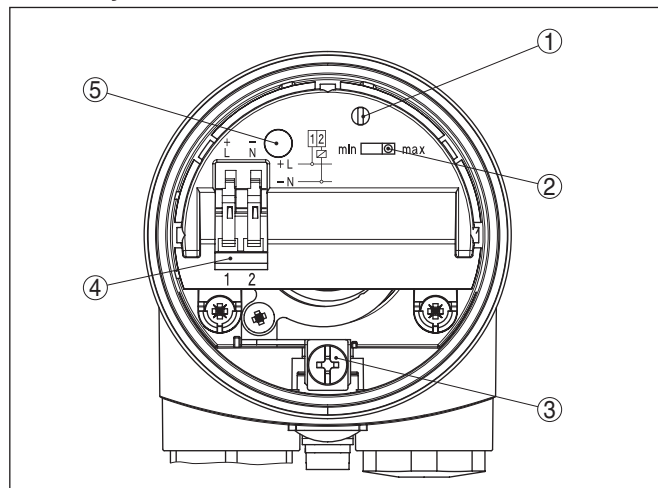


Fig. 11: Electronics and connection compartment - contactless electronic switch

- 1 Potentiometer for adjustment of the density range
- 2 DIL switch for mode adjustment
- 3 Ground terminal
- 4 Connection terminals
- 5 Control lamp

#### Adjustment of the density range (1)

With the potentiometer you can adapt the switching point to the solid. It is already preset and must only be modified in special cases.

By default, the potentiometer of VEGAWAVE 61 is set to the right stop (> 0.02 g/cm<sup>3</sup> or 0.0008 lbs/in<sup>3</sup>). In case of very light-weight solids, turn the potentiometer to the left stop (> 0.008 g/cm<sup>3</sup> or 0.0003 lbs/

in<sup>3</sup>). VEGAWAVE 61 will thus be more sensitive and can detect light-weight solids more reliably.

For instruments detecting solids in water, these settings are not applicable. The density range is preset and must not be changed.

### Mode adjustment (2)

With the mode adjustment (min./max.) you can change the switching condition of the output. You can set the required mode according to the "Function table" (max. - max. detection or overflow protection, min. - min. detection or dry run protection).

We recommend connecting according to the idle current principle (contactless electronic switch is open when the switching point is reached) because the contactless electronic switch takes on the same (safe) state if a failure is detected.





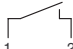

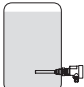


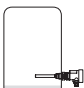
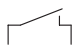

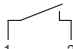

### Signal lamp (5)

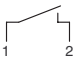

Control lamp for indication of the switching status

- green = switch closed
- red = switch open
- red (flashing) = failure

## 6.3 Function table

The following table provides an overview of the switching conditions depending on the set mode and the level.

	Level	Switching status	Control lamp
Mode max. Overflow protection		 Switch closed	 Green
Mode max. Overflow protection		 Switch open	 Red
Mode min. Dry run protection		 Switch closed	 Green
Mode min. Dry run protection		 Switch open	 Red
Failure of the supply voltage (min./max. mode)	any	 Switch open	

	Level	Switching status	Control lamp
Fault	any	 <p>Switch open</p>	 <p>flashes red</p>

## 7 Maintenance and fault rectification

### 7.1 Maintenance

**Maintenance**

If the device is used properly, no special maintenance is required in normal operation.

**Cleaning**

The cleaning helps that the type label and markings on the instrument are visible.

Take note of the following:

- Use only cleaning agents which do not corrode the housings, type label and seals
- Use only cleaning methods corresponding to the housing protection rating

### 7.2 Rectify faults

**Reaction when malfunction occurs**

The operator of the system is responsible for taking suitable measures to rectify faults.

**Causes of malfunction**

The device offers maximum reliability. Nevertheless, faults can occur during operation. These may be caused by the following, e.g.:

- Sensor
- Process
- Voltage supply
- Signal processing

**Fault rectification**

The first measure to take is to check the output signal. In many cases, the causes can be determined this way and the faults quickly rectified.

**24 hour service hotline**

Should these measures not be successful, please call in urgent cases the VEGA service hotline under the phone no. **+49 1805 858550**.

The hotline is manned 7 days a week round-the-clock. Since we offer this service worldwide, the support is only available in the English language. The service is free, only standard call charges are incurred.

**Checking the switching signal**

<b>Error</b>	<b>Cause</b>	<b>Rectification</b>
VEGAWAVE 61 signals "covered" without being submerged (overflow protection)  VEGAWAVE 61 signals "uncovered" when being submerged (dry run protection)	Operating voltage too low	Check operating voltage
	Electronics defective	Press the mode switch. If the instrument then changes the mode, the vibrating element may be covered with buildup or mechanically damaged. Should the switching function in the correct mode still be faulty, return the instrument for repair.
		Press the mode switch. If the instrument then does not change the mode, the electronics module may be defective. Exchange the electronics module.
	Unfavourable installation location	Mount the instrument at a location in the vessel where no dead zones or mounds can form.
	Buildup on the vibrating element	Check the vibrating element and the sensor for buildup and remove the buildup if there is any.
	Wrong mode selected	Set the correct mode with the mode switch (overflow protection, dry run protection). Wiring should be carried out according to the closed-circuit principle.
Signal lamp flashes red	Error on the vibrating element	Check if the vibrating element is damaged or extremely corroded.
	Interference on the electronics module	Exchanging the electronics module
	Instrument defective	Exchange the instrument or send it in for repair

**Reaction after fault rectification**

Depending on the reason for the fault and the measures taken, the steps described in chapter " *Setup*" must be carried out again or must be checked for plausibility and completeness.

**7.3 Exchanging the electronics module**

In general, all electronics modules of series WE60 can be interchanged. If you want to use an electronics module with a different signal output, you can download the corresponding operating instructions manual from our homepage under Downloads.



With Ex-d instruments, the housing cover may only be opened if there is no explosive atmosphere present.

Proceed as follows:

1. Switch off voltage supply
2. Unscrew the housing lid
3. Lift the opening levers of the terminals with a screwdriver
4. Pull the connection cables out of the terminals
5. Loosen the two screws with a screw driver (Torx size T10 or slot 4)

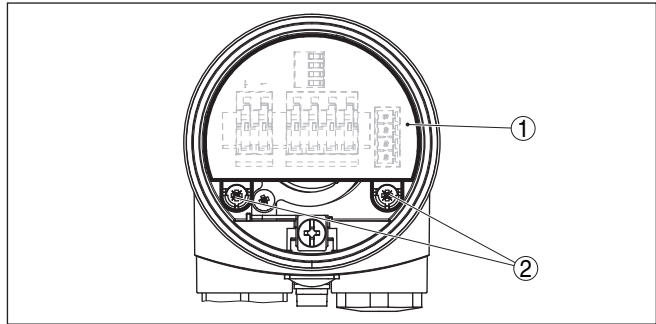


Fig. 12: Loosen the holding screws

- 1 Electronics module
- 2 Screws (2 pcs.)

6. Pull out the old electronics module
7. Compare the new electronics module with the old one. The type label of the electronics module must correspond to that of the old electronics module. This applies particularly to instruments used in hazardous areas.
8. Compare the settings of the two electronics modules. Set the adjustment elements of the new electronics module to the same setting of the old one.



#### Information:

Make sure that the housing is not rotated during the electronics exchange. Otherwise the plug may be in a different position later.

9. Insert the electronics module carefully. Make sure that the plug is in the correct position.
  10. Screw in and tighten the two holding screws with a screwdriver (Torx size T10 or Phillips 4)
  11. Insert the wire ends into the open terminals according to the wiring plan
  12. Press down the opening levers of the terminals, you will hear the terminal spring closing
  13. Check the hold of the wires in the terminals by lightly pulling on them
  14. Check cable gland on tightness. The seal ring must completely encircle the cable.
  15. Screw the housing lid back on
- The electronics exchange is now finished.

## 7.4 How to proceed if a repair is necessary

You can find an instrument return form as well as detailed information about the procedure in the download area of our homepage. By doing this you help us carry out the repair quickly and without having to call back for needed information.



In case of repair, proceed as follows:

- Print and fill out one form per instrument
- Clean the instrument and pack it damage-proof
- Attach the completed form and, if need be, also a safety data sheet outside on the packaging
- Ask the agency serving you to get the address for the return shipment. You can find the agency on our homepage.

## 8 Dismount

### 8.1 Dismounting steps

**Warning:**

Before dismantling, be aware of dangerous process conditions such as e.g. pressure in the vessel, high temperatures, corrosive or toxic products etc.

Take note of chapters "*Mounting*" and "*Connecting to voltage supply*" and carry out the listed steps in reverse order.



With Ex instruments, the housing cover may only be opened if there is no explosive atmosphere present.

### 8.2 Disposal



Pass the instrument on to a specialised recycling company and do not use the municipal collecting points.

Remove any batteries in advance, if they can be removed from the device, and dispose of them separately.

If personal data is stored on the old device to be disposed of, delete it before disposal.

If you have no way to dispose of the old instrument properly, please contact us concerning return and disposal.

## 9 Supplement

### 9.1 Technical data

#### Note for approved instruments

The technical data in the respective safety instructions which are included in delivery are valid for approved instruments (e.g. with Ex approval). These data can differ from the data listed herein, for example regarding the process conditions or the voltage supply.

All approval documents can be downloaded from our homepage.

#### General data

Material 316L corresponds to 1.4404 or 1.4435

Materials, wetted parts

– Process fitting - thread	316L
– Process fitting - flange	316L
– Process seal	Klingersil C-4400
– Tuning fork	316L
– Extension tube $\varnothing$ 43 mm (1.7 in)	316L

Materials, non-wetted parts

– Plastic housing	Plastic PBT (Polyester)
– Aluminium die-cast housing	Aluminium die-casting AlSi10Mg, powder-coated (Basis: Polyester)
– Stainless steel housing (precision casting)	316L
– Stainless steel housing (electropolished)	316L
– Seal between housing and housing lid	Silicone
– Light guide in housing cover (plastic)	PMMA (Makrolon)
– Ground terminal	316L
– Cable gland	PA, stainless steel, brass
– Sealing, cable gland	NBR
– Blind plug, cable gland	PA

Process fittings

– Pipe thread, cylindrical (DIN 3852-A)	G1½
– Pipe thread, conical (ASME B1.20.1)	1½ NPT

Instrument weight (depending on process fitting) 0.8 ... 4 kg (0.18 ... 8.82 lbs)

Max. lateral load 600 N (135 lbf)



Fig. 13: Max. lateral load alongside fork side (narrow fork side)

#### Torque for NPT cable glands and Conduit tubes

- Plastic housing                                  max. 10 Nm (7.376 lbf ft)
- Aluminium/Stainless steel housing      max. 50 Nm (36.88 lbf ft)

---

#### Output variable

Output	Contactless electronic switch
Modes (switchable)	min./max.
Switching delay	
– When immersed	0.5 s
– When laid bare	1 s

---

#### Ambient conditions

Ambient temperature on the housing	-40 ... +80 °C (-40 ... +176 °F)
Storage and transport temperature	-40 ... +80 °C (-40 ... +176 °F)

---

#### Process conditions

Measured variable	Limit level of solids
Process pressure	-1 ... 25 bar/-100 ... 2500 kPa (-14.5 ... 363 psig)
VEGAWAVE 61 of 316L	-50 ... +150 °C (-58 ... +302 °F)
Process temperature (thread or flange temperature) with temperature adapter (option)	-50 ... +250 °C (-58 ... +482 °F)

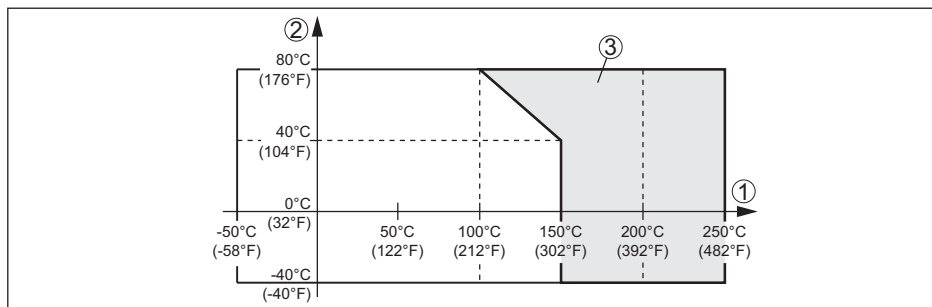


Fig. 14: Ambient temperature - Process temperature

- 1 Process temperature
- 2 Ambient temperature
- 3 Temperature range with temperature adapter

**Product density**

- Standard sensitivity > 0.02 g/cm<sup>3</sup> (0.0007 lbs/in<sup>3</sup>)
- High sensitivity > 0.008 g/cm<sup>3</sup> (0.0003 lbs/in<sup>3</sup>)

Granular size max. 10 mm (0.4 in)

---

**Electromechanical data**

---

Options of the cable entry

- Cable entry M20 x 1.5; ½ NPT
- Cable gland M20 x 1.5; ½ NPT
- Blind plug M20 x 1.5; ½ NPT
- Closing cap ½ NPT

Wire cross-section (spring-loaded terminals)

- Massive wire, stranded wire 0.2 ... 2.5 mm<sup>2</sup> (AWG 24 ... 14)
- Stranded wire with end sleeve 0.2 ... 1.5 mm<sup>2</sup> (AWG 24 ... 16)

---

**Adjustment elements**

---

Mode switch

- Min. Min. detection or dry run protection
- Max. Max. detection or overflow protection

---

**Voltage supply**

---

Operating voltage 20 ... 253 V AC, 50/60 Hz, 20 ... 253 V DC

Domestic current requirement < 5 mA (via load circuit)

Load current

- Min. 10 mA
- Max. 400 mA (at I > 300 mA the ambient temperature can be max. 60 °C/140 °F) max. 4 A up to 40 ms

---

**Electrical protective measures**

---

Protection rating IP66/IP67 (NEMA Type 4X)

Altitude above sea level	up to 5000 m (16404 ft)
Overvoltage category	
– up to 2000 m (6562 ft)	III
– up to 5000 m (16404 ft)	II
Protection class	I

## Approvals

Instruments with approvals can have different technical specifications depending on the version.

For that reason the associated approval documents of these instruments have to be carefully noted. They are part of the delivery or can be downloaded by entering the serial number of your instrument into the search field under [www.vega.com](http://www.vega.com) as well as in the general download area.

## 9.2 Dimensions

### VEGAWAVE 61, housing

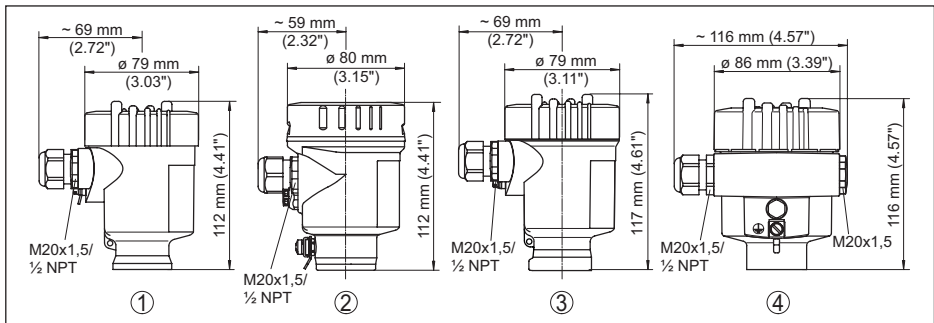


Fig. 15: Housing versions

- 1 Plastic single chamber
- 2 Stainless steel single chamber (electropolished)
- 3 Stainless steel single chamber (precision casting)
- 4 Aluminium - single chamber

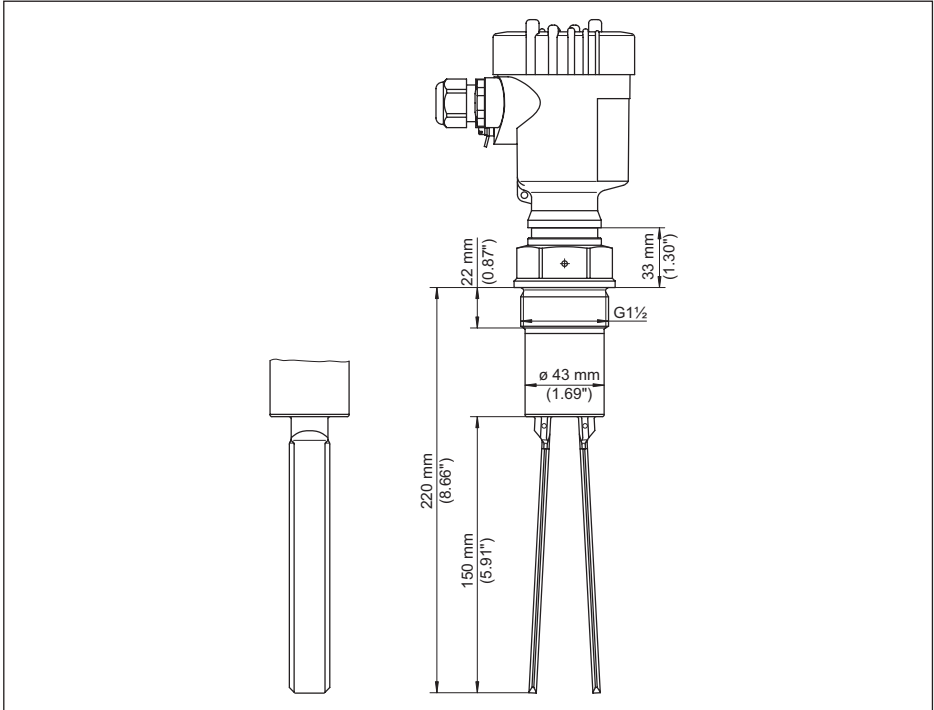


Fig. 16: VEGAWAVE 61, threaded version G1½ (DIN ISO 228/1)

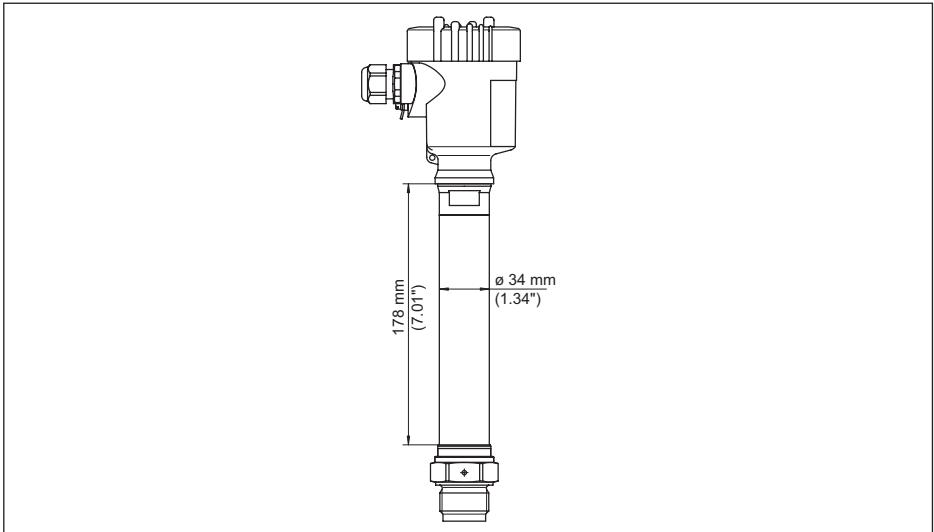


Fig. 17: Temperature adapter

### 9.3 Industrial property rights

VEGA product lines are global protected by industrial property rights. Further information see [www.vega.com](http://www.vega.com).

VEGA Produktfamilien sind weltweit geschützt durch gewerbliche Schutzrechte.

Nähere Informationen unter [www.vega.com](http://www.vega.com).

Les lignes de produits VEGA sont globalement protégées par des droits de propriété intellectuelle. Pour plus d'informations, on pourra se référer au site [www.vega.com](http://www.vega.com).

VEGA líneas de productos están protegidas por los derechos en el campo de la propiedad industrial. Para mayor información revise la pagina web [www.vega.com](http://www.vega.com).

Линии продукции фирмы ВЕГА защищаются по всему миру правами на интеллектуальную собственность. Дальнейшую информацию смотрите на сайте [www.vega.com](http://www.vega.com).

VEGA系列产品在全球享有知识产权保护。

进一步信息请参见网站 < [www.vega.com](http://www.vega.com)。

### 9.4 Trademark

All the brands as well as trade and company names used are property of their lawful proprietor/originator.









Printing date:

**VEGA**

All statements concerning scope of delivery, application, practical use and operating conditions of the sensors and processing systems correspond to the information available at the time of printing.

Subject to change without prior notice

© VEGA Grieshaber KG, Schiltach/Germany 2022



32246-EN-221012

VEGA Grieshaber KG  
Am Hohenstein 113  
77761 Schiltach  
Germany

Phone +49 7836 50-0  
E-mail: [info.de@vega.com](mailto:info.de@vega.com)  
[www.vega.com](http://www.vega.com)