

Supplementary instructions

Spare parts lists

VEGAPULS 6X



Document ID: 1010612



VEGA

Contents

1	Introduction	3
2	, plastic horn antenna.....	4
3	, thread with integrated antenna system	5
4	, flange with plastic plating	6
5	, hygienic fitting.....	7
6	, flange with lens antenna	8

1 Introduction

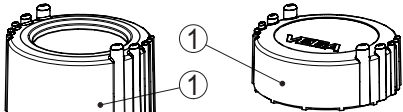
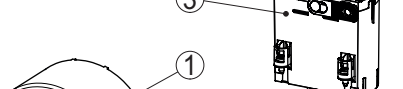

The spare parts lists provide an overview of the components of VEGAPULS 6X.

The article numbers are examples of possible versions. Further versions can be selected in the configurator on our homepage.

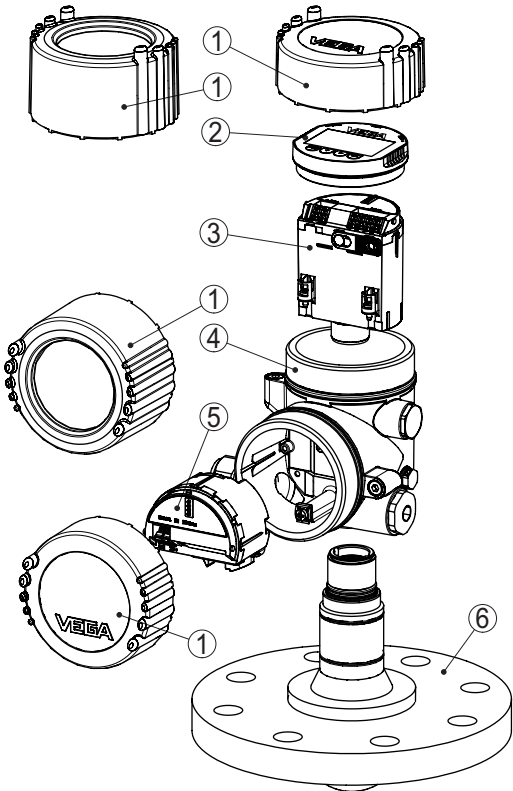
2 , plastic horn antenna

Spare parts overview	No.	Designation Article number
	1	Housing lid plics® (with/without inspection window) Article number: PLICSGEHD.KA
	2	Display and adjustment module Article number: PLICSCOM.XB
	3	Main electronics Article number: PS6X-E.2WEH1X
	4	Single chamber housing plics® (incl. housing lid) Article number: PLICSGEH.KXXXM Double chamber housing plics® (incl. housing lid) Article number: PLICSGEH2K.DHXXM
	5	Electronics 2nd chamber Article number: PS6X-E.2WZH2X
	6	Process component: Plastic horn antenna Article number: PS6X-PA.2WXXBXATXXXXX

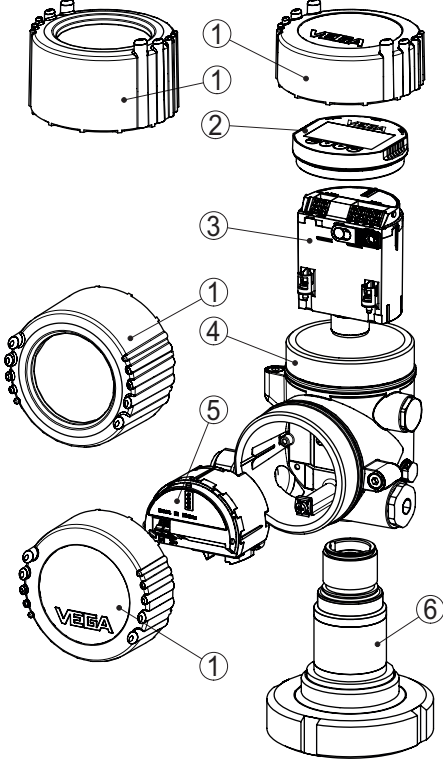
3 , thread with integrated antenna system

Spare parts overview	No.	Designation Article number
	1	Housing lid plics® (with/without inspection window) Article number: PLICSGEHD.KA
	2	Display and adjustment module Article number: PLICSCOM.XB
	3	Main electronics Article number: PS6X-E.2WEH1X
	4	Single chamber housing plics® (incl. housing lid) Article number: PLICSGEH.KXXXM Double chamber housing plics® (incl. housing lid) Article number: PLICSGEH2K.DHXXM
	5	Electronics 2nd chamber Article number: PS6X-E.2WZH2X
	6	Example of a process assembly: Thread with integrated antenna system Article number: PS6X-PA.2WXFTXAAXXXXX

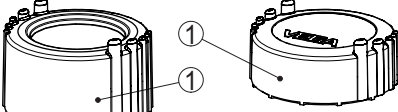

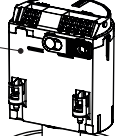
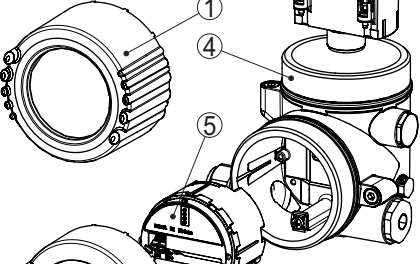
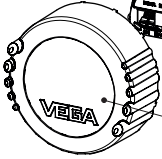
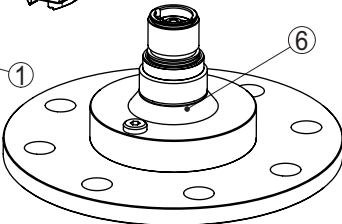
4 , flange with plastic plating

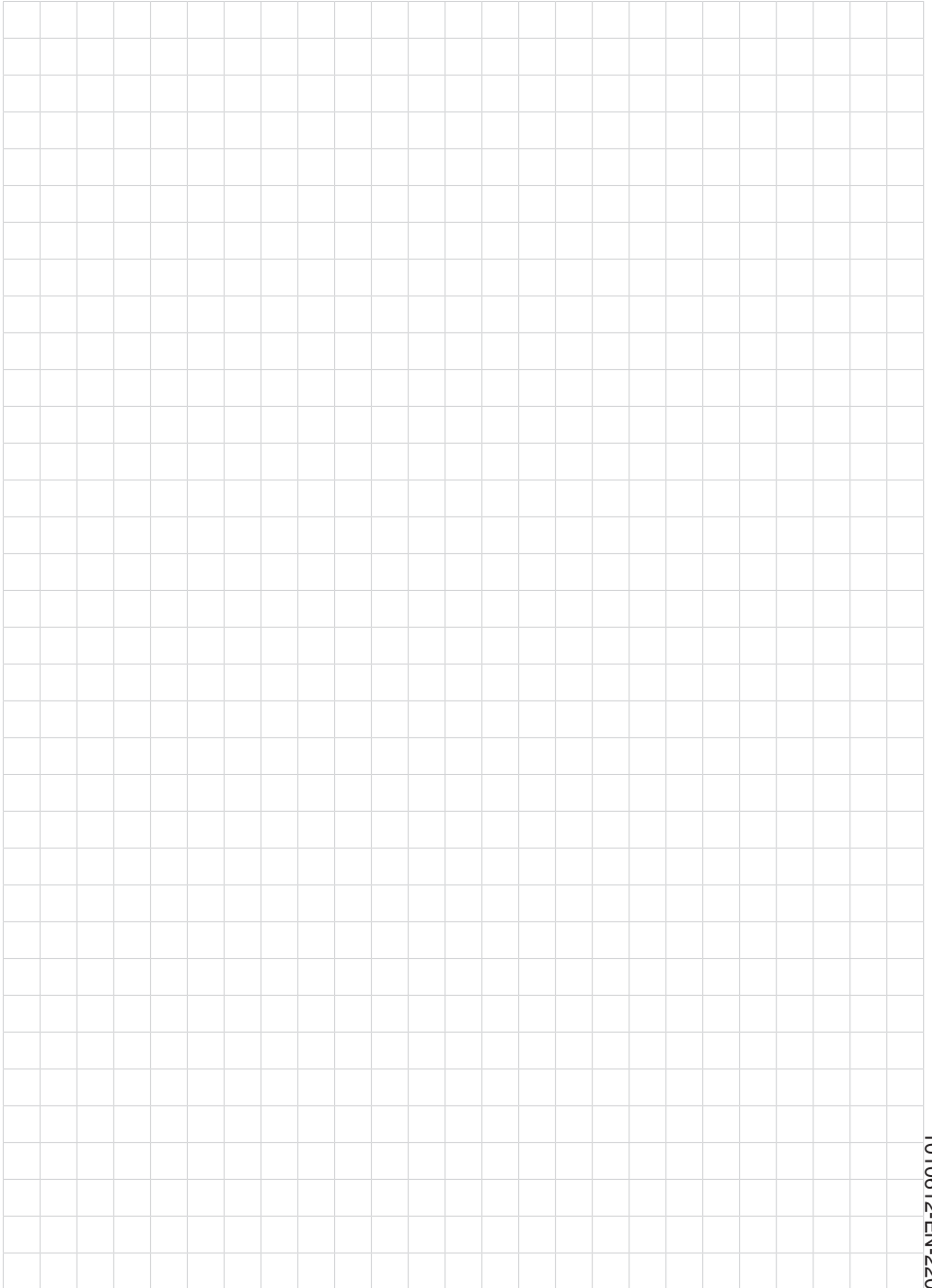
Spare parts overview	No.	Designation Article number
	1	Housing lid (with/without inspection window) Article number: PLICSGEHD.KA
	2	Display and adjustment module Article number: PLICSCOM.XB
	3	Main electronics Article number: PS6X-E.2WEH1X
	4	Single chamber housing plics® (incl. housing lid) Article number: PLICSGEH.KXXXM Double chamber housing plics® (incl. housing lid) Article number: PLICSGEH2K.DHXXM
	5	Electronics 2nd chamber Article number: PS6X-E.2WZH2X
	6	Example of a process assembly: Flange DN 80 PN 40 Article number: PS6X-PA.2WFFHFXAWXXXX

5 , hygienic fitting

Spare parts overview	No.	Designation Article number
	1	Housing lid (with/without inspection window) Article number: PLICSGEHD.KA
	2	Display and adjustment module Article number: PLICSCOM.XB
	3	Main electronics Article number: PS6X-E.2WEH1X
	4	Single chamber housing plics® (incl. housing lid) Article number: PLICSGEH.KXXXM Double chamber housing plics® (incl. housing lid) Article number: PLICSGEH2K.DHXXM
	5	Electronics 2nd chamber Article number: PS6X-E.2WZH2X
	6	Example of a process component: Collar socket DIN 11851, DN 50 PN 16 Article number: PS6X-PA.2WRAHXACXXXXX

6 , flange with lens antenna

Spare parts overview	No.	Designation Article number
	1	Housing lid (with/without inspection window) Article number: PLICSGEHD.KA
	2	Display and adjustment module Article number: PLICSCOM.XB
	3	Main electronics Article number: PS6X-E.2WEH1X
	4	Single chamber housing plics® (incl. housing lid) Article number: PLICSGEH.KXXXM Double chamber housing plics® (incl. housing lid) Article number: PLICSGEH2K.DHXXM
	5	Electronics 2nd chamber Article number: PS6X-E.2WZH2X
	6	Example of a process component: Flange DN 100 with lens antenna Article number: PS62PA.XXX



Printing date:

VEGA

All statements concerning scope of delivery, application, practical use and operating conditions of the sensors and processing systems correspond to the information available at the time of printing.

Subject to change without prior notice

© VEGA Grieshaber KG, Schiltach/Germany 2022



1010612-EN-220516

VEGA Grieshaber KG
Am Hohenstein 113
77761 Schiltach
Germany

Phone +49 7836 50-0
E-mail: info.de@vega.com
www.vega.com