

Safety instructions

CCOE approval

VEGAFLEX 81, 82, 83, 86

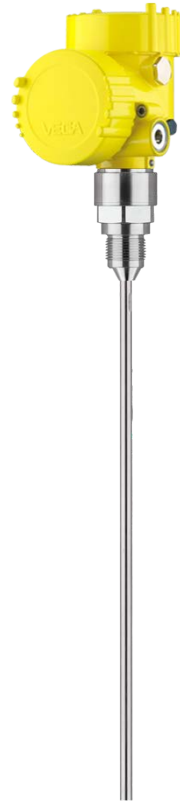
Flameproof enclosure "d", Intrinsic safety "i"

Two-wire 4 ... 20 mA/HART

Two-wire 4 ... 20 mA/HART with SIL qualification

Four-wire 4 ... 20 mA/HART

Modbus



Document ID: 63693



VEGA

Contents

1	Area of applicability.....	3
2	Important specification in the type code.....	3
3	General information.....	11
4	Application area.....	11
5	Specific conditions of use ("X" identification)	11
6	Important information for mounting and maintenance.....	12
7	Safe operating mode	15
8	Potential equalization/Grounding	15
9	Electrostatic charging (ESD)	15
10	Electrical data.....	16
11	Mechanical data	17
12	Thermal data	18

Supplementary documentation:

- Operating instructions VEGAFLEX 81, 82, 83, 86
- Quick setup guide VEGAFLEX 81, 82, 83, 86
- Letter P506277/1, P506503/1, P536402/1 By Government of India (Document ID: 63694)

Editing status: 2022-05-16

1 Area of applicability

These safety instructions apply to the VEGAFLEX 81, 82, 83, 86 of type series:

- VEGAFLEX FX8*(*).DD/P****A/H/B/I/UX****

With the electronics versions:

- H - 4 ... 20 mA/HART - two-wire
- A - 4 ... 20 mA/HART - two-wire with SIL qualification
- B - 4 ... 20 mA/HART - four-wire; 90 ... 253 V AC; 50/60 Hz
- I - 4 ... 20 mA/HART - four-wire; 9.6 ... 48 V DC; 20 ... 42 V AC
- U - Four-wire Modbus (converter in second chamber)

According to Letter P506277/1, P506503/1, P536402/1 By Government of India (certificate number on the type label) and for all instruments with safety instruction 63693.

Type of protection marking:

- Ex d ia IIC T6 ... T1 Ga/Gb

2 Important specification in the type code

VEGAFLEX FX81(a).bcdefghijklm

Position	Feature	Description
a		One or two-digit alphanumeric variable, for production control. Optional, not safety-relevant.
b	Scope	D India
c	Approval	D Ex d ia IIC T6 ... T1 Ga/Gb
		P Ex d ia IIC T6 ... T1 Ga/Gb + Ship approval

Position		Feature	Description
d	Version / Material	2	exchangeable cable (ø 2 mm) with centering weight / Duplex (1.4462)
		3	exchangeable coated cable (ø 4 mm) with uncoated centering weight / PFA and 316
		6	exchangeable rod (ø 8 mm) / Duplex (1.4462)
		7	exchangeable cable (ø 2 mm) with gravity weight / Alloy C276 (2.4819)
		A	exchangeable cable (ø 4 mm) with gravity weight / 316
		B	exchangeable cable (ø 2 mm) with gravity weight / 316
		C	exchangeable cable (ø 4 mm) with centering weight / 316
		D	exchangeable cable (ø 2 mm) with centering weight / 316
		E	exchangeable rod (ø 8 mm) / 316L
		F	exchangeable rod (ø 12 mm) / 316L
		G	exchangeable rod (ø 8 mm) / 304L
		H	Coax (ø 21.3 mm) with single hole / 304L
		I	exchangeable cable (ø 4 mm) with gravity weight / Alloy C22 (2.4602)
		J	exchangeable cable (ø 4 mm) with centering weight / Alloy C22 (2.4602)
		K	Coax (ø 21.3 mm) with single hole / 316L
		L	Coax (ø 21.3 mm) with multiple hole / 316L
		N	Coax (ø 21.3 mm) with multiple hole / 304L
		O	exchangeable rod (ø 12 mm) / Alloy C22 (2.4602)
		P	Coax (ø 42.2 mm) with multiple hole / 316L
		Q	Coax (ø 21.3 mm) with multiple hole / Alloy C22 (2.4602)
		R	Coax (ø 42.2 mm) with multiple hole / Alloy C22 (2.4602)
		S	exchangeable rod (ø 8 mm) / Alloy C22 (2.4602)
		U	exchangeable cable (ø 4 mm) without weight / 316
V	exchangeable rod (ø 12 mm) / Alloy 400 (2.4360)		
W	exchangeable rod (ø 8 mm) / Alloy C276 (2.4819)		
		*	further approved Versions / Materials
ef	Process fitting / Material	**	Two-digit alphanumeric variables for process fittings according to industry standard

Position		Feature	Description
g	Seal / Second line of defense / Process temperature	A	FKM (SHS EPM 70C3 GLT) / without / -40 ... +80 °C
		B	EPDM (A+P 70.10-02) / without / -40 ... +80 °C
		D	FFKM (Kalrez 6375) / without / -10 ... +150 °C
		D	FFKM (Kalrez 6375) / without / -20 ... +150 °C
		F	FKM (SHS FPM 70C3 GLT) / without / -40 ... +150 °C
		G	FKM (SHS FPM 70C3 GLT) / with / -40 ... +150 °C
		H	EPDM (A+P 70.10-02) / without / -40 ... +150 °C
		I	Silicone FEP coated (A+P FEP-O-SEAL) / without / -40 ... +150 °C
		J	Borosilicate glass for slightly volatile substances, e.g. ammonia / with / -60 ... +150 °C
		K	FFKM (Kalrez 6375) / without / -10 ... +200 °C
		K	FFKM (Kalrez 6375) / without / -20 ... +200 °C
		L	FFKM (Kalrez 6375) / with / -10 ... +200 °C
		L	FFKM (Kalrez 6375) / with / -20 ... +200 °C
		M	EPDM (A+P 70.10-02) / with / -40 ... +150 °C
		N	Silicone FEP coated (A+P FEP-O-SEAL) / with / -40 ... +150 °C
		O	Silicone FEP coated (A+P FEP-O-SEAL) / without / -40 ... +80 °C
		P	FFKM (Kalrez 6375) / with / -10 ... +150 °C
		P	FFKM (Kalrez 6375) / with / -20 ... +150 °C
		Q	FKM (SHS EPM 70C3 GLT) / with / -40 ... +80 °C
		R	EPDM (A+P 70.10-02) / with / -40 ... +80 °C
S	Silicone FEP coated (A+P FEP-O-SEAL) / with / -40 ... +80 °C		
*	Other seals suitable for process temperature, IP protection and environmental conditions, see operating instructions.		
h	Electronics	H	Two-wire 4 ... 20 mA/HART
		A	Two-wire 4 ... 20 mA/HART with SIL qualification
		B	Four-wire 4 ... 20 mA/HART; 90 ... 253 V AC; 50/60 Hz
		I	Four-wire 4 ... 20 mA/HART; 9.6 ... 48 V DC; 20 ... 42 V AC
		U	Four-wire Modbus (converter in second chamber)
i	Supplementary electronics	X	without
j	Housing / Protection	D	Aluminium double chamber / IP66/IP68 (0.2 bar)
		L	Cable outlet IP68 with external Aluminium double chamber / IP66/IP67
		M	Cable outlet IP68 with external stainless steel double chamber / IP66/IP67
		S	Special colour Aluminium double chamber / IP66/IP68 (0.2 bar)
		T	Cable outlet IP68 with external special colour Aluminium double chamber / IP66/IP67
		W	Stainless steel double chamber / IP66/IP68 (0.2 bar)

Position		Feature	Description
k	Cable entry / Connection	1	M20 x 1.5 / without
		D	M20 x 1.5 / Blind plug
		N	½ NPT / Blind plug
		Q	½ NPT / without
		*	Respectively approved cable glands and blind plugs correspond to the ignition protection type
l	Display and adjustment module PLICSCOM	X	without
		A	mounted
		F	without; lid with inspection window
		B	Laterally mounted
		K	mounted; with Bluetooth, magnetic pen operation
		L	laterally mounted; with Bluetooth, magnetic pen operation
m	Certificates	M	Yes
		X	No

VEGAFLEX FX82(a).bcdefghijklm

Position		Feature	Description
a			One or two-digit alphanumeric variable, for production control. Optional, not safety-relevant.
b	Scope	D	India
c	Approval	D	Ex d ia IIC T6 ... T1 Ga/Gb
		P	Ex d ia IIC T6 ... T1 Ga/Gb + Ship approval
d	Version / Material	A	exchangeable cable (ø 4 mm) / 316
		F	exchangeable rod (ø 6 mm) / 316
		E	exchangeable steel cable (ø 6 mm with gravity weight / PA coated)
		G	exchangeable steel cable (ø 11 mm with gravity weight / PA coated)
		H	exchangeable rod (ø 16 mm) / 316L
		T	exchangeable rod (ø 16 mm) / Alloy C22 (2.4602)
		*	further approved Versions / Materials
ef	Process fitting / Material	**	Two-digit alphanumeric variables for process fittings according to industry standard
g	Seal / Process temperature	F	FKM (SHS FPM 70C3 GLT) / -40 ... +150 °C
		H	EPDM (A+P 70.10-02) / -40 ... +150 °C
		K	FFKM (Kalrez 6375) / -20 ... +200 °C
		*	Other seals suitable for process temperature, IP protection and environmental conditions, see operating instructions.

Position		Feature	Description
h	Electronics	H	Two-wire 4 ... 20 mA/HART
		A	Two-wire 4 ... 20 mA/HART with SIL qualification
		B	Four-wire 4 ... 20 mA/HART; 90 ... 253 V AC; 50/60 Hz
		I	Four-wire 4 ... 20 mA/HART; 9.6 ... 48 V DC; 20 ... 42 V AC
		U	Four-wire Modbus (converter in second chamber)
i	Supplementary electronics	X	without
j	Housing / Protection	D	Aluminium double chamber / IP66/IP68 (0.2 bar)
		L	Cable outlet IP68 with external Aluminium double chamber / IP66/IP67
		M	Cable outlet IP68 with external stainless steel double chamber / IP66/IP67
		S	Special colour Aluminium double chamber / IP66/IP68 (0.2 bar)
		T	Cable outlet IP68 with external special colour Aluminium double chamber / IP66/IP67
		W	Stainless steel double chamber / IP66/IP68 (0.2 bar)
k	Cable entry / Connection	1	M20 x 1.5 / without
		D	M20 x 1.5 / Blind plug
		N	½ NPT / Blind plug
		Q	½ NPT / without
		*	Respectively approved cable glands and blind plugs correspond to the ignition protection type
l	Display and adjustment module PLICSCOM	X	without
		A	mounted
		F	without; lid with inspection window
		B	Laterally mounted
		K	mounted; with Bluetooth, magnetic pen operation
		L	laterally mounted; with Bluetooth, magnetic pen operation
m	Certificates	M	Yes
		X	No

VEGAFLEX FX83(a).bcdefghijklm

Position		Feature	Description
a			One or two-digit alphanumeric variable, for production control. Optional, not safety-relevant.
b	Scope	D	India
c	Approval	D	Ex d ia IIC T6 ... T1 Ga/Gb
		P	Ex d ia IIC T6 ... T1 Ga/Gb + Ship approval

Position		Feature	Description
d	Version / Material	B	exchangeable cable (ø 4 mm) with gravity weight / PFA
		F	exchangeable rod (ø 8 mm) / 1.4435 (BN2), (Ra<0,76µm)
		G	exchangeable rod (ø 8 mm) / 1.4435 (BN2), can be autoclaved (Ra<0,76µm)
		E	Rod (ø 10 mm) / PFA
		H	exchangeable rod (ø 8 mm) / 1.4435 (BN2), electropolished (Ra<0,38µm)
		I	exchangeable rod (ø 8 mm) / 1.4435 (BN2), electropolished, can be autoclaved (Ra<0,38µm)
		*	further approved Versions / Materials
ef	Process fitting / Material	**	Two-digit alphanumeric variables for process fittings according to industry standard
g	Seal / Process temperature	X	without / -40 ... +150 °C
		E	FFKM (Kalrez 6221) / -20 ... +150 °C
		C	EPDM (Freudenberg 70, EPDM 291) / -20 ... +130 °C
		T	FEPM (Vi 602 Extreme-ETP, COG) / -10 ... +150 °C
		*	Other seals suitable for process temperature, IP protection and environmental conditions, see operating instructions.
h	Electronics	H	Two-wire 4 ... 20 mA/HART
		A	Two-wire 4 ... 20 mA/HART with SIL qualification
		B	Four-wire 4 ... 20 mA/HART; 90 ... 253 V AC; 50/60 Hz
		I	Four-wire 4 ... 20 mA/HART; 9.6 ... 48 V DC; 20 ... 42 V AC
		U	Four-wire Modbus (converter in second chamber)
i	Supplementary electronics	X	without
		Z	Additional current output 4 ... 20 mA
j	Housing / Protection	D	Aluminium double chamber / IP66/IP68 (0.2 bar)
		L	Cable outlet IP68 with external Aluminium double chamber / IP66/IP67
		M	Cable outlet IP68 with external stainless steel double chamber / IP66/IP67
		S	Special colour Aluminium double chamber / IP66/IP68 (0.2 bar)
		T	Cable outlet IP68 with external special colour Aluminium double chamber / IP66/IP67
		W	Stainless steel double chamber / IP66/IP68 (0.2 bar)
k	Cable entry / Connection	1	M20 x 1.5 / without
		D	M20 x 1.5 / Blind plug
		N	½ NPT / Blind plug
		Q	½ NPT / without
		*	Respectively approved cable glands and blind plugs correspond to the ignition protection type

Position		Feature	Description
i	Display and adjustment module PLICSCOM	X	without
		A	mounted
		F	without; lid with inspection window
		B	Laterally mounted
		K	mounted; with Bluetooth, magnetic pen operation
		L	laterally mounted; with Bluetooth, magnetic pen operation
m	Certificates	M	Yes
		X	No

VEGAFLEX FX86(a).bcdefghijklm

Position		Feature	Description
a			One or two-digit alphanumeric variable, for production control. Optional, not safety-relevant.
b	Scope	D	Europe
c	Approval	D	Ex d ia IIC T6 ... T1 Ga/Gb
		P	Ex d ia IIC T6 ... T1 Ga/Gb + Ship approval
d	Version / Material	2	exchangeable cable (ø 2 mm) with centering weight / Duplex (1.4462)
		4	Coax (ø 42.2 mm) with multiple hole and reference distance / 316L
		5	Coax (ø 42.2 mm) with multiple hole and reference distance / Alloy C22 (2.4602)
		6	exchangeable rod (ø 8 mm) / Duplex (1.4462)
		A	exchangeable cable (ø 4 mm) with gravity weight / 316
		B	exchangeable cable (ø 2 mm) with gravity weight / 316
		C	exchangeable cable (ø 4 mm) with centering weight / 316
		D	exchangeable cable (ø 2 mm) with centering weight / 316
		E	exchangeable rod (ø 8 mm) / 316L
		H	exchangeable rod (ø 16 mm) / 316L
		I	exchangeable cable (ø 4 mm) with gravity weight / Alloy C22 (2.4602)
		J	exchangeable cable (ø 4 mm) with centering weight / Alloy C22 (2.4602)
		L	Coax (ø 21.3 mm) with multiple hole / 316L
		P	Coax (ø 42.2 mm) with multiple hole / 316L
		R	Coax (ø 42.2 mm) with multiple hole / Alloy C22 (2.4602)
		T	exchangeable rod (ø 16 mm) / Alloy C22 (2.4602)
W	exchangeable rod (ø 8 mm) / Alloy C276 (2.4819)		
*	further approved Versions / Materials		
ef	Process fitting / Material	**	Two-digit alphanumeric variables for process fittings according to industry standard

Position		Feature	Description
g	Seal / Second line of defense / Process temperature	1	Ceramic-graphite / with / -196 ... +280 °C
		2	Ceramic-graphite / with / -196 ... +400 °C
		2	Ceramic-graphite / with / -196 ... +450 °C
		3	PEEK-FFKM (Kalrez 6375) / with / -20 ... +250 °C
		*	Other seals suitable for process temperature, IP protection and environmental conditions, see operating instructions.
h	Electronics	H	Two-wire 4 ... 20 mA/HART
		A	Two-wire 4 ... 20 mA/HART with SIL qualification
		B	Four-wire 4 ... 20 mA/HART; 90 ... 253 V AC; 50/60 Hz
		I	Four-wire 4 ... 20 mA/HART; 9.6 ... 48 V DC; 20 ... 42 V AC
		U	Four-wire Modbus (converter in second chamber)
i	Supplementary electronics	X	without
j	Housing / Protection	D	Aluminium double chamber / IP66/IP68 (0.2 bar)
		L	Cable outlet IP68 with external Aluminium double chamber / IP66/IP67
		M	Cable outlet IP68 with external stainless steel double chamber / IP66/IP67
		S	Special colour Aluminium double chamber / IP66/IP68 (0.2 bar)
		T	Cable outlet IP68 with external special colour Aluminium double chamber / IP66/IP67
		W	Stainless steel double chamber / IP66/IP68 (0.2 bar)
k	Cable entry / Connection	1	M20 x 1.5 / without
		D	M20 x 1.5 / Blind plug
		N	½ NPT / Blind plug
		Q	½ NPT / without
		*	Respectively approved cable glands and blind plugs correspond to the ignition protection type
l	Display and adjustment module PLICSCOM	X	without
		A	mounted
		F	without; lid with inspection window
		B	Laterally mounted
		K	mounted; with Bluetooth, magnetic pen operation
		L	laterally mounted; with Bluetooth, magnetic pen operation
m	Certificates	M	Yes
		X	No

Multiple listed characteristics according to the dependencies of the device configuration.

In the following, all above mentioned versions are called VEGAFLEX 81, 82, 83, 86. If parts of these safety instructions refer only to certain versions, then these will be mentioned explicitly with their type code.

3 General information

The level measuring instruments VEGAFLEX 81, 82, 83, 86 as guided radar sensors are used to detect the distance between medium surface and sensor by means of high frequency electromagnetic waves in the GHz range. The electronics uses the running time of the signals reflected by the medium surface to calculate the distance to the medium surface.

The VEGAFLEX 81, 82, 83, 86 consist of an electronics housing, a process connection element and a sensor, i.e. a measuring cable or a measuring rod. As an option, the display and adjustment module can also be installed in the instrument.

The VEGAFLEX 81, 82, 83, 86 are suitable for applications in hazardous atmospheres of all combustible materials of explosion groups IIA, IIB and IIC.

The VEGAFLEX 81, 82, 83, 86 are suitable for applications requiring EPL Ga/Gb or EPL Gb instruments.




4 Application area

EPL Ga/Gb or EPL Ga/Gc instrument

The VEGAFLEX 81, 82, 83, 86 with mechanical fixing element are installed in hazardous areas of zone 1 or zone 2 requiring EPL Gb or EPL Gc instruments. The mechanical fixing element, process connection element is installed in the separating wall, which separates areas requiring EPL Gb or EPL Gc instruments. The sensor measuring system is installed in hazardous areas of zone 0 requiring EPL Ga instruments.

EPL Gb instrument

The VEGAFLEX 81, 82, 83, 86 with the mechanical fixing element are installed in hazardous areas of zone 1 requiring EPL Gb instruments.

VEGA Instrument	EPL Gc	EPL Gb	EPL Ga/Gb
Ex Zone 2 			
Ex Zone 1 			
Ex Zone 0 			

5 Specific conditions of use ("X" identification)

The following overview is listing all special properties of VEGAFLEX 81, 82, 83, 86, which make a labelling with the symbol "X" behind the certificate number necessary.

Electrostatic charging (ESD)

You can find the details in chapter "*Electrostatic charging (ESD)*" of these safety instructions.

Ambient temperature

You can find the details in chapter " *Thermal data*" of these safety instructions.

Impact and friction sparks

The VEGAFLEX 81, 82, 83, 86 in light metal versions (e.g. aluminium, titanium, zircon) must be mounted in such a way that sparks from impact and friction between light metals and steel (except stainless steel, if the presence of rust particles can be excluded) cannot occur.

Non-grounded, metallic parts

The resistance between aluminium housing to metal measuring point identification plate is $> 10^9$ Ohm.

The capacitance of the metal measuring point identification plate was measured with 15 pF.

For versions with external housing

For the version with external housing, the potential equalization must be provided in the complete range of the connection cable between electronics housing and transmitter housing.

Make sure that the coaxial connection cable between electronics housing and sensor housing cannot get damaged.

6 Important information for mounting and maintenance**General instructions**

The following requirements must be fulfilled for mounting, electrical installation, setup and maintenance of the instrument:

- The staff must be qualified according the respective tasks
- The staff must be trained in explosion protection
- The staff must be familiar with the respectively valid regulations, e.g. planning and installation acc. to IEC/EN 60079-14
- Make sure when working on the instrument (mounting, installation, maintenance) that there is no explosive atmosphere present, the supply circuits should be voltage-free, if possible.
- The instrument has to be mounted according to the manufacturer specifications, the Letter By Government of India and the valid regulations and standards
- Modifications on the instrument can influence the explosion protection and hence the safety, therefore repairs are not permitted to be conducted by the end user
- Modifications must only be carried out by employees authorized by VEGA company
- Use only approved spare parts
- Components for installation and connection not included in the approval documents are only permitted if these correspond technically to the latest standard mentioned on the cover sheet. They must be suitable for the application conditions and have a separate certificate. The special conditions of the components must be noted and if necessary, the components must be integrated in the type test. This applies also to the components already mentioned in the technical description.
- Vessel installations and probable flow must be taken into account

Cable and wire entries

- The VEGAFLEX 81, 82, 83, 86 must be connected via suitable cable gland or conduit systems that are in conformity with the requirements of the type of protection and the IP protection and provided with a separate type approval certificate. When connecting VEGAFLEX 81, 82, 83, 86 to conduit systems, the corresponding sealing facility must be connected directly to the housing.
- The red thread or/dust covers screwed in when the instruments are shipped (depending on the version) must be removed before setup and replaced by cable entries or closing screws suitable for the respective ignition protection type and IP protection.

- Note type and size of the thread: A label with the respective thread name is in the area of the respective thread
- Threads must have no damages
- Cable entries and closing screws should be mounted correctly and according to the safety instructions of the manufacturer to ensure the specified ignition protection type and IP protection rating. When using certified or suitable cable glands, closing screws or plug connections, it is absolutely necessary to note the corresponding certificates/documents. Supplied cable entries or closing screws meet these requirements.
- Unused openings must be closed with plugs suitable for the ignition protection type and IP protection. Supplied plugs meet these requirements.
- Cable or wire entries resp. the closing screws must be tightly screwed into the housing
- The connection cables resp. pipeline sealing facilities must be suitable for the application conditions (e.g. temperature range) of the application
- With surface temperatures $> 70\text{ }^{\circ}\text{C}$, the cables must be suitable for the higher application conditions
- The connection cable of VEGAFLEX 81, 82, 83, 86 has to be wired fix and in such a way that damages can be excluded.

Double chamber housing "Ex db ia"



- 1 Lid, optionally with inspection window
- 2 Electronics compartment
- 3 Screw plug
- 4 Connection compartment
- 5 Transport protection, replace with installation
Red threaded or dust protection cap
- 6 Label: Thread type
- 7 Locking screws of the lid for lid locking
- 8 Lid, optionally with inspection window
- 9 Locking screws of the lid for lid locking

Mounting

Keep in mind for instrument mounting

- Mechanical damage on the instrument must be avoided
- Mechanical friction must be avoided
- Vessel installations and probable flow must be taken into account
- Process connections separating two areas of different Ex-zones must comply to valid regulations and standards and the protection rating must be in conformity to IEC/EN 60529

- Close the housing lid (s) up to the stop before starting operating, to ensure the IP protection rating specified on the type label
- Protect the lid against unauthorized opening by unscrewing the locking screw up to the stop. With double chamber housing, you have to protect both lids.

Maintenance

To ensure the functionality of the device, periodic visual inspection is recommended for:

- Secure mounting
- No mechanical damages or corrosion
- Worn or otherwise damaged cables
- No loose connections of the line connections, equipotential bonding connections
- Correct and clearly marked cable connections

The parts of the VEGAFLEX 81, 82, 83, 86 being in contact with flammable media during operation must be included in the periodic overpressure test of the plant.

Intrinsic safety "i"

- Valid regulations for connection of intrinsically safe circuits, e.g. proof of intrinsic safety according to IEC/EN 60079-14 must be observed
- The instrument is only suitable for connection to certified, intrinsically safe instruments
- When connecting a circuit with protection level Ex ib, the device, the sensor meas. system of the device must no more be used in hazardous areas of zone 0.
- When connecting an intrinsically safe instruments with classification mark Ex ia to a circuit with protection level Ex ib, then the classification mark of the instrument changes to Ex ib. After the use as instrument with Ex ib power supply, the instrument must no more be used in circuits with protection level Ex ia
- When connecting an intrinsically safe instrument to an non-intrinsically safe circuit, the instrument must be no longer used in intrinsically safe circuits
- With surface temperatures > 70 °C, the cables must be suitable for the higher application conditions

Flameproof enclosure "d"

- The terminals for connecting the operating voltage or signal circuits are integrated in the connection compartment with type of protection flameproof enclosure "d"
- The thread gaps between housing and cover as well as between threaded fitting and container are flameproof joints
- It is not allowed to repair the flameproof joints.
- Cable, wire entries and closing screws must be certified acc. to ignition protection type Flameproof enclosures "d". Cable, wire entries and closing screws of simple design must not be used.
- Separately certified cable and wire entries can determine the permissible ambient temperature range or the temperature classes
- Only one threaded adapter is allowed per thread, when using a closing screw, threaded adapters are not allowed

Version with exchangeable cable or rod probe

Only original VEGA cable or rod probes must be mounted to VEGAFLEX 81, 82, 83, 86. When mounting cable or rod probes, the torques specified in the respective operating instruction manuals must be maintained. The mechanical connection must be ensured.

7 Safe operating mode

General operating conditions

- Do not operate the instrument outside the electrical, thermal and mechanical specifications of the manufacturer
- Use the instrument only in media against which the wetted parts are sufficiently resistant
- Note the relation between process temperature on the sensor/antenna and the permissible ambient temperature on the electronics housing. For permissible temperatures, see the respective temperature tables. See chapter " *Thermal data*".
- If necessary, a suitable overvoltage arrester can be connected in front of the VEGAFLEX 81, 82, 83, 86
- When used in hybrid mixtures (gas and dust at the same time) additional measures for explosion protection must be taken
- Lids in ignition protection type "Ex d" must not be opened if there is a hazardous atmosphere. The housing lids are marked with the warning label:

WARNING - DO NOT OPEN WHEN AN
EXPLOSIVE ATMOSPHERE IS PRESENT

- Components for installation and connection not included in the approval documents are only permitted if these correspond technically to the latest standard mentioned on the cover sheet. They must be suitable for the application conditions and have a separate certificate. The special conditions of the components must be noted and if necessary, the components must be integrated in the type test. This applies also to the components already mentioned in the technical description.

8 Potential equalization/Grounding

- Integrate the instruments into the local potential equalisation, e.g. via the internal or external earth terminal
- The potential equalization terminal must be secured against loosening and twisting
- If grounding of the cable screening is necessary, this must be carried out acc. to the valid standards and regulations, e.g. acc. to IEC/EN 60079-14
- The intrinsically safe input and the intrinsically safe output circuits are ground-free. The voltage resistance against ground is min. 500 Veff.

9 Electrostatic charging (ESD)

In case of instrument versions with electrostatically chargeable plastic parts, the danger of electrostatic charging and discharging must be taken into account!

The following parts can charge and discharge:

- Lacquered housing version or alternative special lacquering
- Plastic housing, plastic housing parts
- Metal housing with inspection window
- Plastic process fittings
- Plastic-coated process fittings and/or plastic-coated sensors
- Connection cable for separate versions
- Type label
- Isolated metallic labels (measuring point identification plate)

Take note in case of danger of electrostatic charges:

- Avoid friction on the surfaces

- Do not dry clean the surfaces

The instruments must be mounted/installed in such a way that the following can be ruled out:

- electrostatic charges during operation, maintenance and cleaning.
- process-related electrostatic charges, e.g. by measuring media flowing past

The warning label indicates danger:

WARNING - POTENTIAL ELECTROSTATIC CHARGING HAZARD - SEE INSTRUCTIONS

10 Electrical data

VEGAFLEX FX8*(*) .DD/P****A/HX****

Supply and signal circuit in the Ex d connection compartment, double chamber housing:	
Terminals 1[+], 2[-]	$U = 15 \dots 35 \text{ V DC}$ $U_m = 253 \text{ V AC/DC}$ $I \leq 3.5 \dots 22.5 \text{ mA (with superimposed HART signal)}$

VEGAFLEX FX8*(*) .DD/P****BX****

Supply circuit in the Ex d connection compartment of the double chamber housing:	
Terminals 1[+], 2[-]	$U = 90 \dots 253 \text{ V AC}$ $U_m = 253 \text{ V AC/DC}$

Active 4 ... 20 mA signal circuit in the Ex d connection compartment, double chamber housing:	
Terminals 5[+], 7[-]	$U_m = 60 \text{ V AC/DC}$ $I \leq 3.5 \dots 22.5 \text{ mA (with superimposed HART signal)}$

Passive 4 ... 20 mA signal circuit in the Ex d connection compartment, double chamber housing:	
Terminals 6[+], 7[-]	$U_m = 60 \text{ V AC/DC}$ $I \leq 3.5 \dots 22.5 \text{ mA (with superimposed HART signal)}$

VEGAFLEX FX8*(*) .DD/P****IX****

Supply circuit in the Ex d connection compartment of the double chamber housing:	
Terminals 1[+], 2[-]	$U = 9.6 \dots 48 \text{ V DC}; 42 \text{ V AC}$ $U_m = 253 \text{ V AC}$

Active 4 ... 20 mA signal circuit in the Ex d connection compartment, double chamber housing:	
Terminals 5[+], 7[-]	$U_m = 60 \text{ V AC/DC}$ $I \leq 3.5 \dots 22.5 \text{ mA (with superimposed HART signal)}$

Passive 4 ... 20 mA signal circuit in the Ex d connection compartment, double chamber housing:	
Terminals 6[+], 7[-]	$U_m = 60 \text{ V AC/DC}$ $I \leq 3.5 \dots 22.5 \text{ mA (with superimposed HART signal)}$

VEGAFLEX FX8*(*)..DD/P****UX****

Supply circuit in the Ex d connection compartment of the double chamber housing:	
Terminals 1[+], 2[-]	$U = 8 \dots 32 \text{ V DC}$ $U_m = 253 \text{ V AC}$
Signal circuit in the Ex d connection compartment of the double chamber housing:	
Terminals MB[+], MB[-]	$U = 5 \text{ V with Modbus signal (telegram)}$ $U_m = 253 \text{ V AC}$
USB connection: (6-pole mini USB socket)	$U_{max} = 5 \text{ V with USB signal (USB protocol)}$ $U_m = 253 \text{ V AC}$
Display and adjustment circuit in the Ex d connection compartment:	
Terminals 5, 6, 7, 8	For connection to the circuit of the passive display unit VEGADIS 81 in ignition protection type flameproof enclosure "d" with corresponding CCOE approval.
Intrinsically safe circuit for the external display and adjustment unit:	
Terminals 5, 6, 7, 8	In type of protection intrinsic safety Ex ia IIC.
	For connection to the intrinsically safe circuit of the corresponding external indicating unit VEGADIS 81 in ignition protection type Intrinsic safety "i" with corresponding CCOE approval.
	The proof for intrinsic safety of the interconnection rendered if the total inductance and total capacitance of the connection cable $L_{cable} = 212 \mu\text{H}$ and $C_{cable} = 1.98 \mu\text{F}$ is not exceeded
	When using the supplied VEGA connection cable, then the permissible cable length is $L_{zul} = 341 \text{ m}$.
Display and adjustment circuit:	
Spring contacts in the Ex d connection compartment	Only for connection to the display and adjustment module PLICSCOM or for service purposes the interface adapter VEGACONNECT, if it is ensured that no explosive atmosphere is present.
Spring contacts in the Ex i electronics compartment	In type of protection intrinsic safety Ex ia IIC.
	Only for connection to the display and adjustment module PLICSCOM.

The circuits of VEGAFLEX 81, 82, 83, 86 are galvanically separated from ground.

The circuits of VEGAFLEX 81, 82, 83, 86 are galvanically connected to ground potential via the earth terminals.

The metallic parts of VEGAFLEX 81, 82, 83, 86 are electrically connected with the earth terminals.

11 Mechanical data

The following mechanical data are valid for all housing and electronics versions.

Mechanical data	
Ground terminal (connection cross-section)	$\geq 4 \text{ mm}^2$

Mechanical data	
Overvoltage category	III
Pollution degree	2
<ul style="list-style-type: none"> ● Materials ● Max. tensile load on the cable or rod probe ● Potential connections and electrical separating measures in the instrument ● Electromechanical data ● Electrical protective measures 	Are described in the operating instructions VEGAFLEX 81, 82, 83, 86 in chapter " <i>Technical data</i> ".

12 Thermal data

The following temperature tables are valid for all housing and electronics versions.

The relationship between the permissible ambient temperature for the electronics housing depending on the area of application and the maximum surface temperatures, temperature classes, can be seen in the following tables.

VEGAFLEX FX8*(*).DD/P****A/HX****

Temperature class	Temperature on the sensor (measuring cable, rod)	Ambient temperature on the electronics	
		Housing lid without inspection window	Housing lid with inspection window
T6	-60 ... +80 °C	-60 ... +46 °C	-50 ... +46 °C
T5	-60 ... +95 °C	-60 ... +61 °C	-50 ... +61 °C
T4	-60 ... +130 °C	-60 ... +70 °C	-50 ... +70 °C
T3	-60 ... +195 °C	-60 ... +70 °C	-50 ... +70 °C
T2	-60 ... +290 °C	-60 ... +70 °C	-50 ... +70 °C
T1	-60 ... +440 °C	-60 ... +70 °C	-50 ... +70 °C

VEGAFLEX FX8*(*).DD/P****A/HX****, low temperature version down to -196 °C

Temperature class	Temperature on the sensor (measuring cable, rod)	Ambient temperature on the electronics	
		Housing lid without inspection window	Housing lid with inspection window
T6	-196 ... +80 °C	-60 ... +46 °C	-50 ... +46 °C
T5	-196 ... +95 °C	-60 ... +61 °C	-50 ... +61 °C
T4	-196 ... +130 °C	-60 ... +70 °C	-50 ... +70 °C
T3	-196 ... +195 °C	-60 ... +70 °C	-50 ... +70 °C
T2	-196 ... +290 °C	-60 ... +70 °C	-50 ... +70 °C
T1	-196 ... +440 °C	-60 ... +70 °C	-50 ... +70 °C

VEGAFLEX FX8*(*).DD/P****B//UX****

Temperature class	Temperature on the sensor (measuring cable, rod)	Ambient temperature on the electronics	
		Housing lid without inspection window	Housing lid with inspection window
T6	-60 ... +80 °C	-60 ... +46 °C	-50 ... +46 °C

Temperature class	Temperature on the sensor (measuring cable, rod)	Ambient temperature on the electronics	
		Housing lid without inspection window	Housing lid with inspection window
T5	-60 ... +95 °C	-60 ... +60 °C	-50 ... +60 °C
T4	-60 ... +130 °C	-60 ... +60 °C	-50 ... +60 °C
T3	-60 ... +195 °C	-60 ... +60 °C	-50 ... +60 °C
T2	-60 ... +290 °C	-60 ... +60 °C	-50 ... +60 °C
T1	-60 ... +440 °C	-60 ... +60 °C	-50 ... +60 °C

VEGAFLEX FX8*(*) .DD/P****B/I/UX****, low temperature version down to -196 °C

Temperature class	Temperature on the sensor (measuring cable, rod)	Ambient temperature on the electronics	
		Housing lid without inspection window	Housing lid with inspection window
T6	-196 ... +80 °C	-60 ... +46 °C	-50 ... +46 °C
T5	-196 ... +95 °C	-60 ... +60 °C	-50 ... +60 °C
T4	-196 ... +130 °C	-60 ... +60 °C	-50 ... +60 °C
T3	-196 ... +195 °C	-60 ... +60 °C	-50 ... +60 °C
T2	-196 ... +290 °C	-60 ... +60 °C	-50 ... +60 °C
T1	-196 ... +440 °C	-60 ... +60 °C	-50 ... +60 °C

The sensors (measuring cable, rod) may only be operated in areas for EPL Ga, EPL Ga/Gb and EPL Gb applications if atmospheric conditions are present (pressure of 0.8 ... 1.1 bar).

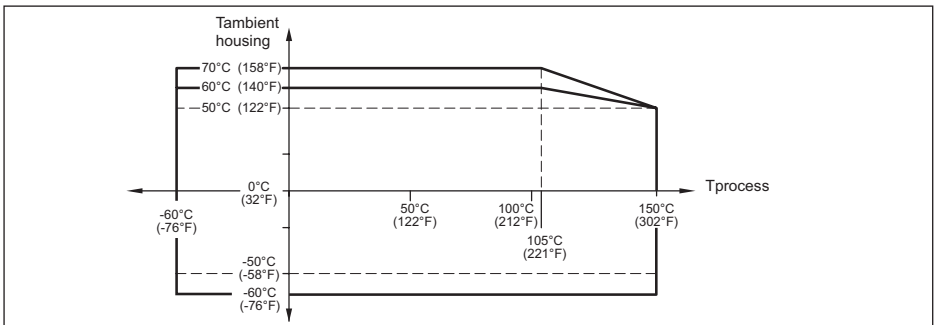
If there is no explosive atmosphere, the permissible operating temperatures and pressures must be taken from the manufacturer specifications (operating instructions).

If the sensors (measuring cable, measuring rod) are operated at temperatures higher than those listed in the table above, measures must be taken to prevent the risk of ignition from hot surfaces.

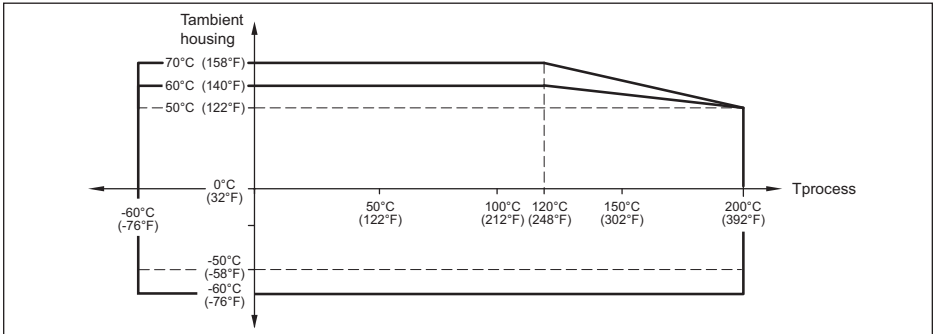
The maximum permissible temperature at the electronics/housing must not exceed the values in the above table.

Temperature derating for process temperatures up to +150 °C, +200 °C, +250 °C, +280 °C and +450 °C

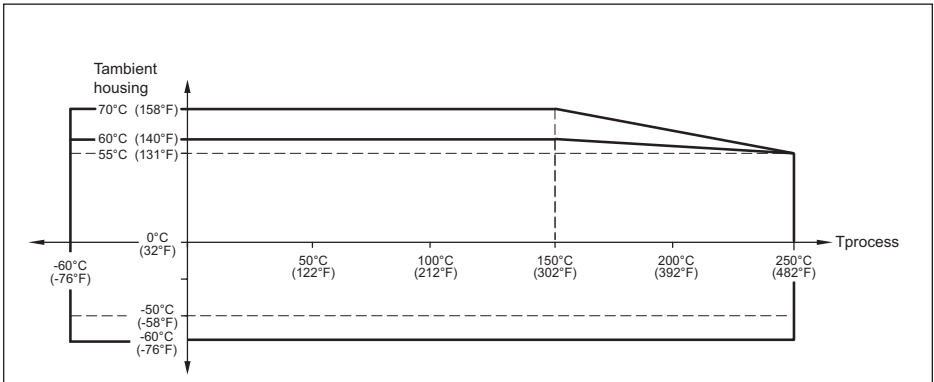
Versions for process temperatures up to +150 °C



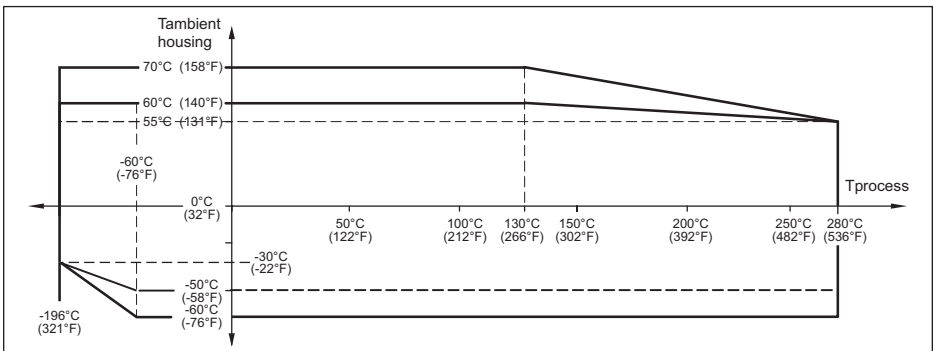
Versions for process temperatures up to +200 °C



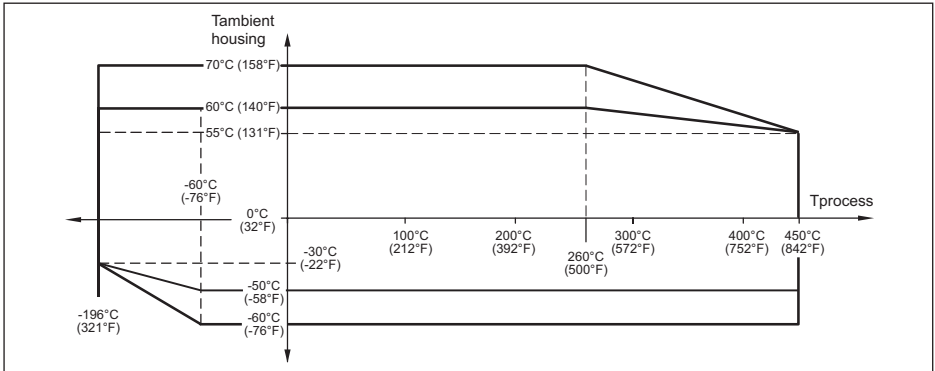
Versions for process temperatures up to +250 °C



Versions for process temperatures up to +280 °C



Versions for process temperatures up to +450 °C



Confirmation

Hereby the company VEGA Grieshaber KG declares that the approved CCOE devices have been manufactured in accordance with the IECEx approval mentioned in the attached CCOE certificate.

VEGA Grieshaber KG
 Am Hohenstein 113
 77761 Schiltach/Germany
 Tel. +49 7836 50-0
 E-mail: info@vega.com - www.vega.com

Printing date:

VEGA

All statements concerning scope of delivery, application, practical use and operating conditions of the sensors and processing systems correspond to the information available at the time of printing.

Subject to change without prior notice

© VEGA Grieshaber KG, Schiltach/Germany 2023

63693-EN-230203

VEGA Grieshaber KG
Am Hohenstein 113
77761 Schiltach
Germany

Phone +49 7836 50-0
E-mail: info.de@vega.com
www.vega.com