

Safety Manual

VEGATRENN 141, 142

With SIL qualification



Document ID: 52434



Contents

| | |
|---|-----------|
| 1 Document language | 3 |
| 2 Scope | 4 |
| 2.1 Instrument version | 4 |
| 2.2 Application area | 4 |
| 2.3 SIL conformity | 4 |
| 3 Planning | 5 |
| 3.1 Safety function | 5 |
| 3.2 Safe state | 5 |
| 3.3 SIL2 application for 1oo1 architecture | 5 |
| 3.4 SIL3 application for 1oo2 architecture | 5 |
| 3.5 Prerequisites for operation | 6 |
| 4 Safety-related characteristics..... | 8 |
| 4.1 Characteristics acc. to IEC 61508 for 1oo1 architecture | 8 |
| 4.2 Characteristics acc. to ISO 13849-1 | 9 |
| 4.3 Characteristics acc. to IEC 61508 for 1oo2 architecture | 10 |
| 4.4 Supplementary information | 11 |
| 5 Setup | 12 |
| 5.1 General information..... | 12 |
| 5.2 Adjustment instructions | 12 |
| 6 Diagnostics and servicing | 13 |
| 6.1 Behaviour in case of failure | 13 |
| 6.2 Repair | 13 |
| 7 Proof test | 14 |
| 7.1 General information..... | 14 |
| 7.2 Test 1 - with input current simulation..... | 14 |
| 8 Appendix A - Test report..... | 15 |
| 9 Appendix B - Term definitions | 16 |
| 10 Supplement C - SIL conformity | 17 |

1 Document language

| | |
|----|--|
| DE | Das vorliegende <i>Safety Manual</i> für Funktionale Sicherheit ist verfügbar in den Sprachen Deutsch, Englisch, Französisch und Russisch. |
| EN | The current <i>Safety Manual</i> for Functional Safety is available in German, English, French and Russian language. |
| FR | Le présent <i>Safety Manual</i> de sécurité fonctionnelle est disponible dans les langues suivantes: allemand, anglais, français et russe. |
| RU | Данное руководство по функциональной безопасности <i>Safety Manual</i> имеется на немецком, английском, французском и русском языках. |

2 Scope

2.1 Instrument version

This safety manual applies to the separators

VEGATRENN 141, 142

Valid versions:

- HW Ver 1.0.0 to 1.01

2.2 Application area

The instruments VEGATRENN 14* are used for voltage supply of 4 ... 20 mA/HART sensors in two-wire version where the measured value is output in a galvanically separated current loop.

With suitable transmitters, the VEGATRENN 14* can be used for level detection or range monitoring in a safety-related system according to IEC 61508 in the modes *low demand mode* or *high demand mode*.

Due to the systematic capability SC3 this is possible up to:

- SIL2 in single-channel architecture
- SIL3 in multiple channel architecture



The HART interface must not be used to output the measured value.

2.3 SIL conformity

The SIL conformity was judged and certified independently by TÜV Rheinland according to IEC 61508:2010 (Ed.2) (verification documents see "Supplement").



The certificate is valid for the entire service life of all instruments that were sold before the certificate expired!

3 Planning

3.1 Safety function

Safety function

The intrinsically safe current of the transmitters in Ex areas is detected and provided on the non-intrinsically safe output for further processing.

Safety tolerance

For the design of the safety function, the following aspect must be taken into account with regard to the tolerances:

Due to undetected failures in the range between 3.8 mA and 20.5 mA, an incorrect output signal can be generated which deviates from the real measured value by up to 2 %

3.2 Safe state

Safe state

The safe state of the current output depends on the safety function perceived by the connected transmitter.

Fault signal in case of malfunction

Possible fault currents:

- $\leq 3,6$ mA ("fail low")
- > 21 mA ("fail high")

3.3 SIL2 application for 1oo1 architecture

SIL2 qualification

SIL2 can be reached through a single-channel architecture consisting of:

- a VEGATRENN 141 or
- a VEGATRENN 142, where one of the channels is used for the safety function

3.4 SIL3 application for 1oo2 architecture

SIL3 application

SIL3 can be reached through a double-channel architecture consisting of:

- two VEGATRENN 141 or
- a VEGATRENN 142, where two channels is used redundantly for the safety function acc. to the following procedure:

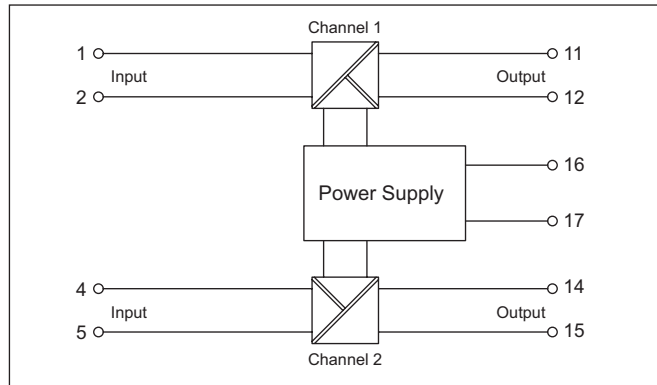


Fig. 1: SIL3 application for 1oo2 architecture



If VEGATRENN 142 is used, then the failure rates "Power Supply" are influencing the PFD calculation as 1oo1 share and the failure rates "OneChannel" as 1oo2 share.

In any case, "failures caused by hardware due to common cause" must be taken into account.

Number values see chapter "Safety-related characteristics".

3.5 Prerequisites for operation

Instructions and restrictions

- The measuring system should suit the application. The application-specific limits must be maintained
- The specifications according to the operating instructions manual, particularly the current load on the output circuits, must be kept within the specified limits
- The installation site must comply with IP54 protection
- All parts of the measuring chain must correspond to the planned "Safety Integrity Level (SIL)"

Boundary conditions relating to transmitters

The transmitter used, must output an error current if it is powered by a voltage outside its voltage range.

Boundary conditions relating to the configuration of the processing unit

A connected control and processing unit must have the following properties:

- The failure signals of the measuring system are judged according to the idle current principle
- "fail low" and "fail high" signals are interpreted as a failure, whereupon the safe state must be taken on

If this is not the case, the respective percentages of the failure rates must be assigned to the dangerous failures and the values stated in chapter "Safety-related characteristics" redetermined!

Configuration of the processing unit for the 1oo2 architecture

A connected control and processing unit must compare the measured values of the two channels up to max. 2 % difference. The safe state must be taken on in case of a higher difference.



For instruments with UL or CSA approval, an overvoltage arrester must be connected with networks of overvoltage category III and supply voltages of more than 150 V.

4 Safety-related characteristics

4.1 Characteristics acc. to IEC 61508 for 1oo1 architecture

VEGATRENN 141

1oo1 architectures, see chapter "SIL2 application for 1oo1 architecture"

| Parameter | Value |
|--------------------------|--|
| Safety Integrity Level | SIL2 in single-channel architecture SIL3 in multiple channel architecture ¹⁾ |
| Hardware fault tolerance | HFT = 0 |
| Instrument type | Type A |
| Mode | Low demand mode, High demand mode |
| SFF | > 60 % |
| MTBF ²⁾ | 1.71 x 10 ⁶ h (195 years) |

Failure rates

| λ_s | λ_{DD} | λ_{DU} | λ_H | λ_L |
|-------------|----------------|----------------|-------------|-------------|
| 30 FIT | 45 FIT | 43 FIT | 6 FIT | 210 FIT |



For calculation of PFD_{AVG}, the failure rates λ_H and λ_L are assigned to category λ_{DD} .

| | | |
|--------------------|------------------------------|----------------|
| PFD _{AVG} | 0.021 x 10 ⁻² | (T1 = 1 year) |
| PFD _{AVG} | 0.040 x 10 ⁻² | (T1 = 2 years) |
| PFD _{AVG} | 0.096 x 10 ⁻² | (T1 = 5 years) |
| PFH | 0.043 x 10 ⁻⁶ 1/h | |

Proof Test Coverag (PTC)

| Test type ³⁾ | Remaining failure rate of dangerous undetected failures | PTC |
|-------------------------|---|------|
| Test 1 | 0 FIT | 99 % |

One channel of VEGATRENN 142

| Parameter | Value |
|--------------------------|--|
| Safety Integrity Level | SIL2 in single-channel architecture SIL3 in multiple channel architecture ⁴⁾ |
| Hardware fault tolerance | HFT = 0 |
| Instrument type | Type A |

¹⁾ Homogeneous redundancy possible, because systematic capability SC3.

²⁾ Including errors outside the safety function.

³⁾ See section "Proof test".

⁴⁾ Homogeneous redundancy possible, because systematic capability SC3.

| Parameter | Value |
|--------------------|--------------------------------------|
| Mode | Low demand mode, High demand mode |
| SFF | > 60 % |
| MTBF ⁵⁾ | 1.78 x 10 ⁶ h (204 years) |

Failure rates

| λ_s | λ_{DD} | λ_{DU} | λ_H | λ_L |
|-------------|----------------|----------------|-------------|-------------|
| 32 FIT | 23 FIT | 43 FIT | 6 FIT | 199 FIT |



For calculation of PFD_{AVG}, the failure rates λ_H and λ_L are assigned to category λ_{DD} .

| | | |
|--------------------|------------------------------|----------------|
| PFD _{AVG} | 0.021 x 10 ⁻² | (T1 = 1 year) |
| PFD _{AVG} | 0.040 x 10 ⁻² | (T1 = 2 years) |
| PFD _{AVG} | 0.096 x 10 ⁻² | (T1 = 5 years) |
| PFH | 0.043 x 10 ⁻⁶ 1/h | |

Proof Test Coverage (PTC)

| Test type ⁶⁾ | Remaining failure rate of dangerous undetected failures | PTC |
|-------------------------|---|------|
| Test 1 | 0 FIT | 99 % |

4.2 Characteristics acc. to ISO 13849-1

The VEGATRENN 14* has been manufactured and verified using principles that demonstrate its suitability and reliability for safety-related applications. It can therefore be considered a "proven component" according to DIN EN ISO 13849-1.

VEGATRENN 141

Derived from the safety-related characteristics, the following figures result according to ISO 13849-1 machine safety): ⁷⁾

| Parameter | Value |
|-----------|-----------|
| MTTFd | 379 years |
| DC | Average |
| Category | Cat. 2 |

One channel of VEGATRENN 142

Derived from the safety-related characteristics, the following figures result according to ISO 13849-1 machine safety): ⁸⁾

| Parameter | Value |
|-----------|-----------|
| MTTFd | 421 years |

⁵⁾ Including errors outside the safety function.

⁶⁾ See section "Proof test".

⁷⁾ ISO 13849-1 was not part of the certification of the instrument.

⁸⁾ ISO 13849-1 was not part of the certification of the instrument.

| Parameter | Value |
|-----------|--------|
| DC | Low |
| Kategorie | Cat. 2 |

4.3 Characteristics acc. to IEC 61508 for 1oo2 architecture

VEGATRENN 142

Scheme for the 1oo2 architecture of VEGATRENN 142, see chapter "SIL3 application for 1oo2 architecture"

| Parameter | Power supply | OneChannel | 1oo2 architecture |
|-----------------------|-------------------------------------|-----------------------------|-----------------------------|
| SIL | SIL2 / SIL3 | SIL2 | SIL3 |
| HFT | HFT = 0 | HFT = 1 | |
| Instrument type | Type A | Type A | Type A |
| Mode | Low demand mode, High demand mode | | |
| SFF | 100 % | 82 % | |
| MTBF ⁹⁾ | 1.0 x 10 ⁶ h (113 years) | | |
| λ_s | 0 FIT | 30 FIT | |
| λ_{DD} | 1 FIT | 22 FIT | |
| λ_{DU} | 0 FIT | 43 FIT | |
| λ_H | 0 FIT | 6 FIT | |
| λ_L | 59 FIT | 140 FIT | |
| PFDAVG (T1 = 1 year) | 0.05 x 10 ⁻⁵ | 1.04 x 10 ⁻⁵ | 1.09 x 10 ⁻⁵ |
| PFDAVG (T1 = 2 years) | 0.05 x 10 ⁻⁵ | 1.99 x 10 ⁻⁵ | 2.04 x 10 ⁻⁵ |
| PFDAVG (T1 = 5 years) | 0.06 x 10 ⁻⁵ | 4.89 x 10 ⁻⁵ | 4.95 x 10 ⁻⁵ |
| PFH | 0.005 x 10 ⁻⁹ 1/h | 2.17 x 10 ⁻⁹ 1/h | 2.18 x 10 ⁻⁹ 1/h |
| PTC | | | 99 % |



The specified characteristics apply to the SIL application described in section 3.4 if the two channels of VEGATRENN 142 are used. Requirement is that the connected control and processing unit compares the measured values of the two channels to max. 2 % difference.

For calculation of SFF, PFDAVG and PFH, the failure rates λ_H and λ_L are assigned to category λ_{DD} .

The characteristics PFDAVG and PFH for the 1oo2 architecture are the result of the addition of the values of "Power Supply" and "OneChannel".

⁹⁾ Including errors outside the safety function.

Determination of the failure rates

4.4 Supplementary information

The failure rates of the instruments were determined by an FMEDA according to IEC 61508. The calculations are based on failure rates of the components according to **SN 29500**:

All figures refer to an average ambient temperature of 40 °C (104 °F) during the operating time. For higher temperatures, the values should be corrected:

- Continuous application temperature > 50 °C (122 °F) by factor 1.3
- Continuous application temperature > 60 °C (140 °F) by factor 2.5

Similar factors apply if frequent temperature fluctuations are expected.

Assumptions of the FMEDA

- The failure rates are constant. Take note of the useful service life of the components according to IEC 61508-2.
- Multiple failures are not taken into account
- Wear on mechanical parts is not taken into account
- Failure rates of external power supplies are not taken into account
- The environmental conditions correspond to an average industrial environment

Calculation of PFD_{AVG}

The values for PFD_{AVG} specified above were calculated as follows for a 1oo1 architecture:

$$PFD_{AVG} = \frac{PTC \times \lambda_{DU} \times T1}{2} + \lambda_{DD} \times MTTR + \frac{(1 - PTC) \times \lambda_{DU} \times LT}{2}$$

Parameters used:

- T1 = Proof Test Interval
- PTC = 99 %
- LT = 10 years
- MTTR = 8 h

Calculation of PFD_{AVG} and PFH for the 1oo2 architecture

The characteristics for the share "OneChannel" are calculated as follows:

- PFD_{AVG} acc. to IEC 61508-6, B.3.2.5
- PFH acc. to IEC 61508-6, B.3.3.2.2

Parameters used:

- T1 = Proof Test Interval
- PTC = 99 %
- T2 = LT = 10 years
- MTTR = MRT = 8 h
- β = β_D = 5 %

Multiple channel architecture

Due to the systematic capability SC3, this instrument can also be used in multiple channel systems up to SIL3, also with a homogeneously redundant configuration.

The safety-related characteristics must be calculated especially for the selected structure of the measuring chain using the stated failure rates. In doing this, a suitable Common Cause Factor (CCF) must be considered (see IEC 61508-6, appendix D).

5 Setup

5.1 General information

Mounting and installation Take note of the mounting and installation instructions in the operating instructions manual.

Setup must be carried out under process conditions.

5.2 Adjustment instructions

Adjustment elements There are no adjustment elements available.

6 Diagnostics and servicing

6.1 Behaviour in case of failure

When a malfunction was detected, a fault signal is output on the current output (see section " *Safe state*").

SIL

If failures are detected, the entire measuring system must be shut down and the process held in a safe state by other measures.

The manufacturer must be informed of the occurrence of a dangerous undetected failure (incl. fault description).

6.2 Repair

Defective instruments can only be repaired by the manufacturer.

7 Proof test

7.1 General information

Objective

To identify possible dangerous, undetected failures, the safety function must be checked by a proof test at adequate intervals. It is the user's responsibility to choose the type of testing. The time intervals are determined by the selected PFD_{AVG} (see chapter "Safety-related characteristics").

For documentation of these tests, the test protocol in the appendix can be used.

If one of the tests proves negative, the entire measuring system must be switched out of service and the process held in a safe state by means of other measures.

In a multiple channel architecture this applies separately to each channel.

Preparation

- Determine safety function (mode, switching points)
- If necessary, remove the instruments from the safety chain and maintain the safety function by other means

Unsafe device status



Warning:

During the function test, the safety function must be treated as unreliable. Take into account that the function test influences downstream connected devices.

If necessary, you must take other measures to maintain the safety function.

After the function test, the status specified for the safety function must be restored.

7.2 Test 1 - with input current simulation

Conditions

- Possibility of sensor current simulation exists
- Output signals correspond to the current process variable

Procedure

1. Simulate the currents ≤ 3.6 mA, 4 mA, 12 mA, 20 mA, > 21 mA on the sensor input
2. Check output current

Expected result

The output current corresponds to the simulated input currents (tolerances see operating instructions)

Proof Test Coverage

See *Safety-related characteristics*

8 Appendix A - Test report

| Identification | |
|----------------------------|--|
| Company/Tester | |
| Plant/Instrument TAG | |
| Meas. loop TAG | |
| Instrument type/Order code | |
| Instrument serial number | |
| Date, setup | |
| Date, last function test | |

| Test reason | |
|--------------------|------------|
| (...) | Setup |
| (...) | Proof test |

| Operating mode channel 1 | | Operating mode channel 2 | |
|---------------------------------|------------------|---------------------------------|------------------|
| (...) | Max. | (...) | Max. |
| (...) | Min. | (...) | Min. |
| (...) | Range monitoring | (...) | Range monitoring |

| Test result | | | | |
|--------------------|----------------------|-------------|----------------------|-------------|
| Test point | Real value channel 1 | Test result | Real value channel 2 | Test result |
| ≤ 3.6 mA | | | | |
| 4 mA | | | | |
| 12 mA | | | | |
| 20 mA | | | | |
| > 21 mA | | | | |

| Confirmation | |
|---------------------|------------|
| Date: | Signature: |

9 Appendix B - Term definitions

Abbreviations

| | |
|----------------|---|
| SIL | Safety Integrity Level (SIL1, SIL2, SIL3, SIL4) |
| SC | Systematic Capability (SC1, SC2, SC3, SC4) |
| HFT | Hardware Fault Tolerance |
| SFF | Safe Failure Fraction |
| PFD_{AVG} | Average Probability of dangerous Failure on Demand |
| PFH | Average frequency of a dangerous failure per hour (Ed.2) |
| FMEDA | Failure Mode, Effects and Diagnostics Analysis |
| FIT | Failure In Time (1 FIT = 1 failure/10 ⁹ h) |
| λ_{SD} | Rate for safe detected failure |
| λ_{SU} | Rate for safe undetected failure |
| λ_S | $\lambda_S = \lambda_{SD} + \lambda_{SU}$ |
| λ_{DD} | Rate for dangerous detected failure |
| λ_{DU} | Rate for dangerous undetected failure |
| λ_H | Rate for failure, who causes a high output current (> 21 mA) |
| λ_L | Rate for failure, who causes a low output current (≤ 3.6 mA) |
| λ_{AD} | Rate for diagnostic failure (detected) |
| λ_{AU} | Rate for diagnostic failure (undetected) |
| DC | Diagnostic Coverage |
| PTC | Proof Test Coverage (Diagnostic coverage for manual proof tests) |
| T1 | Proof Test Interval |
| LT | Useful Life Time |
| MTBF | Mean Time Between Failure = MTTF + MTTR |
| MTTF | Mean Time To Failure |
| MTTR | IEC 61508, Ed1: Mean Time To Repair IEC 61508, Ed2: Mean Time To Restoration |
| $MTTF_d$ | Mean Time To dangerous Failure (ISO 13849-1) |
| PL | Performance Level (ISO 13849-1) |

10 Supplement C - SIL conformity

Certificate



Nr./No.: 968/FSP 1256.01/20

| | | | |
|--|--|--|---|
| Prüfgegenstand Product tested | Speisetrenner für 4..20mA Sensoren Separator for 4..20mA Sensors | Zertifikats- inhaber Certificate holder | VEGA Grieshaber KG Am Hohenstein 113 77761 Schiltach Germany |
| Typbezeichnung Type designation | VEGATRENN 141, VEGATRENN 142 | | |
| Prüfgrundlagen Codes and standards | IEC 61508 Parts 1-7:2010 | IEC 61010-1:2017 | |
| Bestimmungsgemäße Verwendung Intended application | <p>Die Speisetrenner VEGATRENN 141/142 erfüllen die Anforderungen entspr. SIL 2 / SC 3 gemäß IEC 61508 und können in einem sicherheitsbezogenen System eingesetzt werden:</p> <ul style="list-style-type: none"> - bis SIL 2 (VEGATRENN 141 oder 142) (HFT=0) bzw. - bis SIL 3 bei Verwendung der 2 Kanäle des VEGATRENN 142 alternativ 2x VEGATRENN 141 oder 142 <p>Die Produkte wurden auch in Bezug auf die anwendbaren Anforderungen der IEC 61511-1:2017 überprüft und können im Anwendungsbereich der IEC 61511-1:2017 verwendet werden.</p> <p>The Separators VEGATRENN 141/142 comply with the requirements of SIL 2 / SC 3 acc. to IEC 61508 and can be used in a safety-related system:</p> <ul style="list-style-type: none"> - up to SIL 2 (VEGATRENN 141 or 142) (HFT=0) resp. - up to SIL 3 when using the 2 channels of VEGATRENN 142, alternatively 2x VEGATRENN 141 or 142 <p>The products were also reviewed in reference to the requirements of IEC 61511-1:2017 applicable during a type examination and can be used in application as such.</p> | | |
| Besondere Bedingungen Specific requirements | <p>Die zugehörigen Betriebsanleitungen und das Safety Manual sind zu beachten. Ausgangsströme <3,6mA und >21mA müssen von dem nachgeschalteten Sicherheitsgerät als Fehler behandelt werden. In SIL 3 Anwendungen müssen die Ströme der 2 Ausgangskanäle verglichen und Unterschiede ≥2% müssen als Fehler behandelt werden.</p> <p>The operating instructions and the safety manual shall be considered. Output currents <3.6mA and >21mA have to be considered by the downstream safety device as a failure condition. In SIL 3 applications the currents of the two channels have to be compared and a deviation of ≥ 2% has to be considered as a failure.</p> | | |

Gültig bis / Valid until 2025-09-03

Der Ausstellung dieses Zertifikates liegt eine Prüfung zugrunde, deren Ergebnisse im Bericht Nr. 968/FSP 1256.01/20 vom 03.09.2020 dokumentiert sind.

Dieses Zertifikat ist nur gültig für Erzeugnisse, die mit dem Prüfgegenstand übereinstimmen.

The issue of this certificate is based upon an examination, whose results are documented in Report No. 968/FSP 1256.01/20 dated 2020-09-03.

This certificate is valid only for products which are identical with the product tested.

TÜV Rheinland Industrie Service GmbH
Bereich Automation
Funktionale Sicherheit
Am Grauen Stein, 51105 Köln
Certification Body Safety & Security for Automation & Grid

Köln, 2020-09-03

GSO B
Dipl.-Ing. Gebhard Bouwer

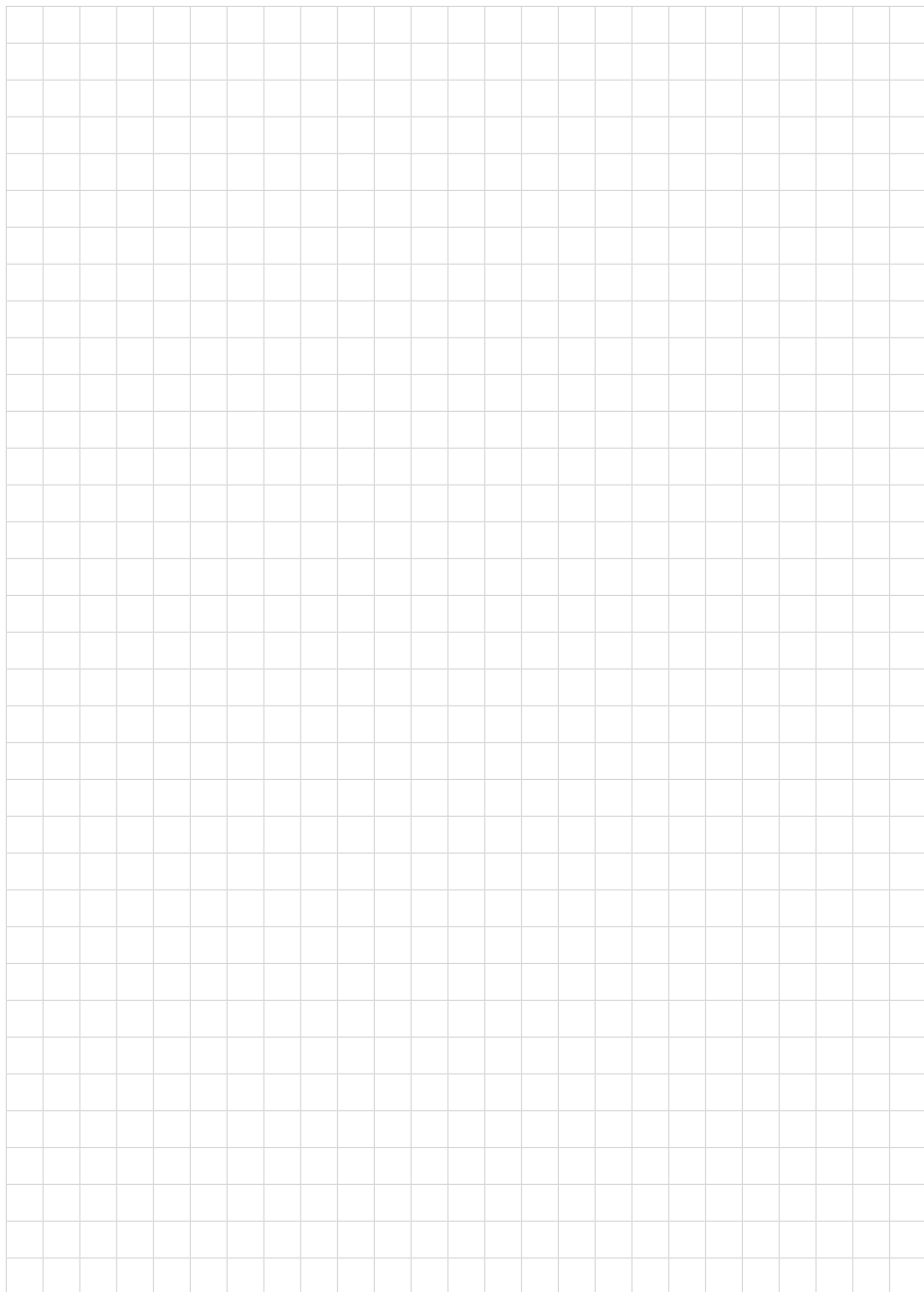
www.fs-products.com
www.tuv.com

 **TÜVRheinland®**
Precisely Right.

TÜV Rheinland Industrie Service GmbH, Am Grauen Stein, 51105 Köln / Germany
Tel.: +49 221 806-1790, Fax: +49 221 806-1538, E-Mail: industrie.service@de.tuv.com

10/22 12_12 E 44 © TÜV, TÜV and TÜV are registered trademarks. Utilisation and application requires prior approval.

52434-EN-210505



52434-EN-210505

Printing date:

VEGA

All statements concerning scope of delivery, application, practical use and operating conditions of the sensors and processing systems correspond to the information available at the time of printing.

Subject to change without prior notice

© VEGA Grieshaber KG, Schiltach/Germany 2021



52434-EN-210505

VEGA Grieshaber KG
Am Hohenstein 113
77761 Schiltach
Germany

Phone +49 7836 50-0
E-mail: info.de@vega.com
www.vega.com