



VEGATRUCK

Level and pressure on tour

VEGA HOME
OF VALUES

HOW VEGATRUCK ANSWERS YOUR APPLICATION QUESTIONS

When trade fair visits or product training sessions merge with good personal discussions in a meaningful way, learning becomes effective. VEGATRUCK brings exactly that to your place of business.

When VEGATRUCK arrives, it brings along with it a mobile classroom and exhibition booth complete with wide-screen presentations and models of real applications. In it, you can not only take hold of the sensors and examine them, but also test the set up solutions and networking options live.

Your teams, whether large or small, can choose to experience an **IN-HOUSE EXHIBITION**, a **TRAINING COURSE**, a **SUPPLEMENTARY SEMINAR**, an unforgettable **EVENT** or simply a nice **GET-TO-KNOW-YOU SESSION**.

The choice is yours – and you save yourself the hassle of attending a trade fair or seminar at some faraway place.





WHY DO WE COME TO YOU?

Although there is a lot of stuff to do and see at trade fairs or special events, there is also a flood of information there. The advantage of VEGATRUCK is that it allows us to respond to the wishes and needs of small groups. We reach you as a customer directly and we have time.

We deliver concentrated application and industry knowledge, and help you absorb it on the spot. Especially if we have already agreed on the topics and content in advance. It's a simple fact that good collaboration is empowered through personal acquaintance, trust and reliability.



THE BEST DISCUSSIONS TAKE PLACE IN THE KITCHEN

Optimising processes, reliably monitoring all functions, communicating with equipment intelligently via smartphone or tablet – or even from the kitchen table. VEGA has exactly the right sensors and systems for these challenging tasks. And while enjoying a good cup of coffee, you can test VEGA sensors exactly where you will ultimately use them: In your own plant, your own processes, which we realistically recreate in our exhibition models.

By the way: VEGA consultants are always on board and happy to sit down together with you to develop new ideas and find the best solutions.



We serve a customised product menu. You decide which VEGA products or technologies VEGATRUCK should bring along with it. Is there only time for a coffee or can it take longer?



WE GET THINGS MOVING

We create an atmosphere that makes your participants in product training, your employees and your guests feel comfortable. Here we present the sensor solutions of tomorrow, today: digitisation and automation that exactly fit your application. Our formula: Technical experts on site, functional applications, multimedia communication – and an experience that will be remembered.

38 TONS, 17 METERS long and 8 METERS wide when fully extended:
These are the key technical data of VEGATRUCK.



THE LEAST WE CAN DO FOR YOU IS ...

... make the time you spend with us worth your while.



BOOKING VEGATRUCK IS EASY

You want to train and motivate your employees? You want to communicate technical solutions masterfully and get them to stick in the hearts and minds of those present? Then book VEGATRUCK. We go to any place where a truck can be parked – without a lot of fuss or red tape, and at no cost to you.

ON YOUR MARKS ...

Decide where you want the truck to park. The illustration on the right explains everything else.

GET SET ...

Call us and make an appointment. Your VEGA sales representative is your contact person.

GO!

Let us know what training topics you want covered, what applications you want to focus on and what your catering wishes are.



TECHNICAL INFORMATION

These are the requirements for a visit by VEGATRUCK:

VEHICLE ACCESS

The access road should be at least 4 m wide with 4 m high clearance, provide sufficient room to manoeuvre and have no through traffic.

DIMENSIONS OF VEGATRUCK

Total length: 17 m

Length of the trailer: 11.78 m

Height: 4 m

Width (with extended side parts): 8 m

Weight: 38 t

PREPARATION

Prior to the actual event, VEGATRUCK requires a setup and lead time of about 2.5 hours (from the time of its arrival). If an event is to take place early in the morning, VEGATRUCK should arrive on the evening before.

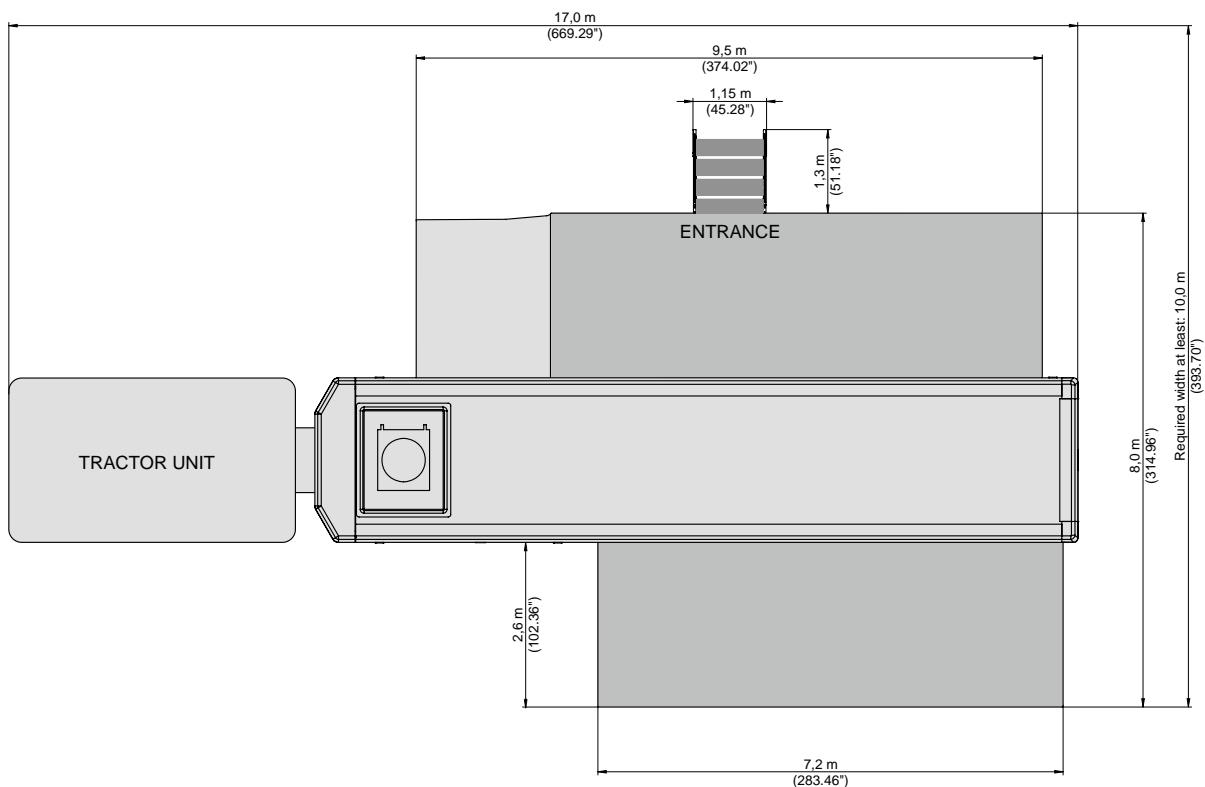
PARKING SPOT

The parking spot should be level and firm and within walking distance for visitors. There should be as little ambient noise as possible in the area. Furthermore, there should be no manholes or shafts in the ground at or in close proximity to the site.

If your company's own grounds do not meet these requirements, you might be able to find a nearby public venue or hotel parking lot that would provide enough space for us to set up VEGATRUCK.

If a high-voltage current source (380 V) is available on site, we would gladly make use of it. If not: No problem! For such cases VEGATRUCK has a generator on board.

We bring along with us all the fresh water and process water we need for our models. Neither a water connection nor a drain for wastewater is required at the site.





VEGA Grieshaber KG
Am Hohenstein 113
77761 Schiltach
Germany

Phone +49 7836 50-0
E-mail info.de@vega.com
www.vega.com

VEGA HOME
OF VALUES